

1

2

3

4

A

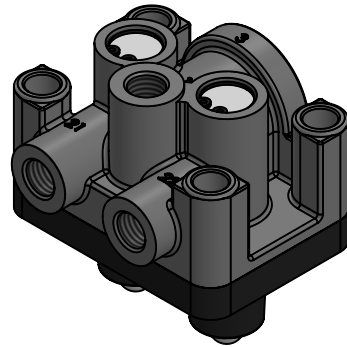
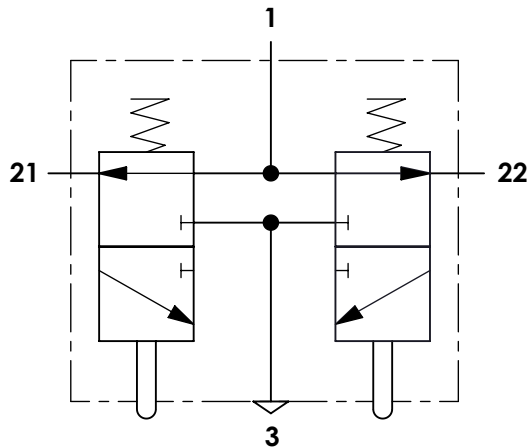
Technical sheet / Datos técnicos:

A

Part number adaptable to / Referencia adaptable a	0012608457
Operating pressure / Presión de trabajo	max. 10 bar
Permissible medium / Medio de funcionamiento	Air / Aire
Operating temperature range / Rango de temperatura	-20°C to / a +150°C
Weight / Peso	600 gr

B

B



C

C

D

D

Port / Conexión	Function / Función	Thread / Rosca
1	Supply / Alimentación	M12x1,5
21	Delivery / Salida	M12x1,5
22	Delivery / Salida	M12x1,5
3	Exhaust / Escape	-

E

E

Installation requirements / Requisitos para la instalación:

Mounting is accomplished with four screws M8. / El montaje se realiza mediante cuatro tornillos M8.

F

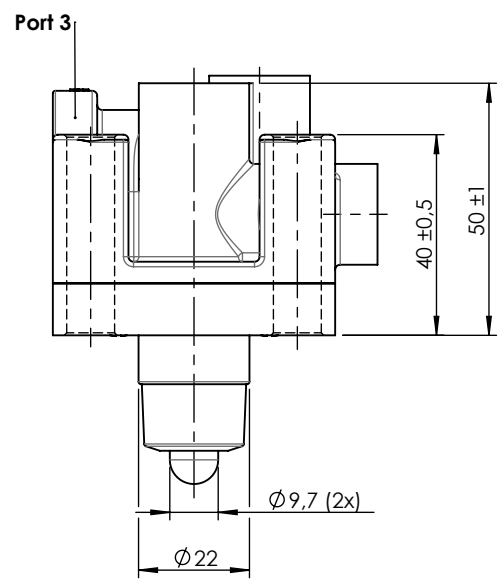
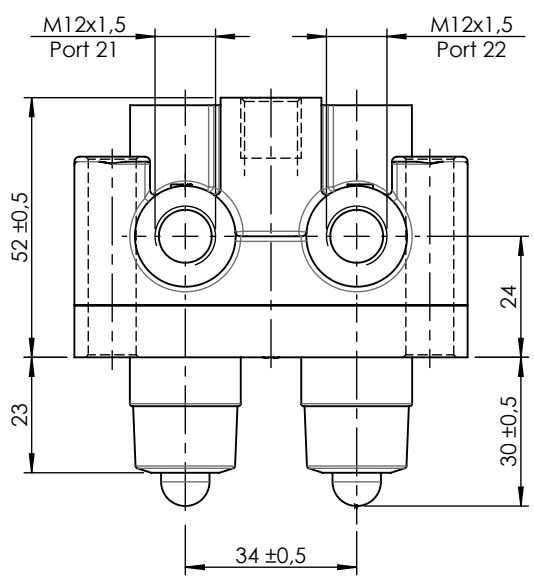
F

Modification	4				Drawn		
	3				22/01/18 S.Y.		
	2				Checked		
	1				22/01/18 O.V.		
	nº	Modified	Date	Reason	General Tolerance		Assembly
Comments					-	Part name	Gearbox valve
					Material	ID. Reference	2816010
					-	Scale: -	
					-	Review: 0	

1 2 3 4

A

A

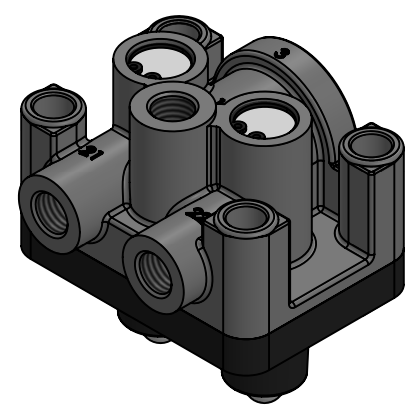
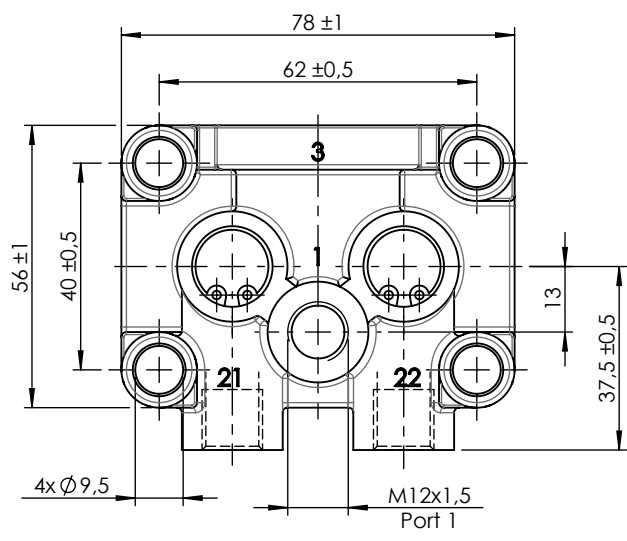


B

B

C

C



D

D

E

E

F	Modification	4				Drawn		F
		3				22/01/18 S.Y.		
		2				Checked		
		1				22/01/18 O.V.		
		nº	Modified	Date	Reason	General Tolerance		
Comments					ISO 2768 c-K	Part name	Gearbox valve	
					Material	ID. Reference	2816010	
					-	Scale: 2/3		Sheet 2/2
					-	Review: 0		