

1

2

3

4

A

**Technical sheet / Datos técnicos:**

A

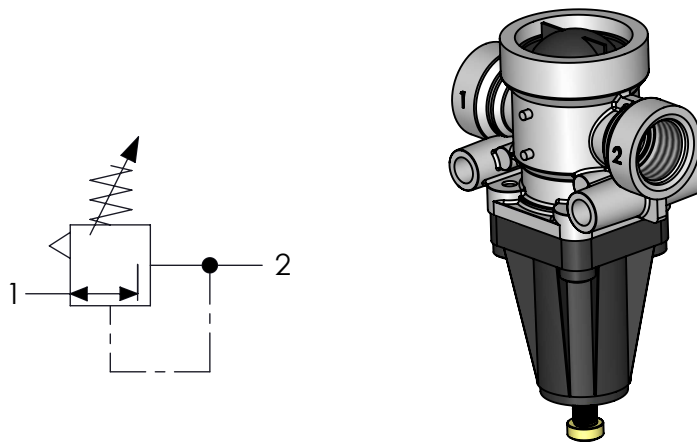
|  |                    |
|--|--------------------|
| Part number adaptable to / Referencia adaptable a  | 4750103010         |
| Operating pressure / Presión de trabajo  | max. 20 bar        |
| Nominal supply diameter / Diámetro nominal de alimentación   | Ø10 mm             |
| Nominal exhaust diameter / diámetro nominal de escape  | Ø4 mm              |
| Outlet pressure (at a supply pressure of 12.5 bar) / Presión entregada (a una presión de alimentación de 12.5 bar) | 10 bar             |
| Permissible medium / Medio de funcionamiento   | Air / Aire         |
| Operating temperature range / Rango de temperatura   | -40°C to / a +80°C |
| Weight / Peso  | 360 gr             |

B

B

C

C



D

D

| Port / Conexión | Function / Función    | Thread / Rosca |
|-----------------|-----------------------|----------------|
| 1               | Supply / Alimentación | M22x1.5 VOSS   |
| 2               | Delivery / Salida     | M22x1.5 VOSS   |
| 3               | Exhaust / Escape      | -              |

**Purpose / Propósito:** To keep a constant and limited outlet pressure. / Mantener una presión de salida constante y limitada.

**Installation requirements / Requisitos para la instalación:** To install the valve with the exhaust port facing downwards. The valve must be installed using two screws M8. / Instalar la válvula con el escape orientado hacia abajo. La válvula debe ser instalada utilizando dos tornillos M8.

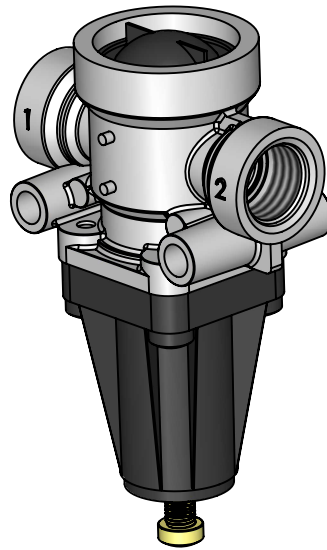
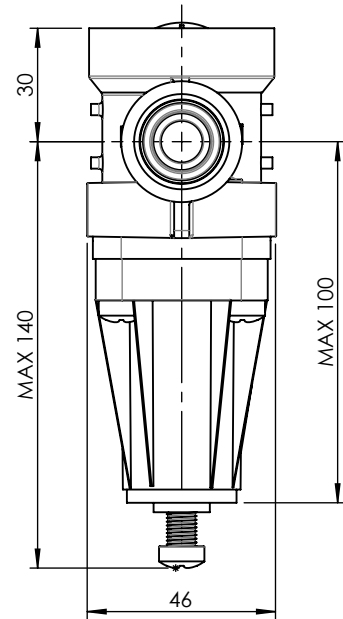
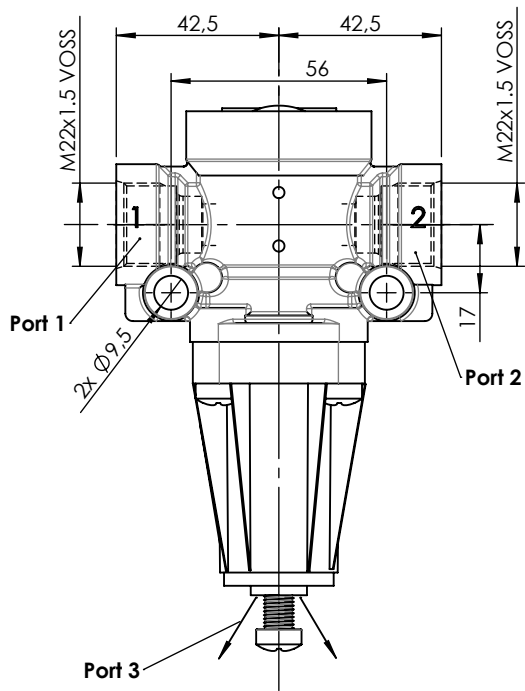
E


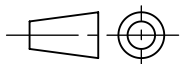
E

F

F

|              |    |          |      |        |                   |               |                         |           |
|--------------|----|----------|------|--------|-------------------|---------------|-------------------------|-----------|
| Modification | 4  |          |      |        | Drawn             |               |                         |           |
|              | 3  |          |      |        | 24/11/20 S.F.     |               |                         |           |
|              | 2  |          |      |        | Checked           |               |                         |           |
|              | 1  |          |      |        | 24/11/20 O.V.     |               |                         |           |
|              | nº | Modified | Date | Reason | General Tolerance |               | Assembly                | -         |
| Comments     |    |          |      |        | -                 | Part name     | Pressure limiting valve |           |
|              |    |          |      |        | Material          | ID. Reference | 2223143                 |           |
|              |    |          |      |        | -                 | Scale: -      |                         | Sheet 1/2 |
|              |    |          |      |        | -                 | Review: 0     |                         |           |



|          |              |          |      |        |                   |               |   |
|----------|--------------|----------|------|--------|-------------------|---------------|---|
| F        | Modification | 4        |      |        |                   | Drawn         |  |
|          |              | 3        |      |        |                   | 24/11/20 S.F. |   |
|          |              | 2        |      |        |                   | Checked       |   |
|          |              | 1        |      |        |                   | 24/11/20 O.V. |   |
|          | nº           | Modified | Date | Reason | General Tolerance | Assembly      |   |
| Comments |              |          |      |        | ISO 2768 c-K      | Part name     | Pressure limiting valve   |
|          |              |          |      |        | Material          | ID. Reference | 2223143   |
|          |              |          |      |        | -                 | Scale: 1/2    |  |
|          |              |          |      |        | -                 | Review: 0     |   |