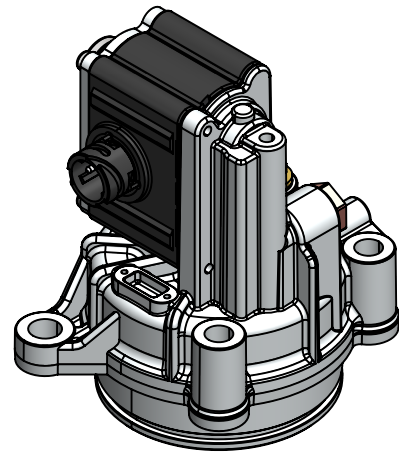
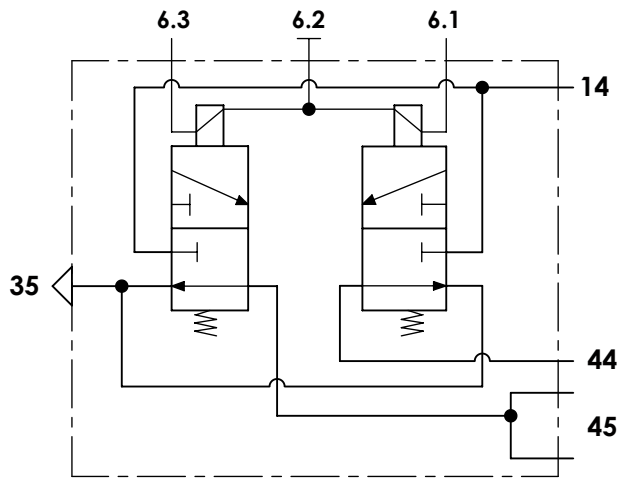


A Technical sheet / Datos técnicos:

Part number adaptable to / Referencia adaptable a	4724000700
Operating pressure / Presión de trabajo	max. 10 bar
Voltage / Voltaje	24 V
Permissible medium / Medio de funcionamiento	Air / Aire
Operating temperature range / Rango de temperatura	-25 °C to / a +120 °C
Weight / Peso	1600 gr

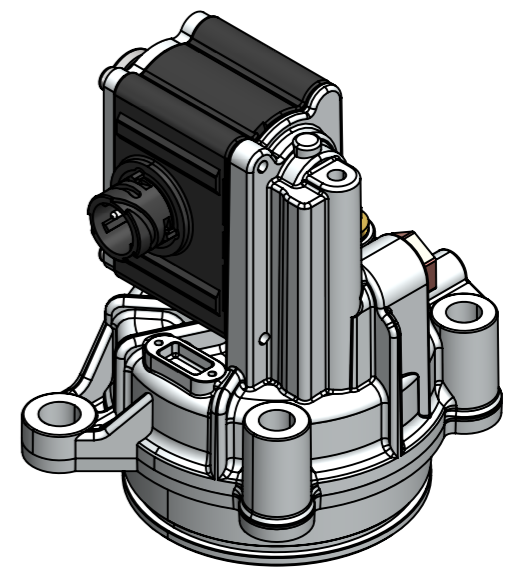
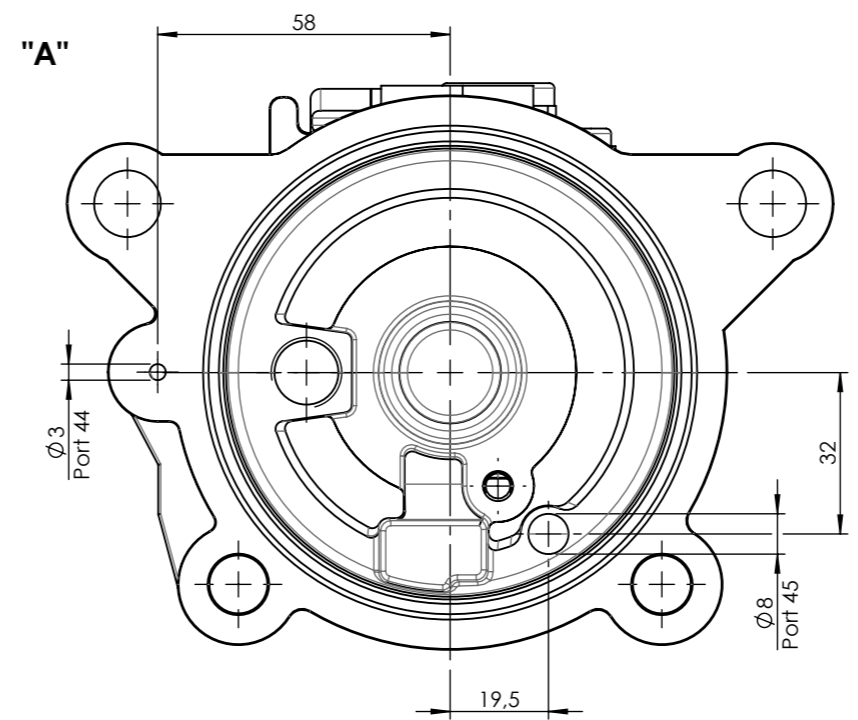
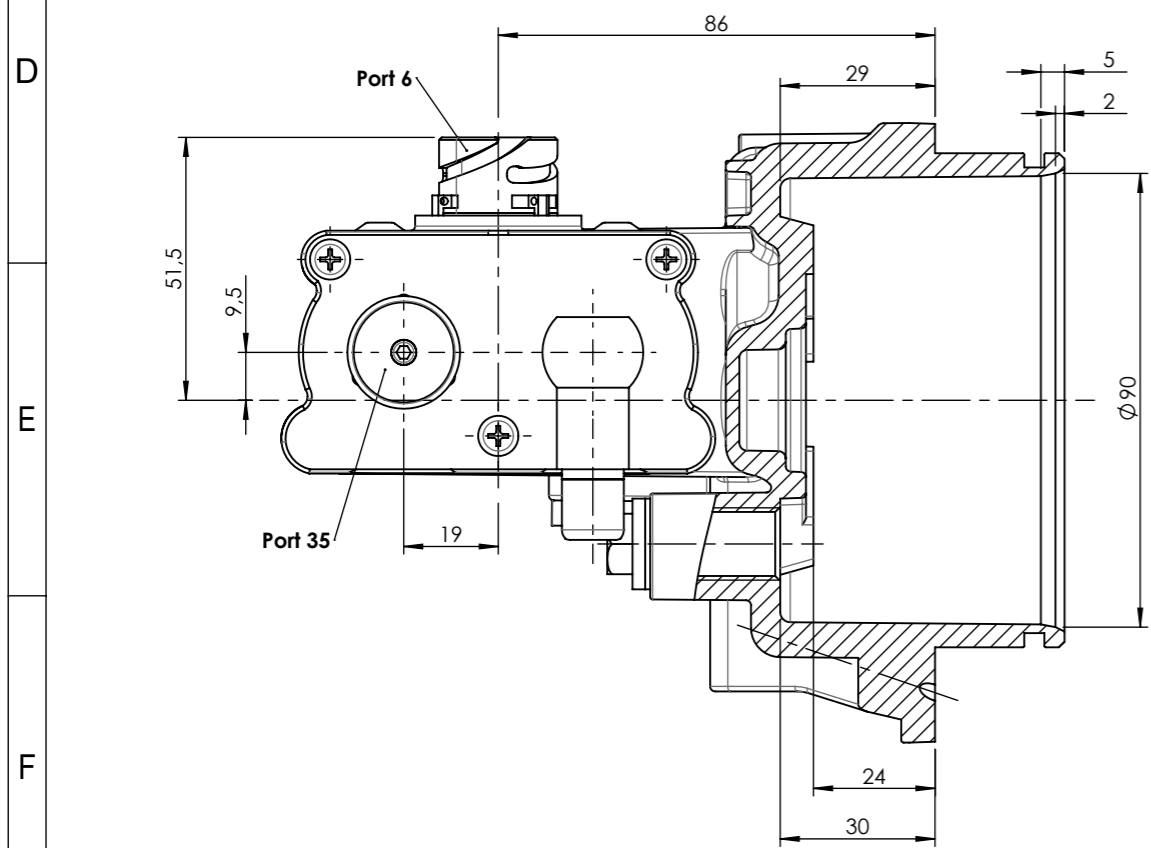
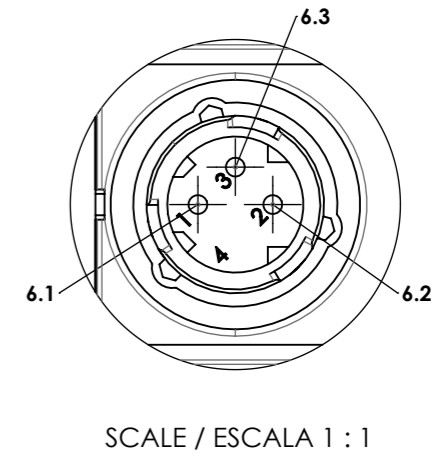
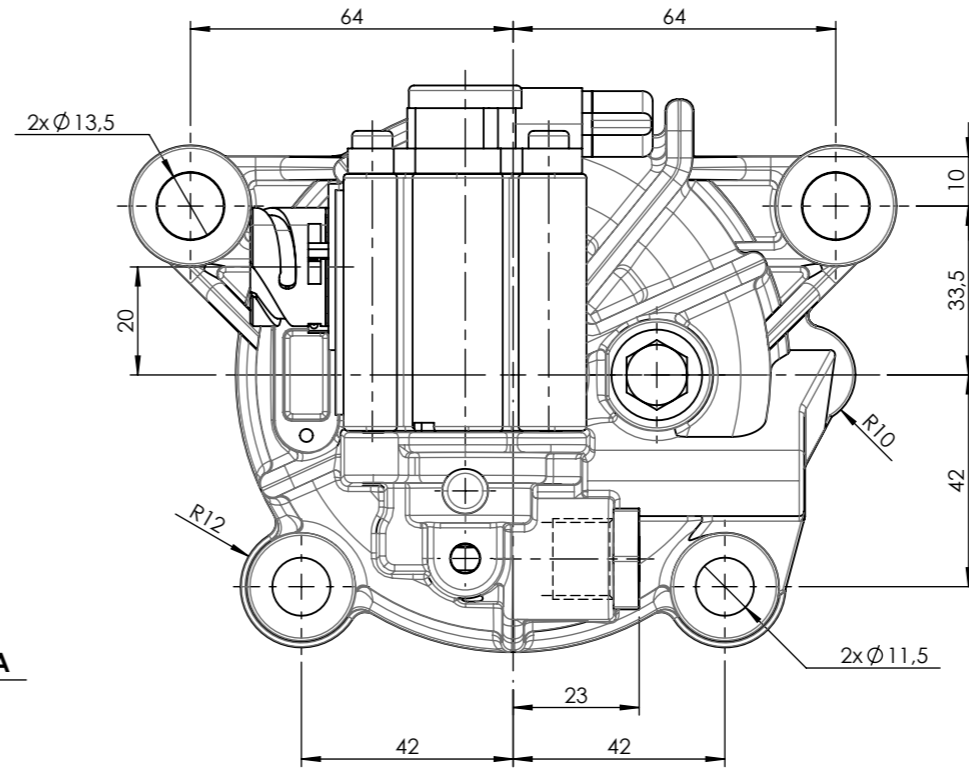
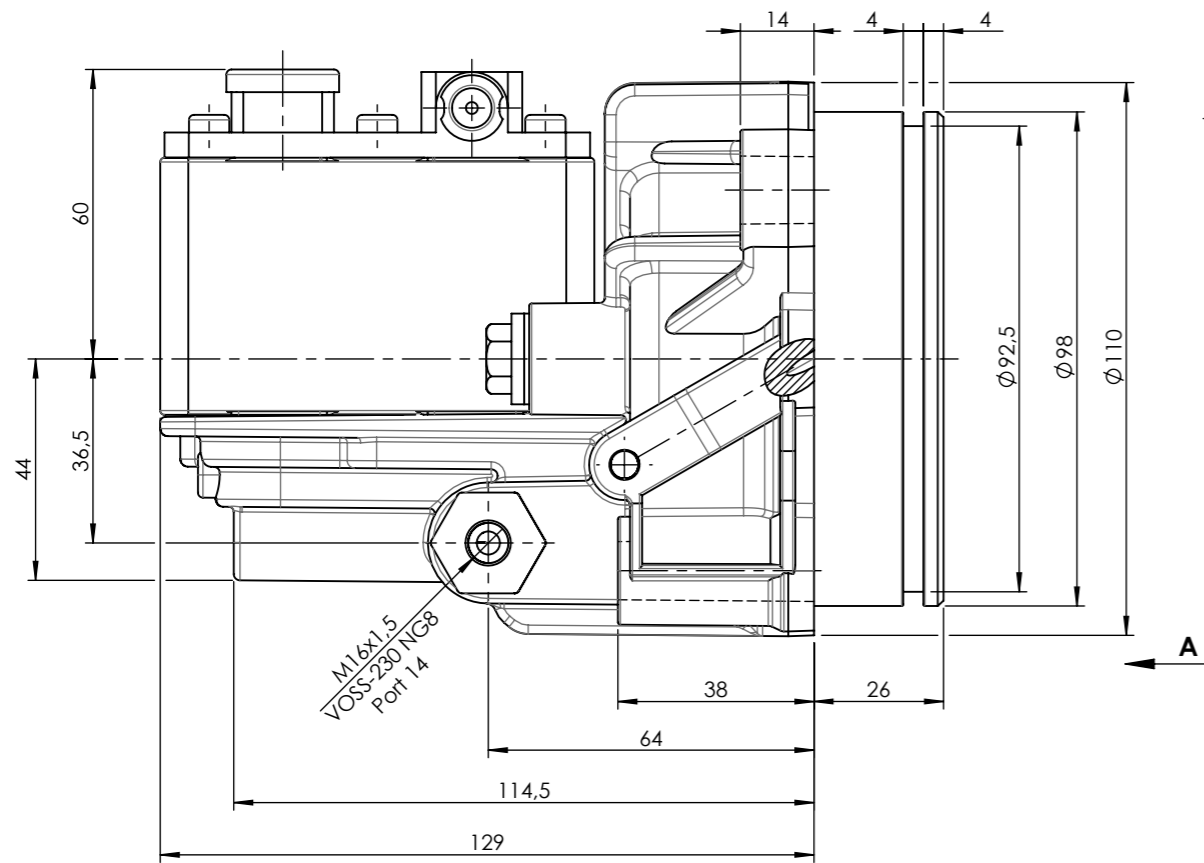


Port / Conexión	Function / Función	Thread / Rosca
14	Supply / Alimentación	M16x1,5 + Adapter/Adaptador VOSS-230 NG8
44	Delivery / Salida	Ø3 mm
45	Delivery / Salida	Ø8 mm
35	Exhaust / Escape	-
6	Electrical connection / Conexión eléctrica	Bayonet DIN 72585 A1-3

E Installation requirements / Requisitos para la instalación:

Mounting is accomplished with two screws M12 and two screws M10. / El montaje se realiza mediante dos tornillos M12 y dos tornillos M10.

Modification	4				Drawn		
	3				05/05/20 A.U.		
	2				Checked		
	1				05/05/20 A.L.		
	nº	Modified	Date	Reason	General Tolerance		Assembly
Comments					-	Part name	Gearbox valve
					Material	ID. Reference	2880210
					-	Scale: -	
					-	Review: 0	



Modification	4			Drawn		
	3			05/05/20 A.U.		
	2			Checked		
	1			05/05/20 A.L.		
	nº Modified	Date	Reason	General Tolerance	Assembly	-
Comments				ISO 2768 c-K	Part name	Gearbox valve
				Material	ID. Reference	2880210
					Scale: 2/3	
					Review: 0	