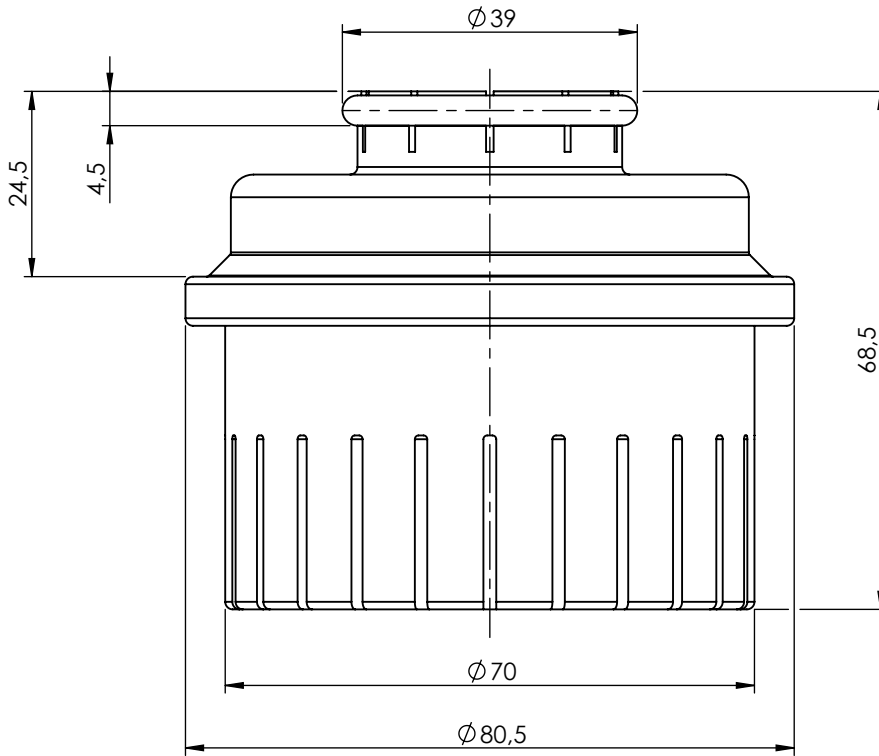
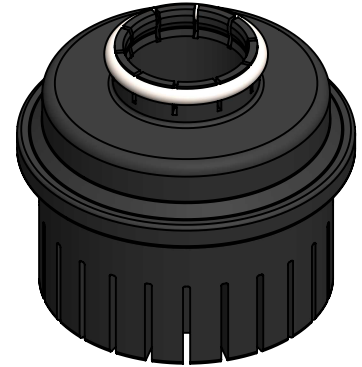
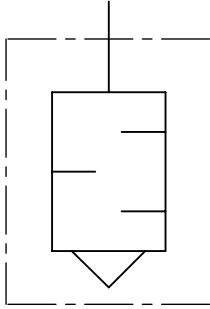


Technical data / Datos técnicos:

Part number adaptable to / Referencia adaptable a	0484210017
Working pressure / Presión de trabajo	max. 13 bar
Permissible medium / Medio de funcionamiento	Air / Aire
Operating temperature range / Rango de temperatura	-40°C to / a +80°C
Weight / Peso	205 gr

Pneumatic scheme / Esquema neumático:



Modification	4				Drawn		
	3				20/08/20 S.S.		
	2				Checked		
	1				20/08/20 O.V.		
	nº	Modified	Date	Reason	General Tolerance	Assembly	
Comments					ISO 2768 v-K	Part name	Silencer
					Material	ID. Reference	2303101
					-	Scale: 1/1	
					-	Review: 0	

