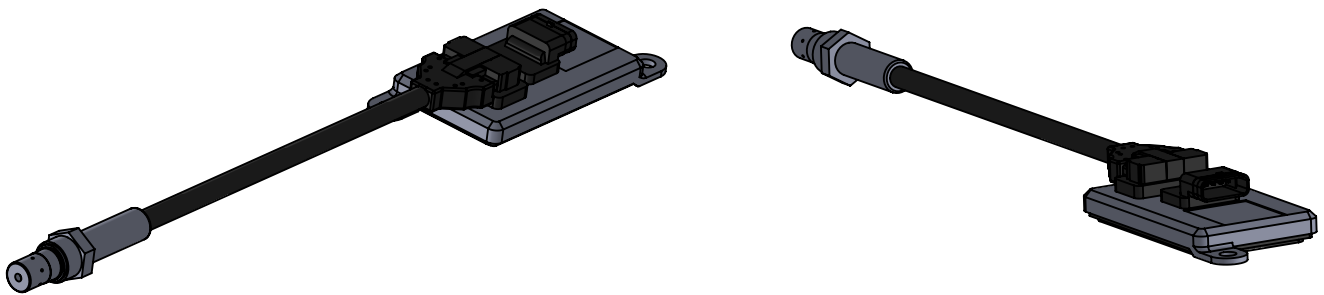
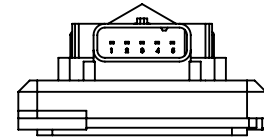
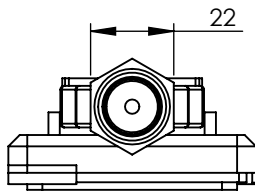
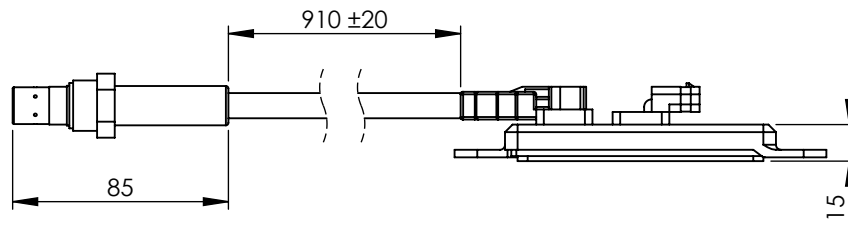
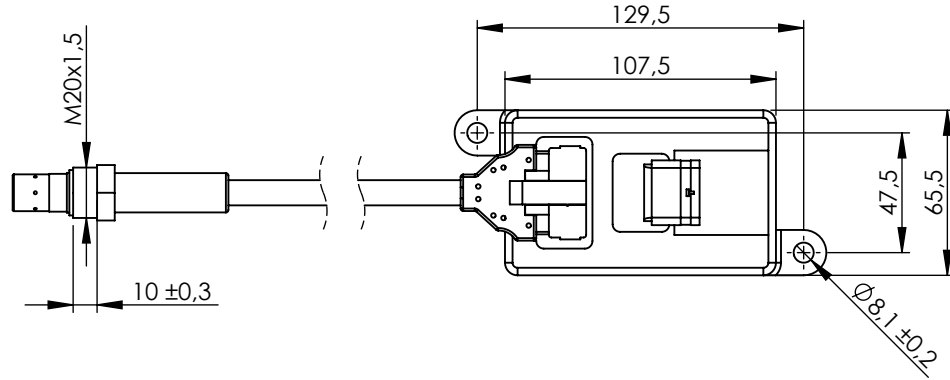


**Technical data/ Datos técnicos:**

According to/ En referencia a:	5801754016
Operating temperature range/Rango de temperatura:	-40°C a/to 80°C
Weight/ Peso	331,5 gr

PIN 1	+24V
PIN 2	GND/MASA
PIN 3	CAN L
PIN 4	CAN H
PIN 5	NO FUNCTION/ SIN FUNCION



Modification	4				Drawn			
	3				11/09/20 S.F.			
	2				Checked			
	1				11/09/20 E.L.			
	nº	Modified	Date	Reason	General Tolerance	Assembly		
Comments					ISO 2768 c-K	Part name	NOx sensor/Sensor NOx	
					Material	ID. Reference	2269023	
					-	Scale: 1/3		Sheet 1/1
					-	Review: 0		

