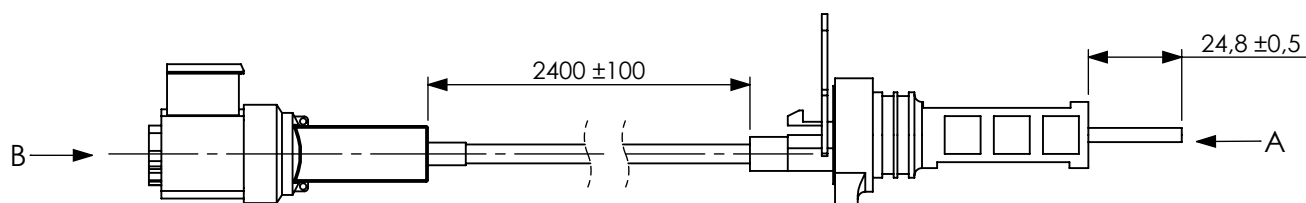
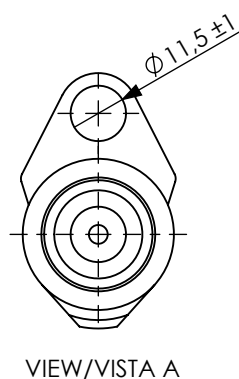
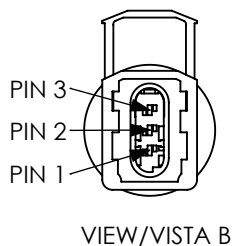
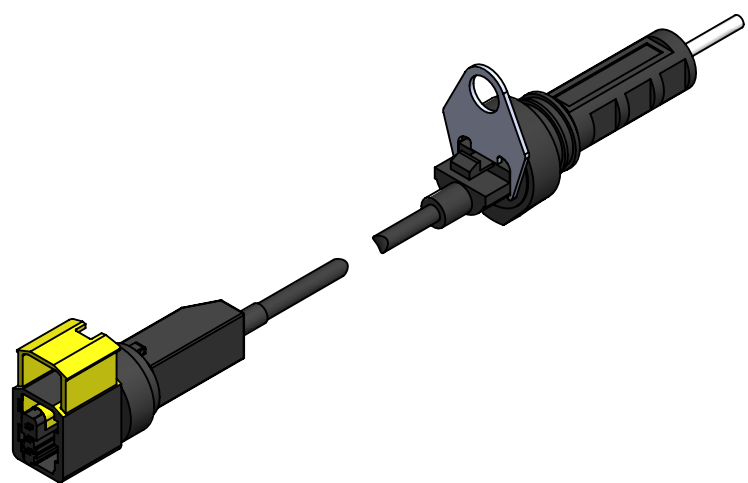


Technical sheet/ Datos técnicos:

Part number adaptable to / Referencia adaptable a	21296875
Operating temperature range / Rango de temperatura	-40°C a/to 80°C
Weight / Peso	150 gr

PIN 1	+5V
PIN 2	SIGNAL/SEÑAL
PIN 3	GND/MASA



Modification	4				Drawn		
	3				08/09/22 S.F.		
	2				Checked		
	1				08/09/22 D.M.		
F	nº	Modified	Date	Reason	General Tolerance	Assembly	-
	Comments				ISO 2768 c-K	Part name	Wear sensor/Sensor de desgaste
					Material	ID. Reference	2261074
					-	Scale: 1/2	
					Review: 0		

