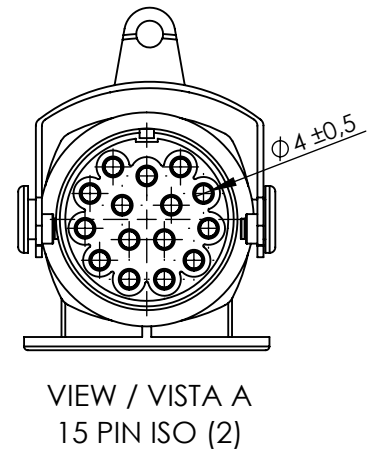
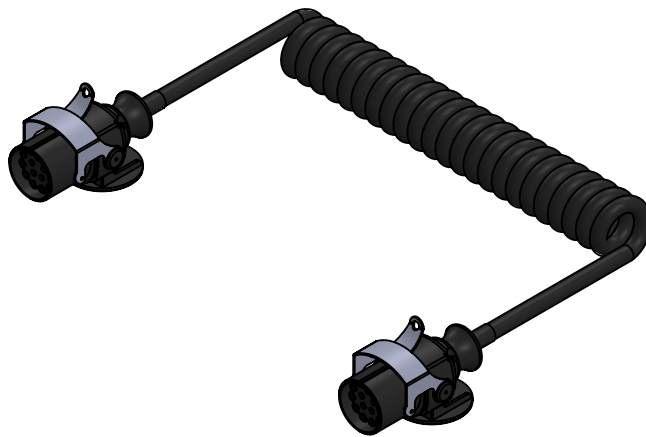
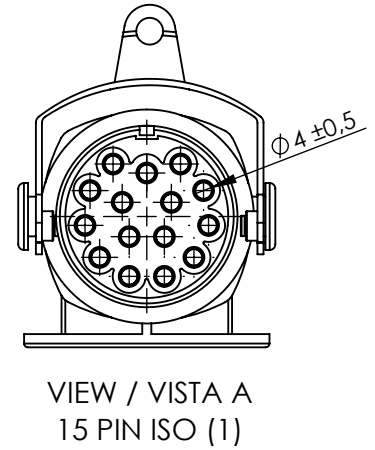
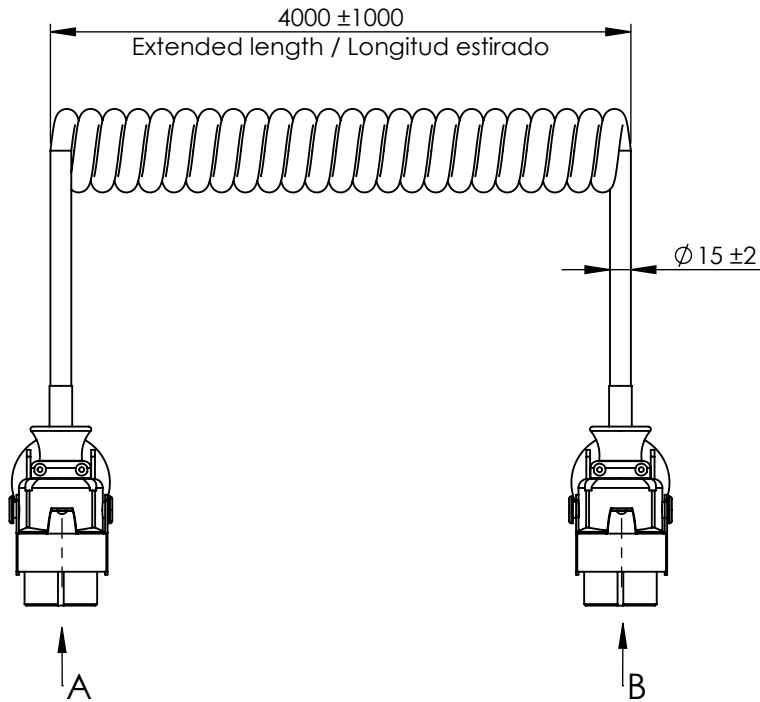


**Technical data/ Datos técnicos:**

|  |                 |
|--|-----------------|
| Operating temperature range / Rango de temperatura | -40°C a/to 80°C |
| Weight / Peso                                      | 2170 gr         |

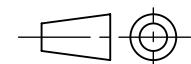


|              |    |          |          |                                      |                   |
|--------------|----|----------|----------|--------------------------------------|-------------------|
| Modification | 4  |          |          |                                      | Drawn             |
|              | 3  |          |          |                                      | 26/08/20 S.F.     |
|              | 2  |          |          |                                      | Checked           |
|              | 1  | S.F.     | 02/08/23 | Add table of continuity between pins | 26/08/20 E.L.     |
|              | nº | Modified | Date     | Reason                               | General Tolerance |
| Comments     |    |          |          |                                      | Assembly          |
|              |    |          |          |                                      | Part name         |
|              |    |          |          |                                      | ID. Reference     |
|              |    |          |          |                                      | Scale: 1/5        |
|              |    |          |          | Review: 1                            | Sheet 1/2         |



Serpentine 15Terminal 24V Type-S/N/  
Serpentina 15Pin 24V Tipo-S/N

2260109



Sheet 1/2

1

2

3

4

## Continuity between pins / Continuidad entre pines

## 7 PIN ISO (1)

## 7 PIN ISO (2)

1

1

2

2

3

3

4

4

5

5

6

6

7

7

8

8

9

9

10

10

11

11

12

12

13

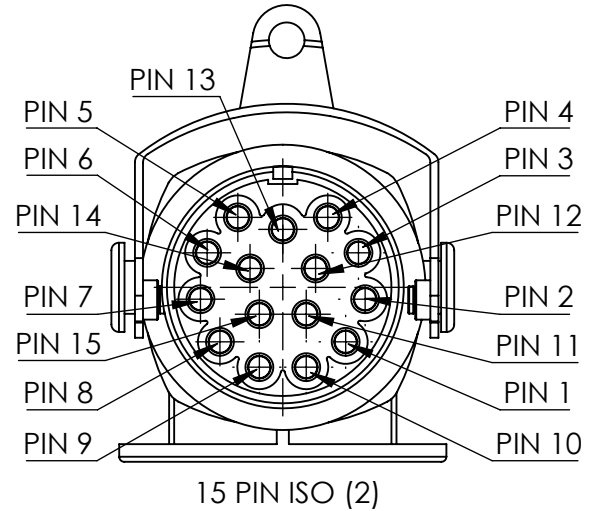
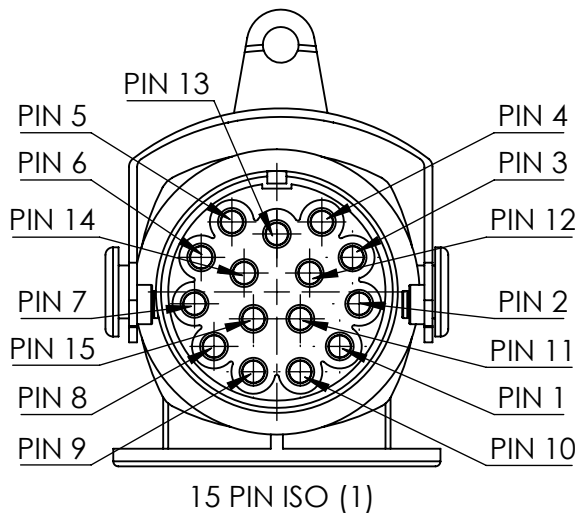
13

14

14

15

15



Modification

4  
3  
2  
1

nº

Modified

02/08/23

Date

Add table of continuity between pins

Reason

General Tolerance

ISO 2768 c-K

Material

-

Drawn

26/08/20 S.F.

Checked

26/08/20 E.L.

Assembly

Part name

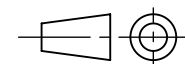
ID. Reference

Scale: 1/5

Review: 1

Serpentine 15Terminal 24V Type-S/N/  
Serpentina 15Pin 24V Tipo-S/N

2260109

Sheet  
2/2