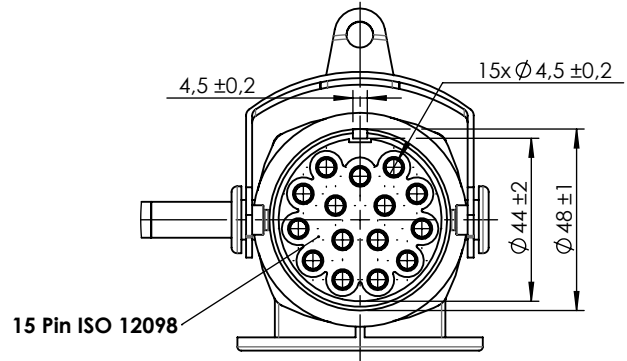
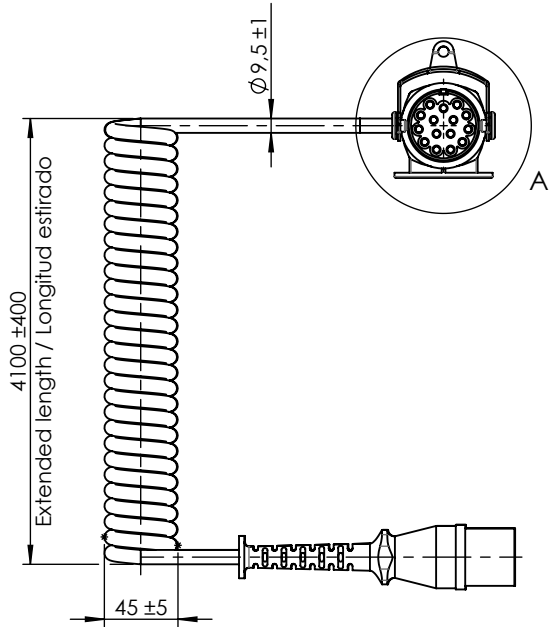
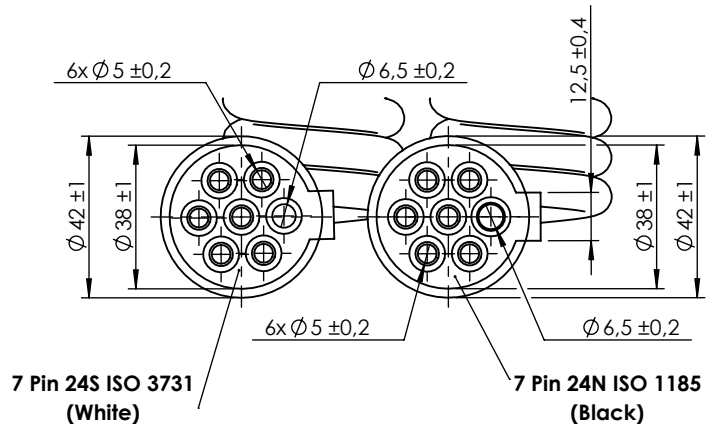
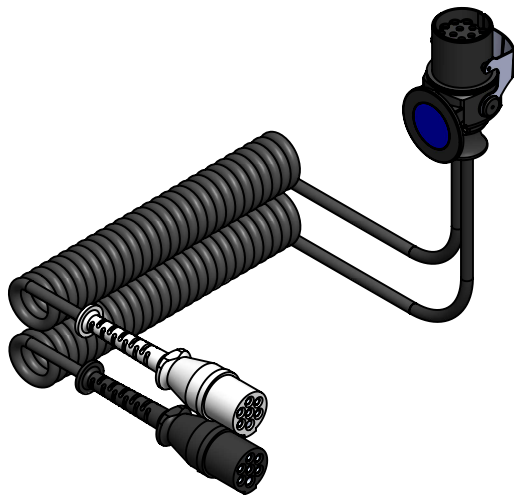


Technical data/ Datos técnicos:

Operating temperature range/ Rango de temperatura:	-40°C to/a 80°C
Weight/ Peso:	1590 gr



DETAIL / DETALLE A
SCALE / ESCALA 1 : 2



VIEW / VISTA B
SCALE / ESCALA 1 : 2

F	Modification	4				Drawn	
		3				25/08/20 S.F.	
		2				Checked	
		1	J.S.	23/08/21	Add table of continuity between pins	25/08/20 E.L.	
		nº	Modified	Date	Reason		
	Comments				General Tolerance	Assembly	-
					ISO 2768 c-K	Part name	Serpentine 15Terminal 24V Type-S/N B1/ Serpentina 15Pin 24V Tipo-S/N B1
					Material	ID. Reference	2260108
					-	Scale: 1/5	
					-	Review: 1	

1

2

3

4

A

A

Continuity between pins / Continuidad entre pines

15 Pin ISO 12098	7 Pin 24N ISO 1185 (Black)	7 Pin 24S ISO 3731 (White)
1	3	-
2	5	-
3	-	7
4	1	1
5	2	-
6	6	-
7	4	-
8	-	3
9	-	4, 6
10	-	-
11	-	-
12	-	-
13	-	-
14	-	-
15	-	-

B

B

C

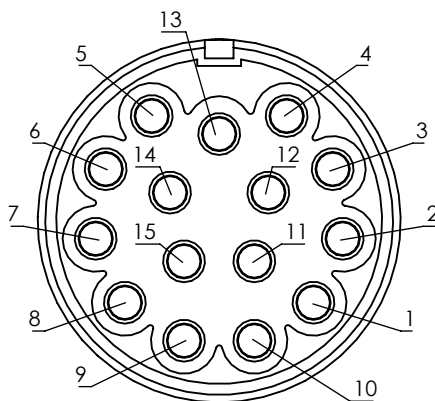
C

D

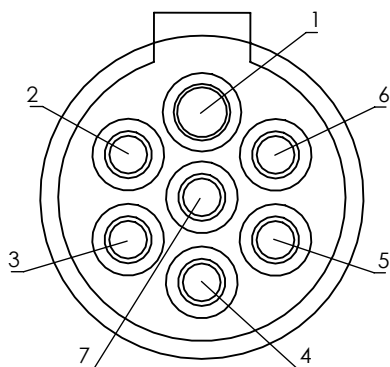
D

E

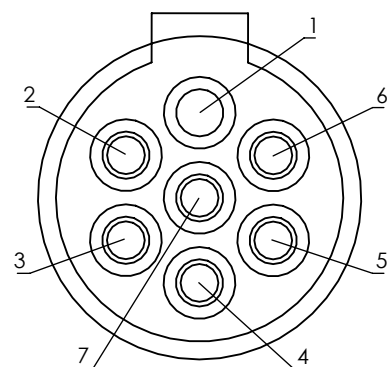
E



15 Pin ISO 12098



7 Pin 24N ISO 1185 (Black)



7 Pin 24S ISO 3731 (White)

Modification

4
3
2
1

nº Modified

Date

Reason

General Tolerance

Assembly

Part name

ID. Reference

Scale: 1/1

Review: 1

Drawn

25/08/20 S.F.

Checked

25/08/20 E.L.

-

Serpentine 15Terminal 24V Type-S/N B1/
Serpentina 15Pin 24V Tipo-S/N B1

F

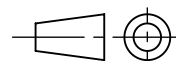
Comments

ISO 2768 c-K

Material

-

2260108

Sheet
2/2