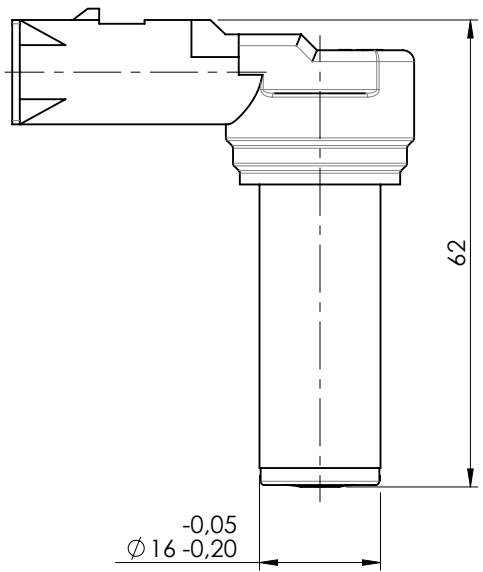
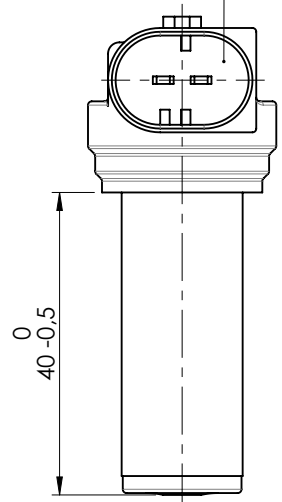


F E D C B A

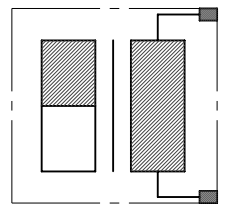
2-pin connector



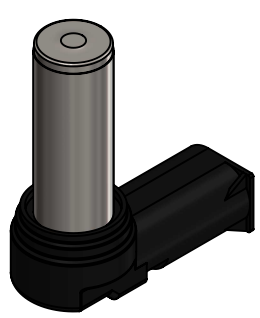
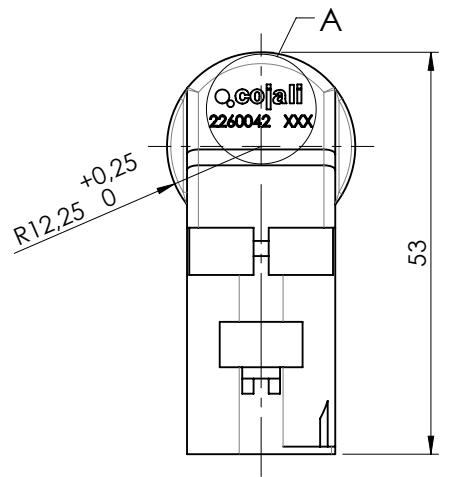
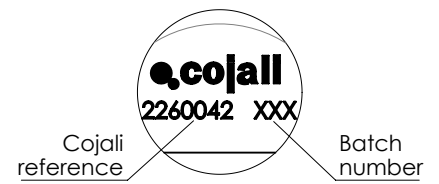
**Technical data/ Datos técnicos:**

Resistance / Resistencia (@ 20 °C)	1200 $\Omega$ $\pm$ 15 %
Weight / Peso	50 g

**Scheme / Esquema:**



'A'  
3:2

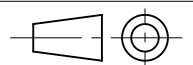


Modification	4				Drawn
	3				06/08/20 S.F.
	2				Checked
	1	J.S.	22/10/25	Modify format	06/08/20 E.L.
	nº	Modified	Date	Reason	General Tolerance
Comments					Assembly
					ISO 2768 c-K
					Part name
					Material
					ID. Reference
					Scale: 1/1
					Review: 1



RPM Sensor

2260042



Sheet  
1/1

F E D C B A