

1

2

3

4

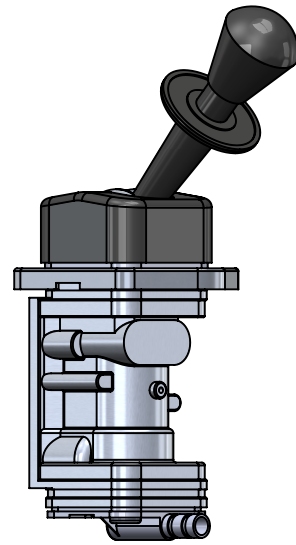
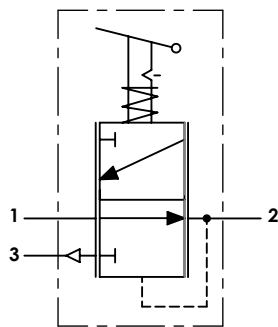
A

Technical sheet / Datos técnicos:

| | |
|--|--------------------|
| Part number adaptable to / Referencia adaptable a | 9617210040 |
| Operating pressure / Presión de trabajo | max. 20 bar |
| Actuation angle / Ángulo de accionamiento | 90° |
| Permissible medium / Medio de funcionamiento | Air / Aire |
| Operating temperature range / Rango de temperatura | -40°C to / a +80°C |
| Weight / Peso | 750 gr |

B

B



C

C

D

D

| Port / Conexión | Function / Función | Thread / Rosca |
|-----------------|-----------------------|----------------|
| 1 | Supply / Alimentación | M14x1,5 |
| 2 | Delivery / Salida | M14x1,5 |
| 3 | Exhaust / Escape | - |

E

E

Purpose / Propósito: Parking braking actuation due to pressure release of spring brakes actuators. / Accionamiento del freno de estacionamiento gracias al alivio de la presión en las cámaras de muelle de los actuadores de freno.

Installation requirements / Requisitos para la instalación: The valve is fastened using two screws M6. / La válvula es fijada usando dos tornillos M6.

F

F

| | | | | | | | | |
|--------------|----|----------|------|--------|-------------------|---------------|------------------|-----------|
| Modification | 4 | | | | Drawn | | | |
| | 3 | | | | 28/08/13 L.A. | | | |
| | 2 | | | | Checked | | | |
| | 1 | | | | 28/08/13 A.L. | | | |
| | nº | Modified | Date | Reason | General Tolerance | | Assembly | - |
| Comments | | | | | - | Part name | Hand brake valve | |
| | | | | | Material | ID. Reference | 2224302 | |
| | | | | | - | Scale: - | | Sheet 1/2 |
| | | | | | - | Review: 0 | | |

1 2 3 4

A

A

B

B

C

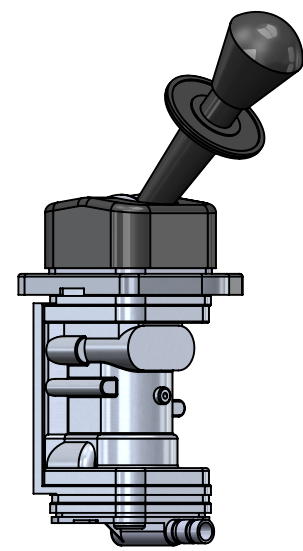
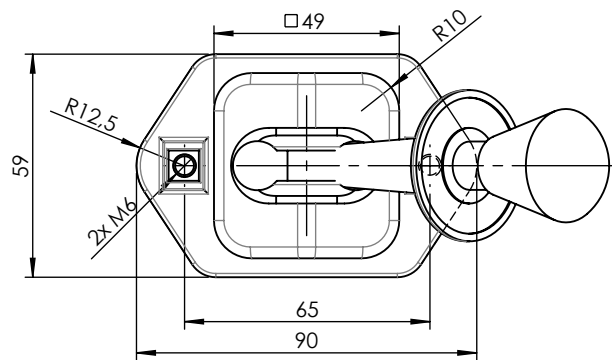
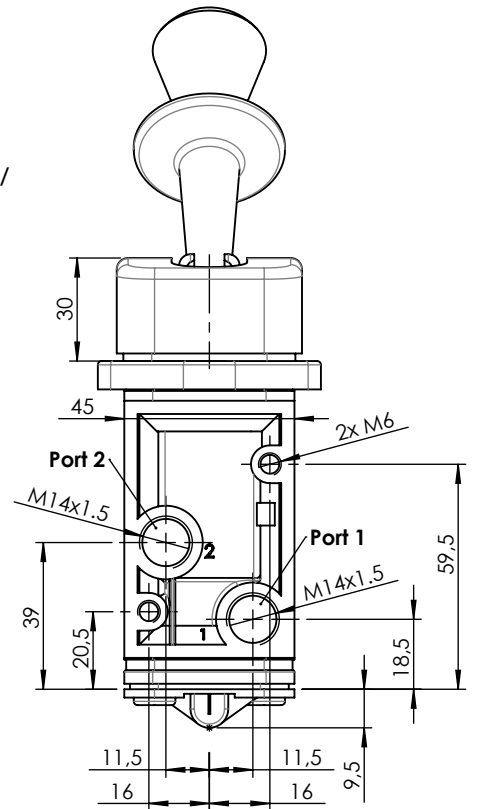
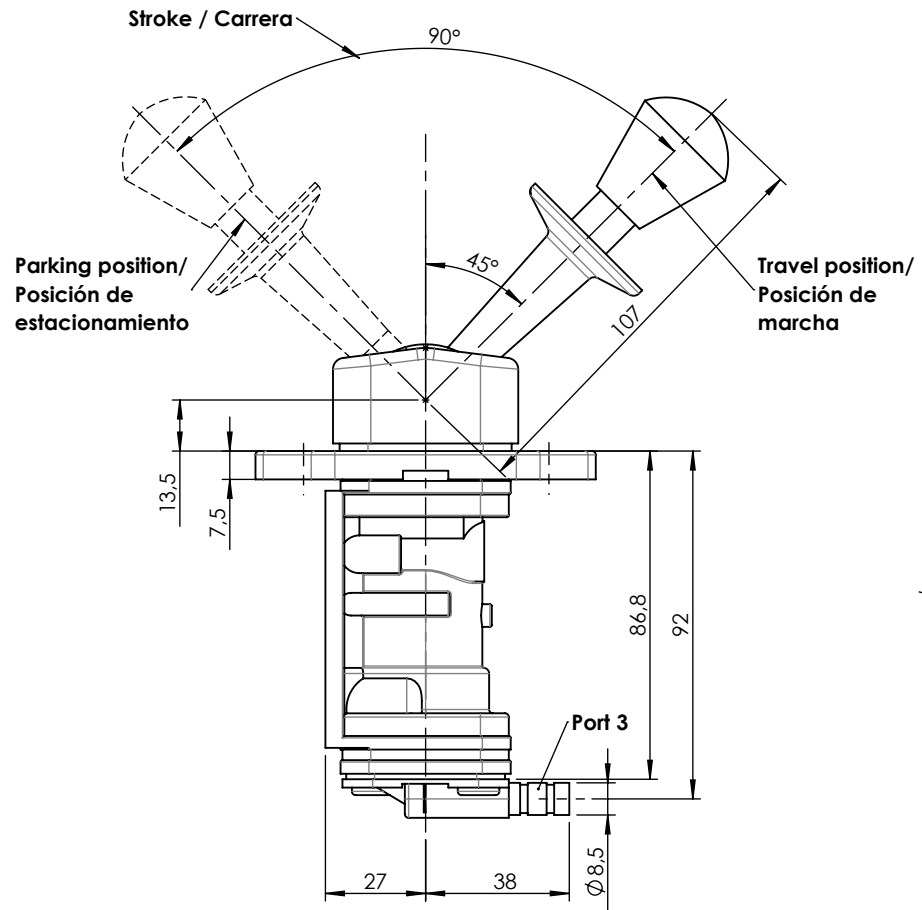
C

D

D

E

E



| | | | | | | | | |
|----------|--------------|----|----------|------|--------------|-------------------|------------------|-----------|
| F | Modification | 4 | | | | Drawn | | F |
| | | 3 | | | | 28/08/13 L.A. | | |
| | | 2 | | | | Checked | | |
| | | 1 | | | | 28/08/13 A.L. | | |
| | | nº | Modified | Date | Reason | General Tolerance | | |
| Comments | | | | | ISO 2768 c-K | Part name | Hand brake valve | |
| | | | | | Material | ID. Reference | 2224302 | |
| | | | | | | Scale: 1/2 | | Sheet 2/2 |
| | | | | | | Review: 0 | | |