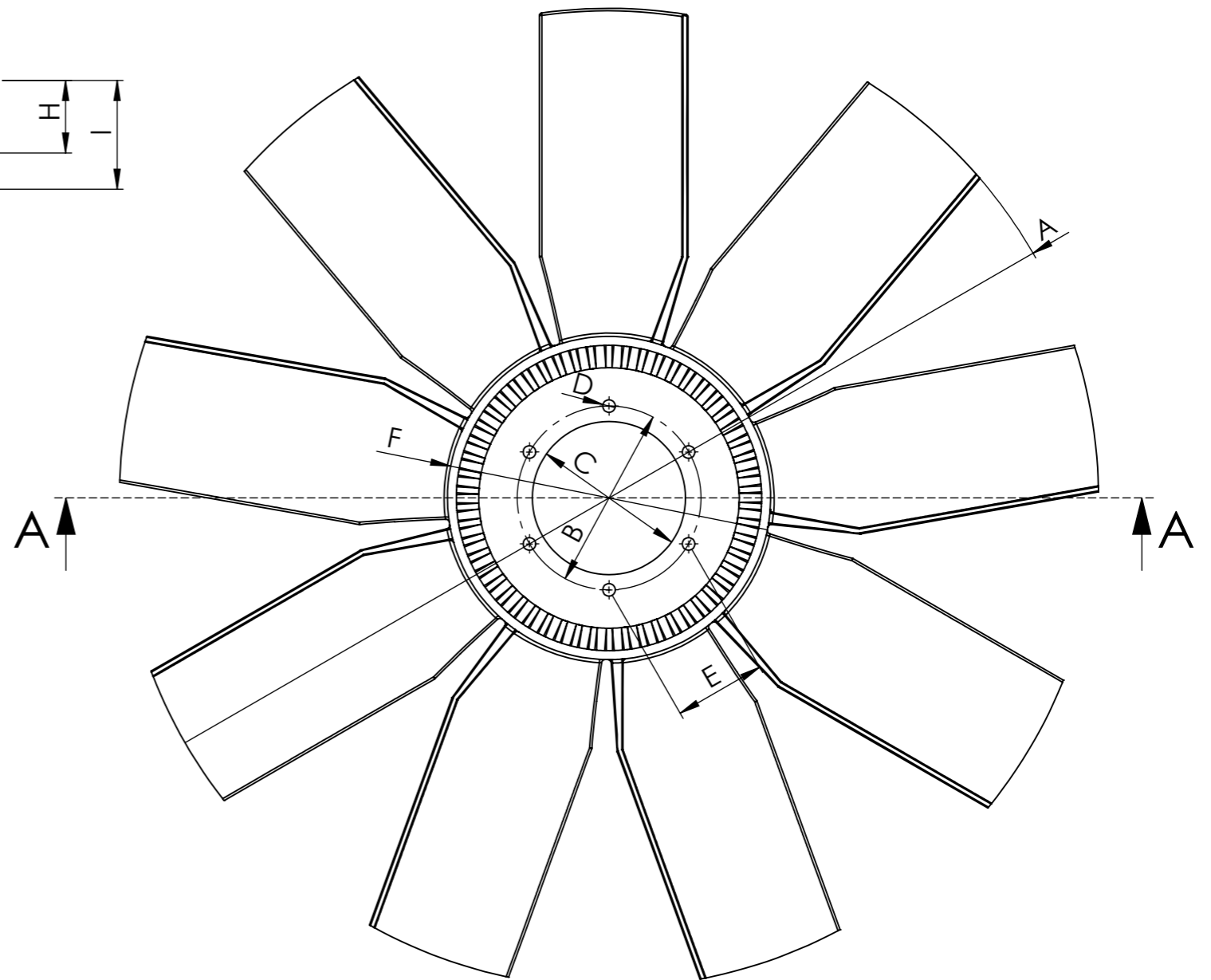
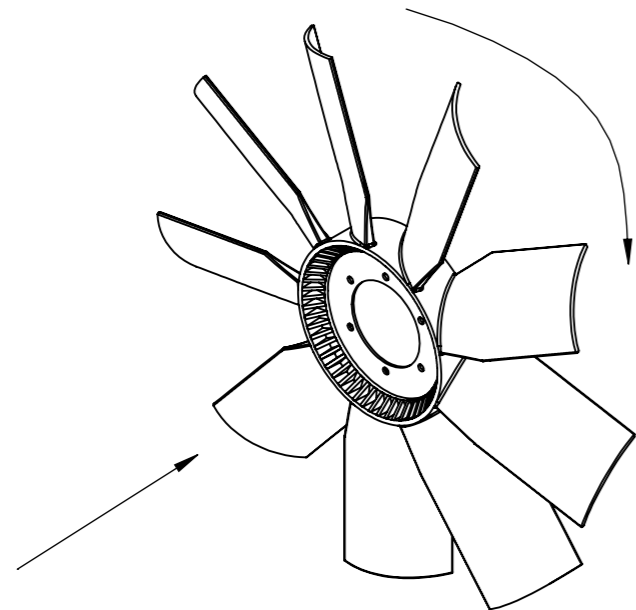


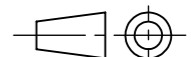
SECTION A-A



Dimensional values		FAN WHEEL			
Ref.nº	Value	Ref.nº	Value		
A	$\varnothing 810 \pm 3$ mm	G	74 ± 3 mm		
B	$\varnothing 152,4$ mm	H	60 ± 3 mm		
C	$\varnothing 127 +0,30$ mm	I	90 ± 3 mm		
D	6x $\varnothing 10,5$ mm				
E	76,2 mm				
F	$\varnothing 268 \pm 3$ mm				
Number of blades		9	Configuration	CW	

Modification nº	Modified	Date	Reason
4			
3			
2			
1			

Comments			

Drawn	13/05/24 Hernández	
Checked	13/05/24 R.Urda	
General Tolerance	ISO 2768 c-K	Assembly Part name Technical sheet
Material		ID. Reference Fan wheel
Scale: 1/5		Review: 0
		 Sheet 1/1

