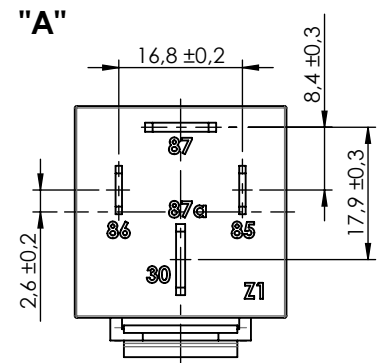
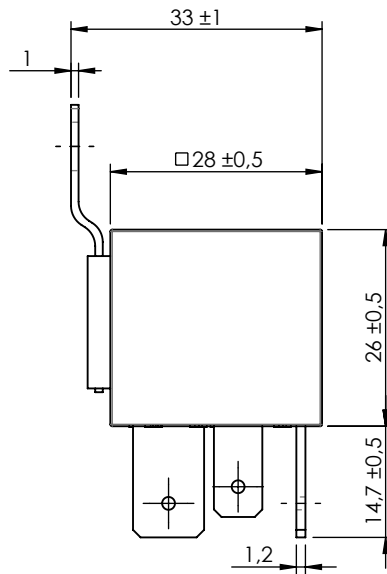
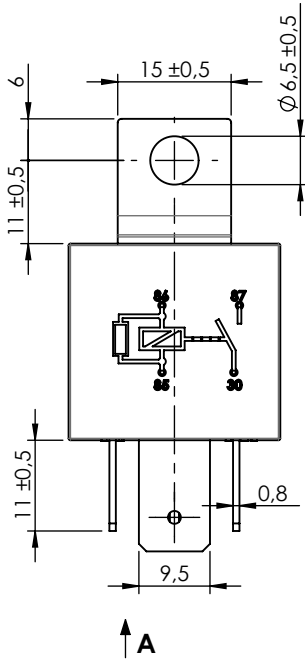
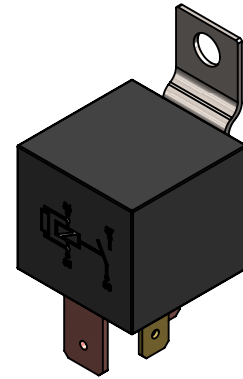
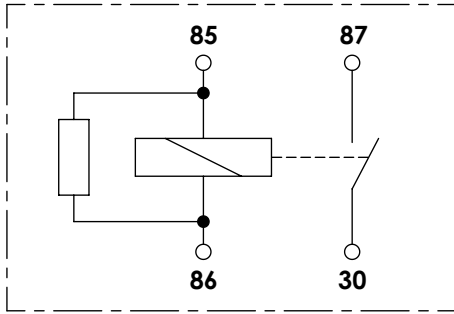


**Technical sheet / Datos técnicos:**

Part number adaptable to / Referencia adaptable a	21255974
Contact arrangement (according to NARM) / Disposición de contactos (según NARM)	SPST-NO
Voltage / Voltaje	24 V
Operating temperature range / Rango de temperatura	-40°C to / a +125°C
Weight / Peso	30 gr



Modification	4				Drawn			
	3				09/11/20 S.F.			
	2				Checked			
	1				09/11/20 E.L.			
	nº	Modified	Date	Reason	General Tolerance	Assembly		
Comments					-	Part name	Relay	
					Material	ID. Reference	2260348	
					-	Scale: 1/1		Sheet 1/1
					-	Review: 0		

