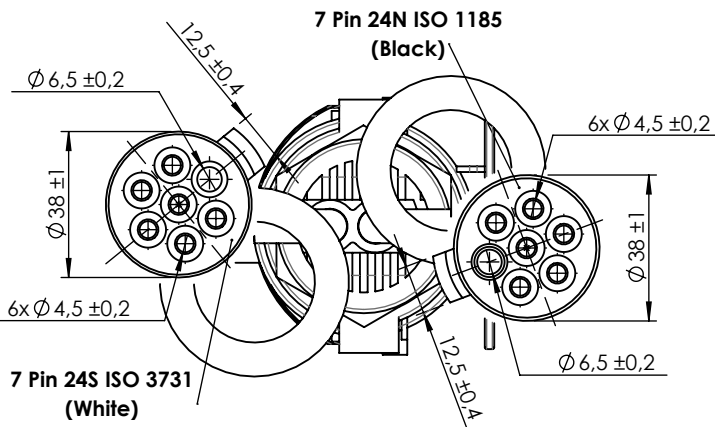
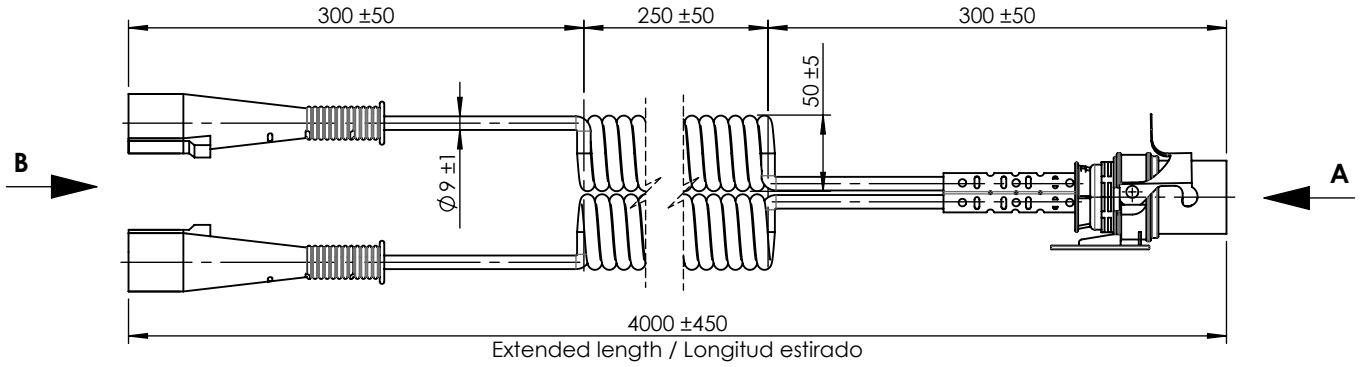
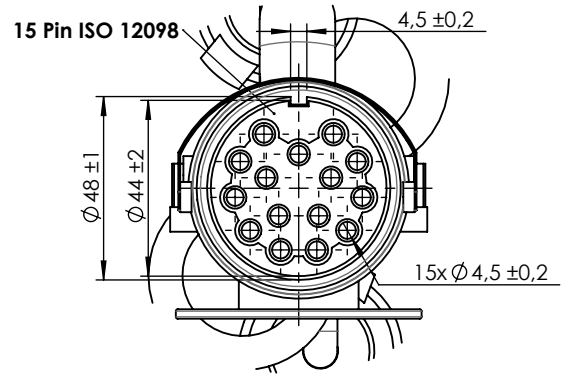


Technical data/ Datos técnicos:

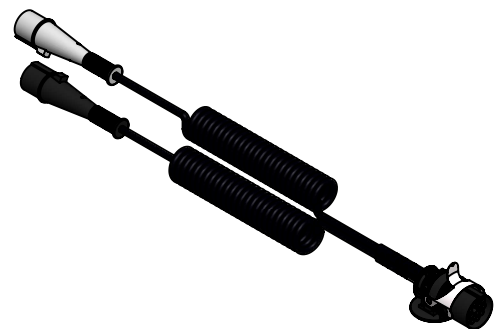
According to/ En referencia a:	2260136
Operating temperature range/ Rango de temperatura:	-40°C to/a 80°C
Weight/ Peso:	1696 gr



VIEW / VISTA B
SCALE / ESCALA 1 : 2



VIEW / VISTA A
SCALE / ESCALA 1 : 2

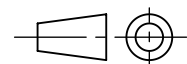


Modification	4				Drawn
	3				25/08/20 S.F.
	2				Checked
	1	J.S.	23/08/21	Add table of continuity between pins	25/08/20 E.L.
	nº	Modified	Date	Reason	General Tolerance
Comments					Assembly
					Part name
					ID. Reference
					Scale: 1/5
				Review: 1	



Serpentine 15Terminal 24V Type-S/N Iveco/
Serpentina 15Pin 24V Tipo-S/N Iveco

2260136



Sheet
1/2

1

2

3

4

A

A

Continuity between pins / Continuidad entre pines

15 Pin ISO 12098	7 Pin 24N ISO 1185 (Black)	7 Pin 24S ISO 3731 (White)
1	3	-
2	5	-
3	-	7
4	1	1
5	2	-
6	6	-
7	4	-
8	-	3
9	-	4, 6
10	7	-
11	-	2
12	-	5
13	-	-
14	-	-
15	-	-

B

B

C

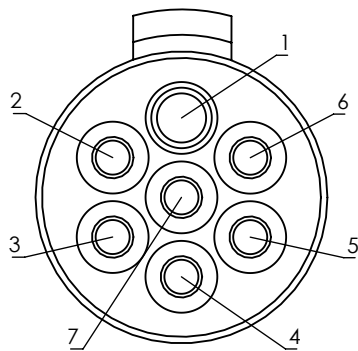
C

D

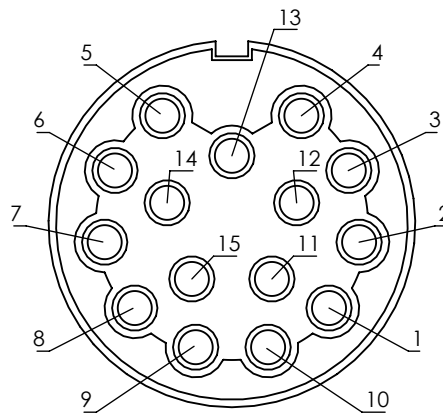
D

E

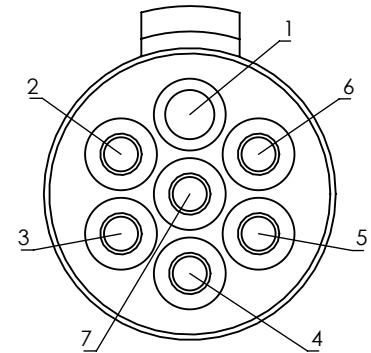
E



7 Pin 24N ISO 1185 (Black)



15 Pin ISO 12098



7 Pin 24S ISO 3731 (White)

F

F

Modification	4				Drawn
	3				25/08/20 S.F.
	2				Checked
	1	J.S.	23/08/21	Add table of continuity between pins	25/08/20 E.L.
Comments	nº	Modified	Date	Reason	General Tolerance
					ISO 2768 c-K
					Material
					-
					Assembly
					Part name
					ID. Reference
					Scale: 1/1
					Review: 1

Serpentine 15Terminal 24V Type-S/N Iveco/
Serpentina 15Pin 24V Tipo-S/N Iveco

2260136



Sheet
2/2