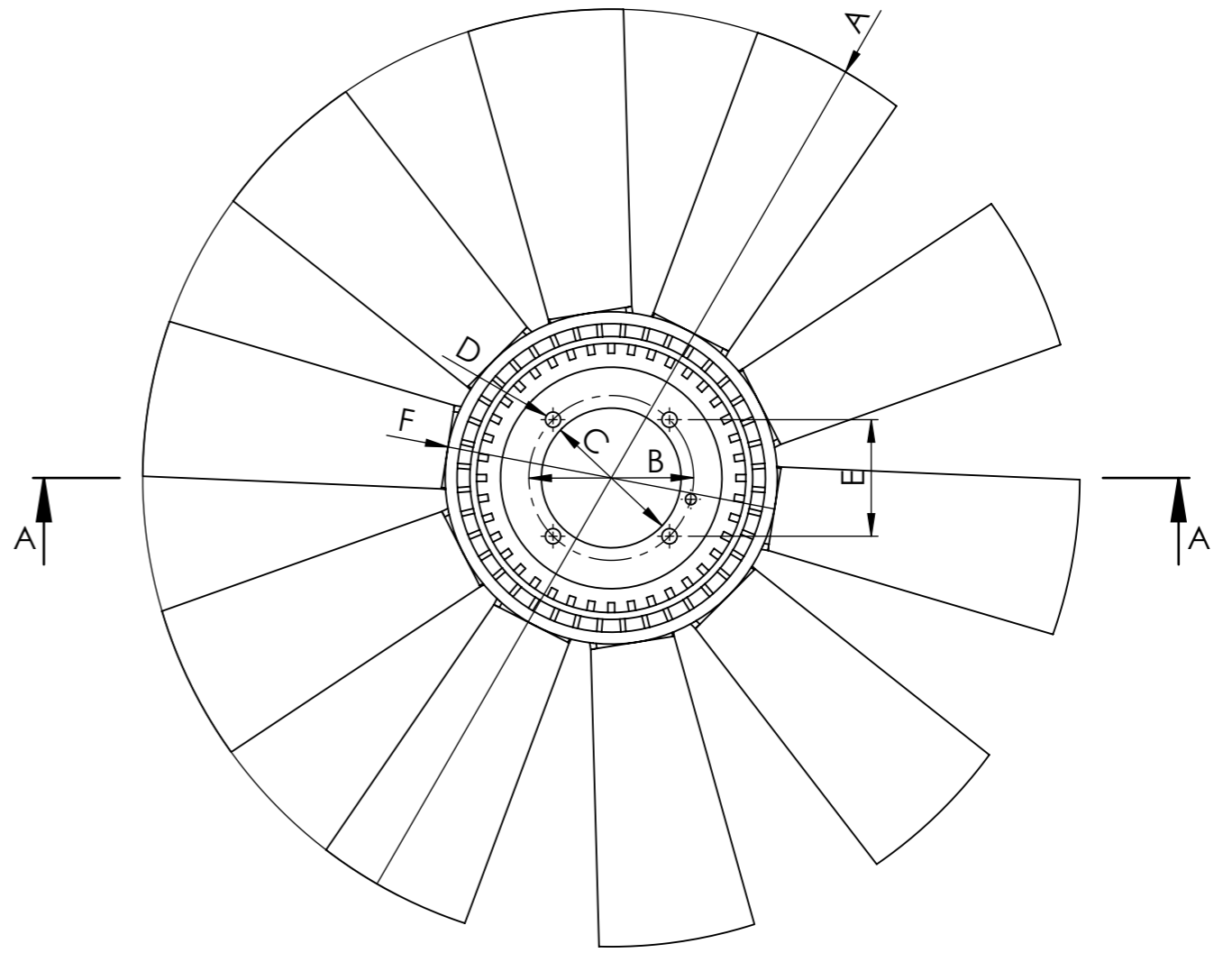
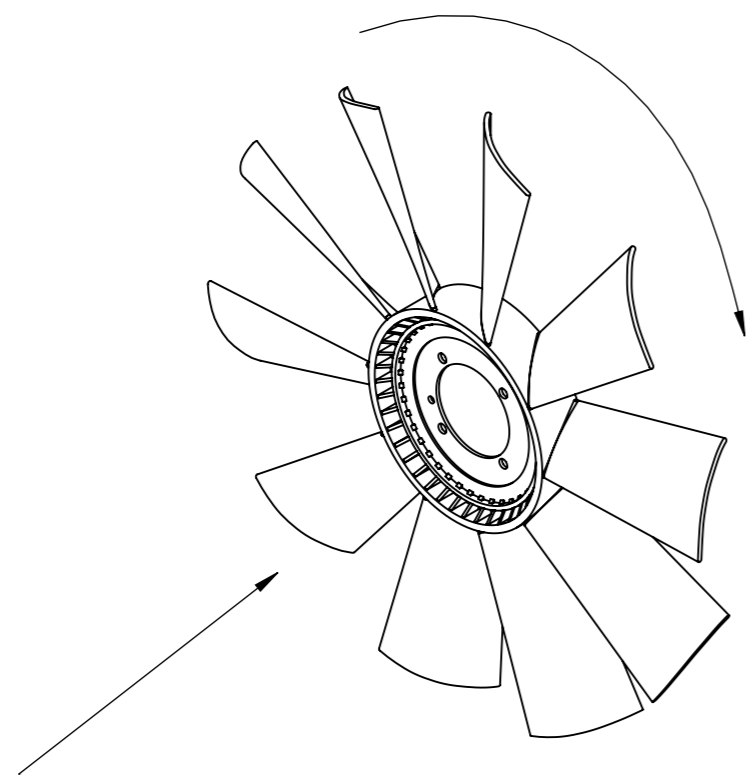


SECCIÓN A-A



Dimensional values	FAN WHEEL			
	Ref.nº	Value	Ref.nº	Value
	A	$\phi 550 \pm 3$ mm	G	50 ± 3 mm
	B	$\phi 96.7$ mm	H	28 ± 3 mm
	C	$\phi 82.5 +0.3$ 0 mm	I	50 ± 3 mm
	D	4x $\phi 8.6$ mm		
	E	68.4 mm		
	F	$\phi 195 \pm 3$ mm		
	Number of blades		10	Configuration
				CW

Modification nº	Modified	Date	Reason	Comments
3				
2				
1				

Drawn
09/06/20 A.G.
Checked
09/06/20 R.U.

	General Tolerance	ISO 2768 c-K	Assembly	Technical sheet
	Material		Part name	Fan wheel
			ID. Reference	8521642
			Scale: 1/4	
		Review: 0		
				Sheet 1/1