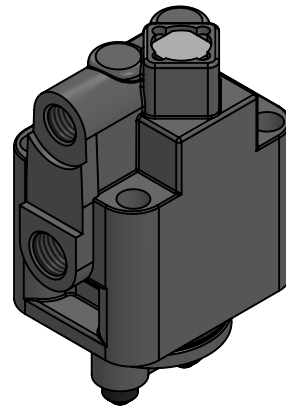
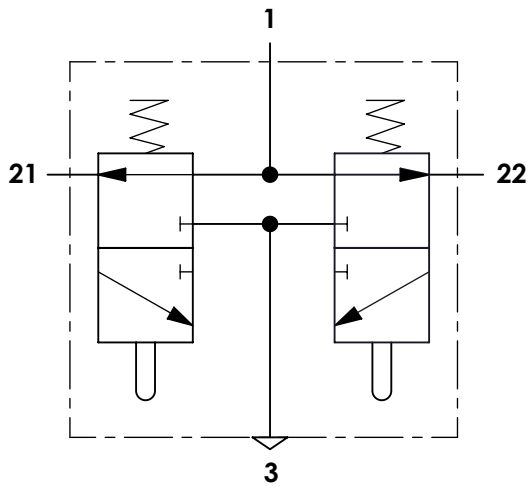


Technical sheet / Datos técnicos:

Part number adaptable to / Referencia adaptable a	SV3367
Operating pressure / Presión de trabajo	max. 10 bar
Permissible medium / Medio de funcionamiento	Air / Aire
Operating temperature range / Rango de temperatura	-25°C to / a +150°C
Weight / Peso	400 gr



Port / Conexión	Function / Función	Thread / Rosca
1	Supply / Alimentación	M12x1,5
21	Delivery / Salida	M14x1,5
22	Delivery / Salida	M14x1,5
3	Exhaust / Escape	-

Installation requirements / Requisitos para la instalación:

Mounting is accomplished with four screws M8. / El montaje se realiza mediante cuatro tornillos M8.

Modification	4				Drawn		
	3				26/08/15 A.U.		
	2				Checked		
	1				26/08/15 A.L.		
	nº	Modified	Date	Reason	General Tolerance		Assembly
Comments					-	Part name	Gearbox valve
					Material	ID. Reference	2316202
					-	Scale: -	
					-	Review: 0	

1

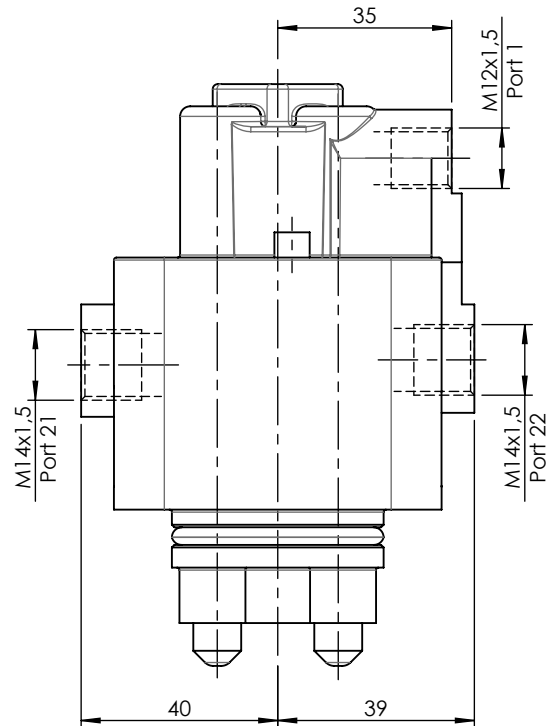
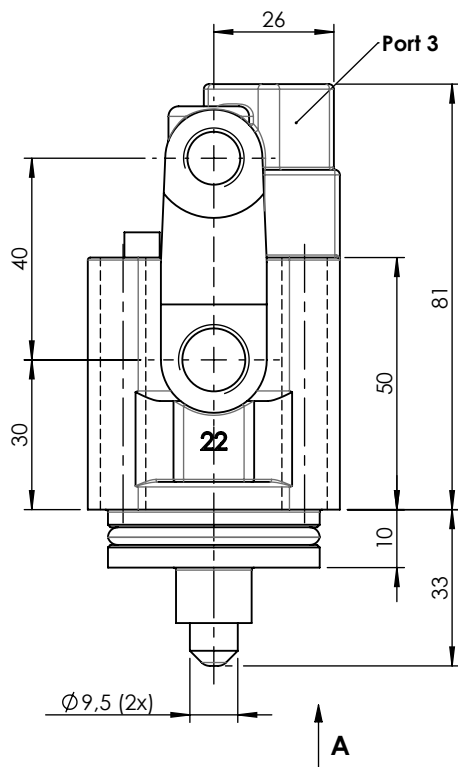
2

3

4

A

A



B

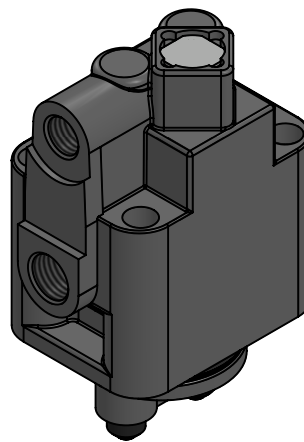
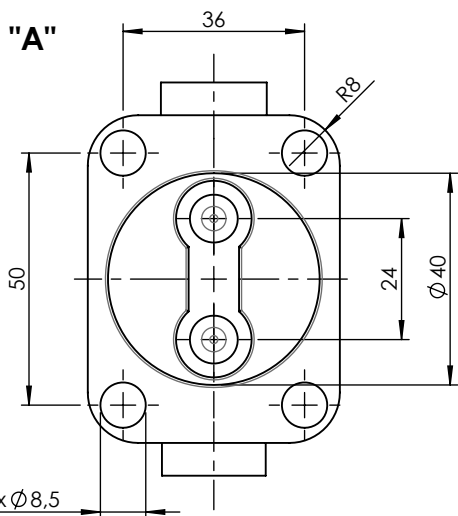
B

C

C


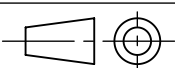
D

D



E

E

F	Modification	4				Drawn		F
		3				26/08/15 A.U.		
		2				Checked		
		1				26/08/15 A.L.		
		nº	Modified	Date	Reason	General Tolerance		
Comments					ISO 2768 c-K	Part name	Gearbox valve	
					Material	ID. Reference	2316202	
					-	Scale: 2/3		Sheet 2/2
					-	Review: 0		