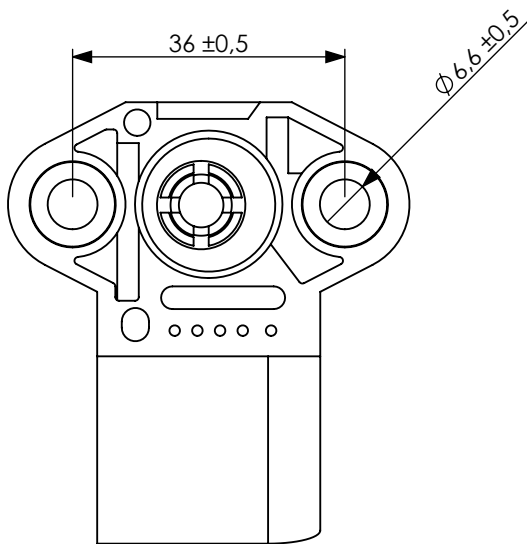
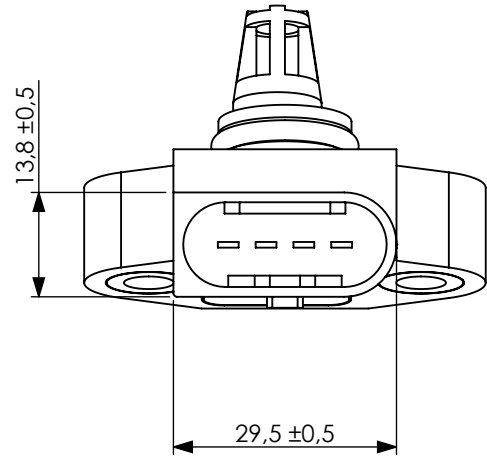
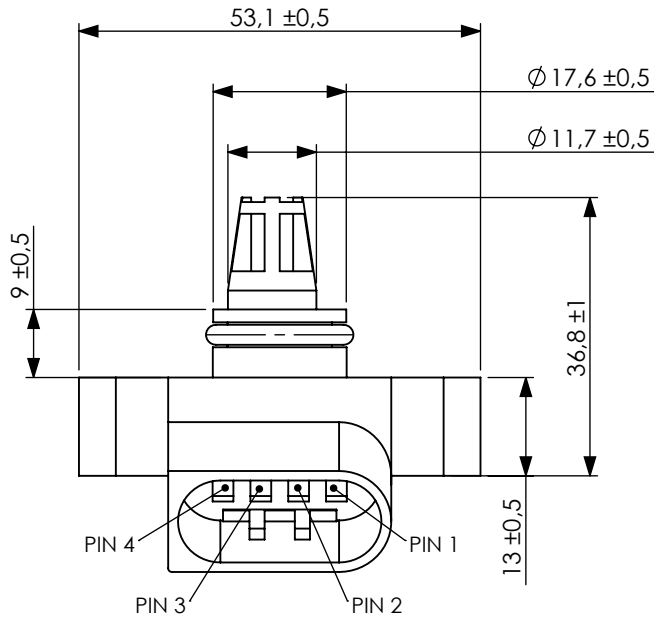


Technical Sheet / Datos técnicos:

Reference adaptable to / Referencia adaptable a :	0041537028
Operating temperature range / Rango de temperatura:	- 40°C a/to 80°C
Weight / Peso:	44 gr

PIN 1	PRESSURE SIGNAL/ SEÑAL DE PRESIÓN
PIN 2	+5V
PIN 3	TEMPERATURE SIGNAL/ SEÑAL DE TEMPERATURA
PIN 4	GND/MASA



Modification	4				Drawn			
	3				17/07/20 S.F.			
	2				Checked			
	1				17/07/20 E.L.			
	nº	Modified	Date	Reason	General Tolerance		Assembly	
Comments					ISO 2768 c-K	Part name	Boost pressure sensor/Sensor MAP	
					Material	ID. Reference	2260388	
					-	Scale: 1/1		Sheet 1/1
					-	Review: 0		