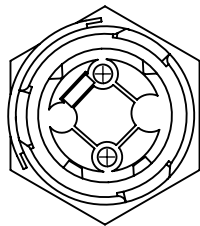
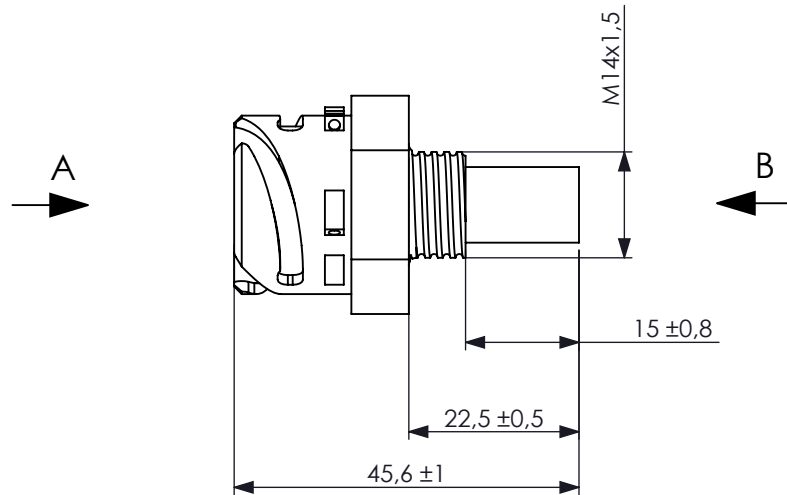
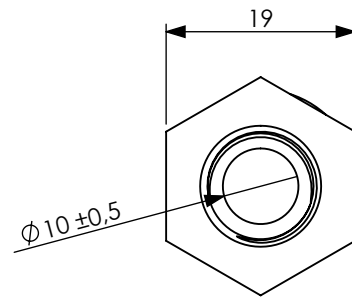


Technical data/ Datos técnicos:

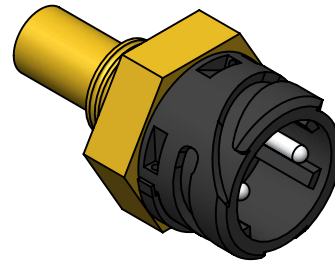
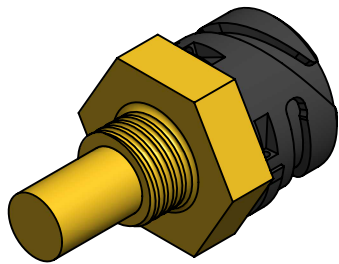
| | |
|--|-----------------|
| According to/ En referencia a: | 81274210125 |
| Operating temperature range/ Rango de temperatura: | -40°C a/to 80°C |
| Weight/Peso: | 29,2 gr |



VIEW/VISTA A



VIEW/VISTA B



| | | | | | | | | |
|--------------|----|----------|------|--------|-------------------|---------------|--|-----------|
| Modification | 4 | | | | Drawn | | | |
| | 3 | | | | 27/07/20 S.F. | | | |
| | 2 | | | | Checked | | | |
| | 1 | | | | 27/07/20 E.L. | | | |
| | nº | Modified | Date | Reason | General Tolerance | Assembly | | |
| Comments | | | | | ISO 2768 c-K | Part name | Temperature sensor/Sensor de temperatura | |
| | | | | | Material | ID. Reference | 2260214 | |
| | | | | | - | Scale: 1/1 | | Sheet 1/1 |
| | | | | | - | Review: 0 | | |

