

1

2

3

4

A

Technical data/ Datos técnicos:

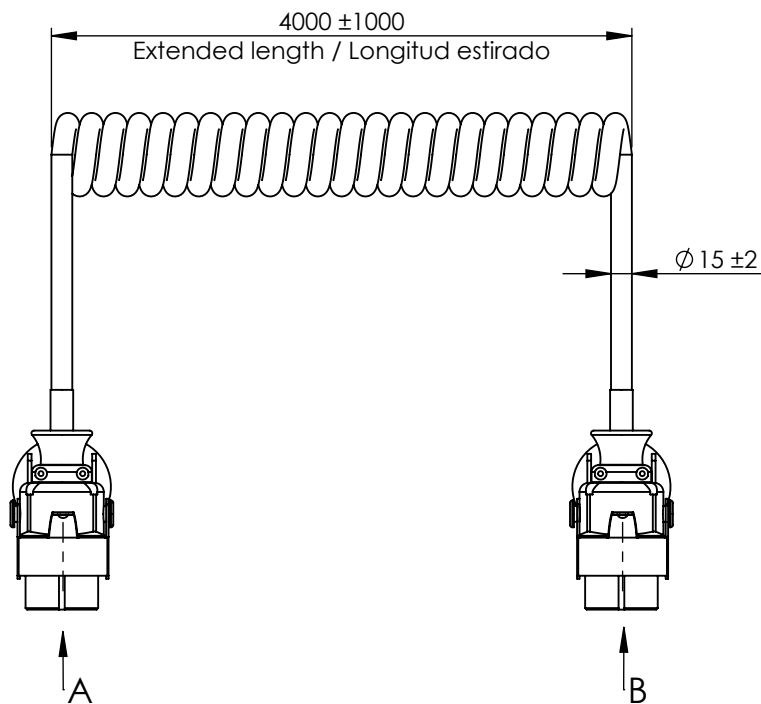
Operating temperature range / Rango de temperatura

-40°C a/to 80°C

Weight / Peso

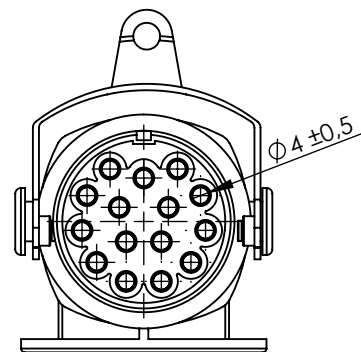
2170 gr

B



B

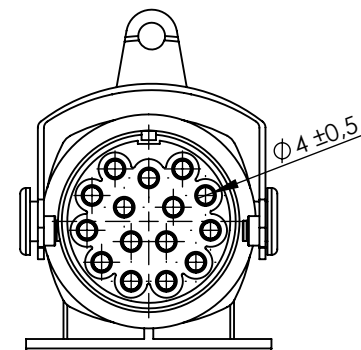
C



C

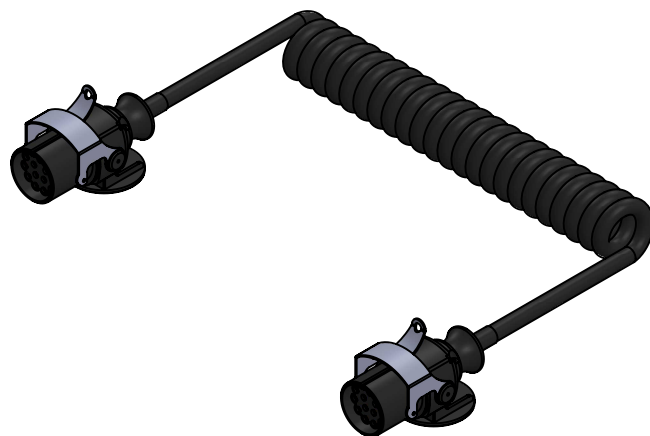
VIEW / VISTA A
15 PIN ISO (1)

D



D

E



E

VIEW / VISTA A
15 PIN ISO (2)

F

Modification

4

Drawn

3

26/08/20 S.F.

2

Checked

1

S.F.

02/08/23

Add table of continuity between pins

26/08/20 E.L.

nº

Modified

Date

Reason

General Tolerance

Assembly

Comments

ISO 2768 c-K

Part name

Serpentine 15Terminal 24V Type-S/N/
Serpentina 15Pin 24V Tipo-S/N

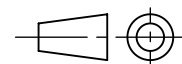
Material

ID. Reference

2260109

Scale: 1/5

Review: 1

Sheet
1/2

F

1

2

3

4

Continuity between pins / Continuidad entre pines

7 PIN ISO (1)

7 PIN ISO (2)

1

1

2

2

3

3

4

4

5

5

6

6

7

7

8

8

9

9

10

10

11

11

12

12

13

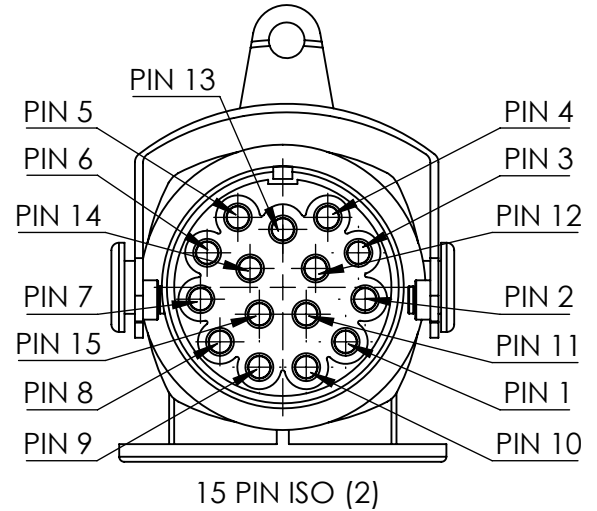
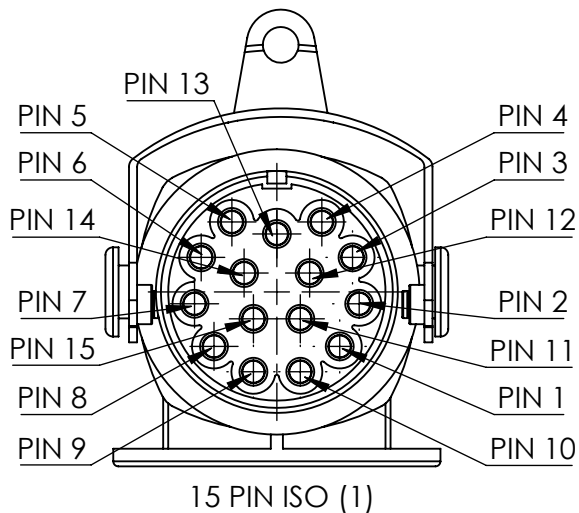
13

14

14

15

15



Modification	4				Drawn
	3				26/08/20 S.F.
	2				Checked
	1	S.F.	02/08/23	Add table of continuity between pins	26/08/20 E.L.
F	nº	Modified	Date	Reason	General Tolerance
	Comments				Assembly

Drawn
26/08/20 S.F.
Checked
26/08/20 E.L.

cojali

Comments		ISO 2768 c-K	Part name	Serpentine 15Terminal 24V Type-S/N/ Serpentina 15Pin 24V Tipo-S/N	
		Material	ID. Reference	2260109	
		-	Scale: 1/5		Sheet 2/2
		-	Review: 1		