

1 2 3 4 5 6 7 8

A

B

C

D

E

F

A

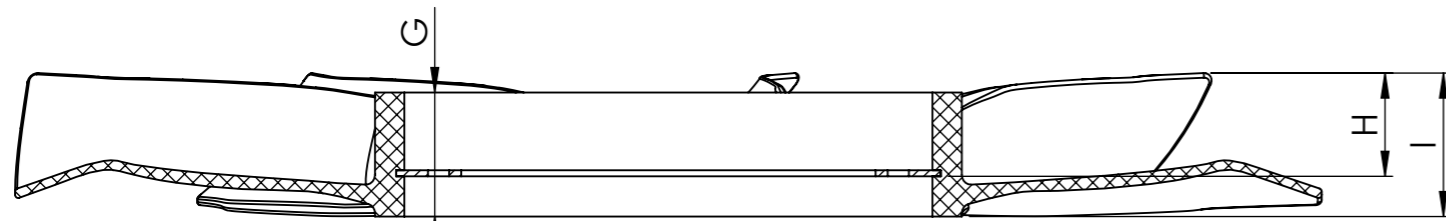
B

C

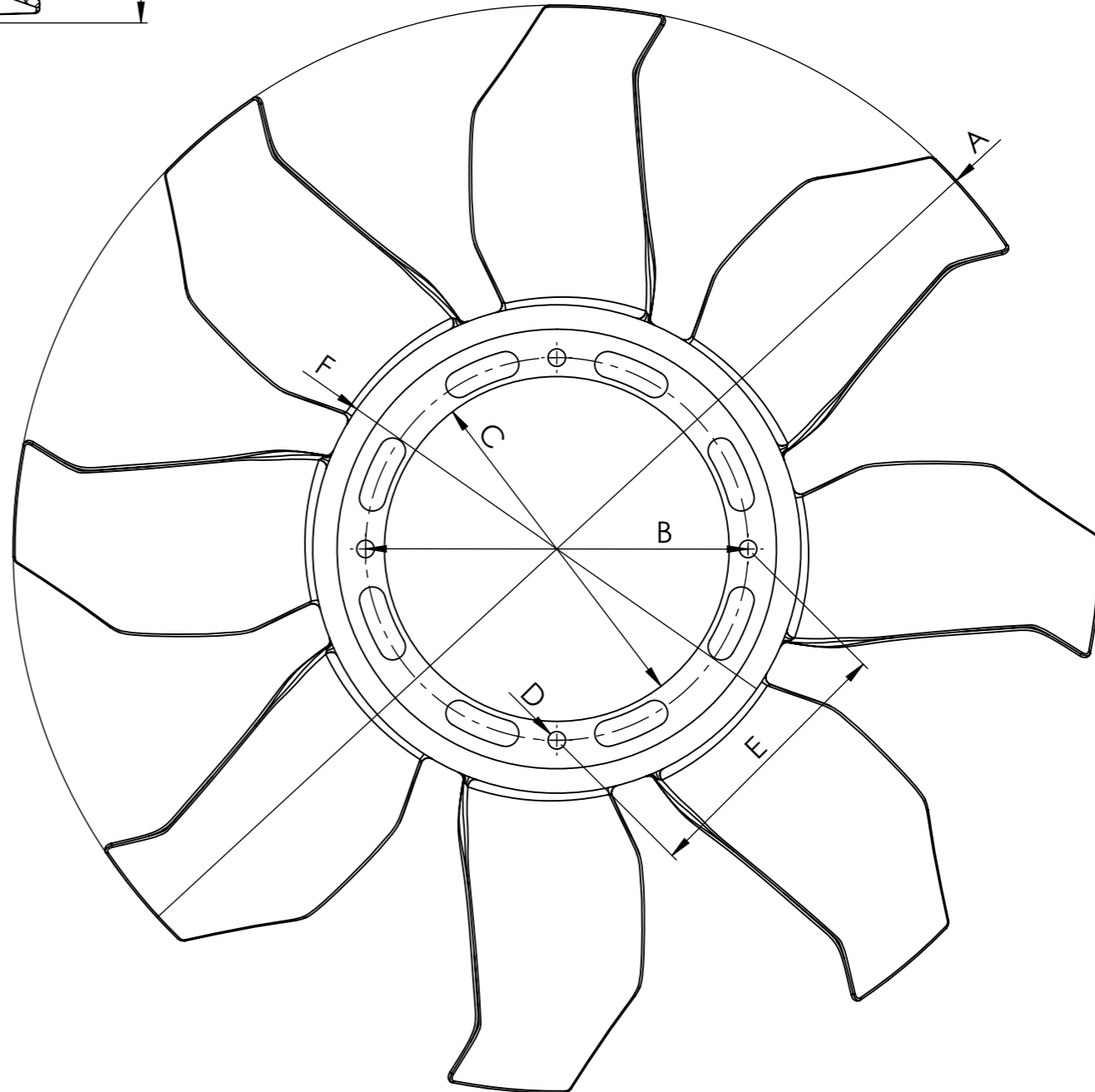
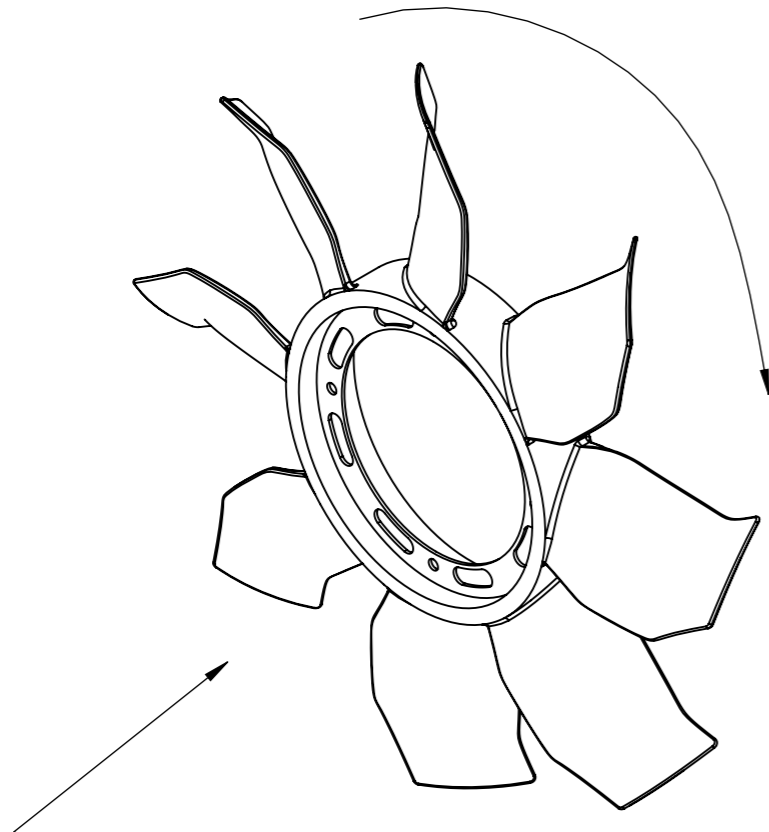
D

E

F



SECTION A-A



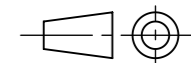
FAN WHEEL			
Ref.n°	Value	Ref.n°	Value
A	$\phi 432 \pm 3$ mm	G	$41 \pm 3$ mm
B	$\phi 152.9$ mm	H	$31.6 \pm 3$ mm
C	$\phi 137 +0.30$ mm	I	$47.2 \pm 3$ mm
D	4x $\phi 7$ mm		
E	108.1 mm		
F	$\phi 194 \pm 3$ mm		
Number of blades		8	Configuration CW

Modification n°	Modified	Date	Reason	Comments
3				
2				
1				

**Drawn**  
16/06/20 A.G.  
**Checked**  
16/06/20 R.U.

**General Tolerance**  
ISO 2768 c-K  
**Material**

**Assembly**  
**Part name** Fan wheel  
**ID. Reference** 8125610  
**Scale:** 2/5  
**Review:** 0



**Sheet**  
1/1

1 2 3 4 5 6 7 8