

1

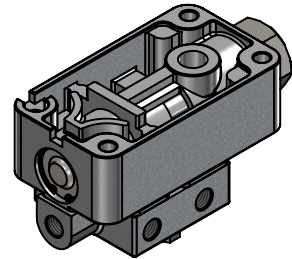
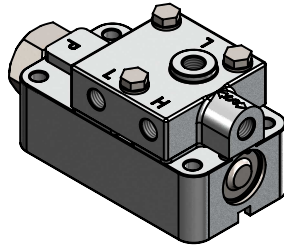
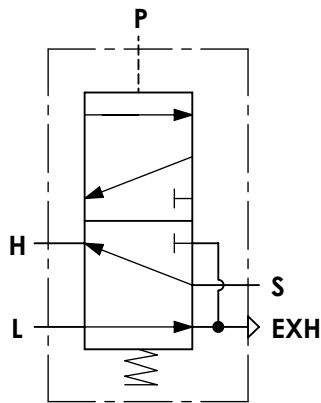
2

3

4

## A Technical sheet / Datos técnicos:

Part number adaptable to / Referencia adaptable a	A-5000
Operating pressure / Presión de trabajo	max. 10 bar
Permissible medium / Medio de funcionamiento	Air / Aire
Operating temperature range / Rango de temperatura	-40 °C to / a +80 °C
Weight / Peso	550 gr

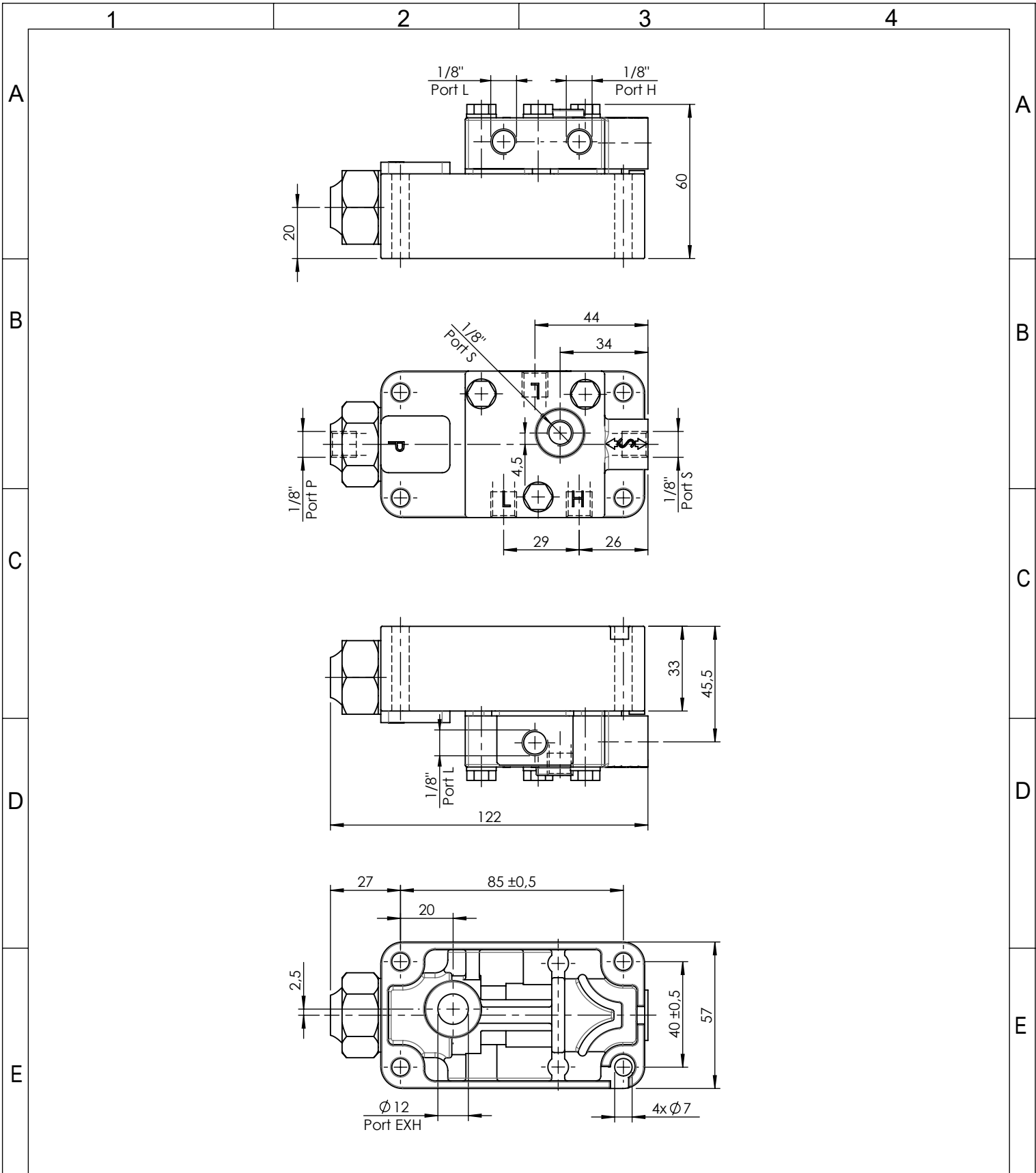


Port / Conexión	Function / Función	Thread / Rosca
S	Supply / Alimentación	2x 1/8"
H	Delivery / Salida	1/8"
L	Delivery / Salida	2x 1/8"
P	Control / Pilotaje	1/8"
EXH	Exhaust / Escape	Ø12 mm

## E Installation requirements / Requisitos para la instalación:

Mounting is accomplished with four screws M6. / El montaje se realiza mediante cuatro tornillos M6.

F	Modification	4				Drawn	
		3				26/08/19 A.I.	
		2				Checked	
		1				26/08/19 O.V.	
		nº	Modified	Date	Reason	General Tolerance	
Comments					-	Part name	Transmission valve
					Material	ID. Reference	2991108
					-	Scale: -	
					-	Review: 0	



F	Modification	4				Drawn		F
		3				26/08/19 A.I.		
		2				Checked		
		1				26/08/19 O.V.		
	nº	Modified	Date	Reason	General Tolerance	Assembly		
Comments					ISO 2768 c-K	Part name	Transmission valve	
					Material	ID. Reference	2991108	
					-	Scale: 1/2		Sheet 2/2
					-	Review: 0		