

1

2

3

4

A

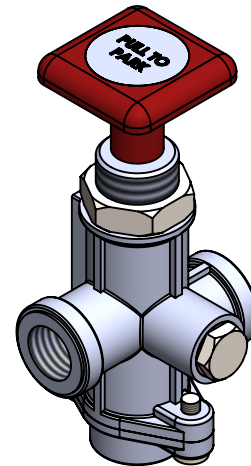
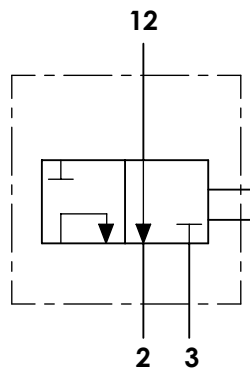
Technical sheet / Datos técnicos:

A

Part number adaptable to / Referencia adaptable a	352019001
Operating pressure / Presión de trabajo	max. 8,5 bar
Permissible medium / Medio de funcionamiento	Air / Aire
Operating temperature range / Rango de temperatura	-40 °C to / a +80 °C
Weight / Peso	400 gr

B

B



C

C

D

D

Port / Conexión	Function / Función	Thread / Rosca
12	Air supply / Alimentación	M16x1,5
2	Delivery / Salida	M16x1,5
3	Exhaust / Escape	M16x1,5

E

E

Installation requirements / Requisitos para la instalación:

Mounting is accomplished with M22x1,5 thread and nut. / El montaje se realiza mediante la rosca de M22x1,5 y la tuerca.

F

F

Modification	4				Drawn	
	3				29/01/24 S.F.	
	2				Checked	
	1				29/01/24 O.V.	
nº	Modified	Date	Reason	General Tolerance	Assembly	-
Comments				ISO 2768 c-K	Part name	Release valve
				Material	ID. Reference	2427007
				-	Scale: -	
				-	Review: 0	

1

2

3

4

A

A

B

B

C

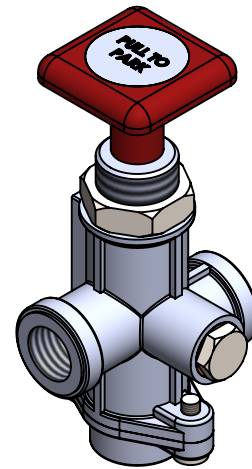
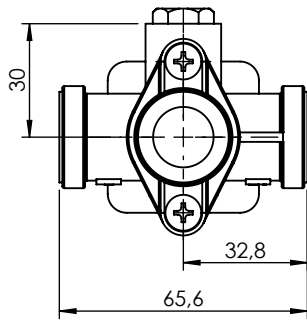
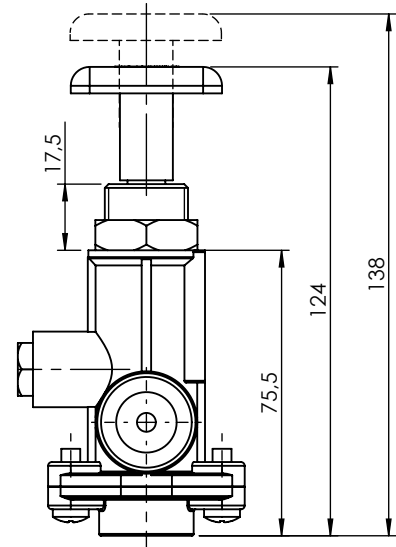
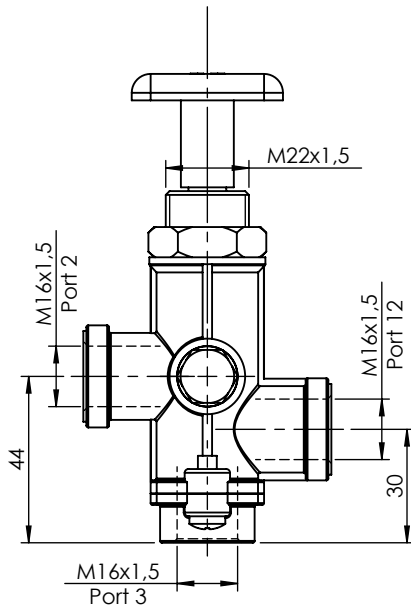
C

D

D

E

E



F

F

Modification	4					Drawn
	3					29/01/24 S.F.
	2					Checked
	1					29/01/24 O.V.
nº	Modified	Date	Reason	General Tolerance	Assembly	-
Comments				ISO 2768 c-K	Part name	Release valve
				Material	ID. Reference	2427007
				-	Scale: 1/2	
					Review: 0	