

1

2

3

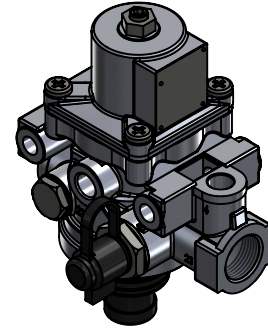
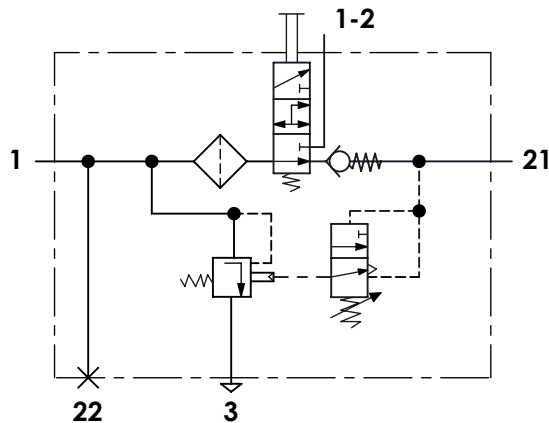
4

A

Technical sheet / Datos técnicos:

| | |
|---|---------------------|
| Part number adaptable to / Referencia adaptable a | 0481039240 |
| Opening pressure of safety valve / Presión de apertura válvula de seguridad | 11,5 bar |
| Cut-out pressure / Presión de corte | 8,5 bar |
| Permissible medium / Medio de funcionamiento | Air / Aire |
| Operating temperature range / Rango de temperatura | -40°C to / a +150°C |
| Weight / Peso | 750 gr |

B



C

D

| Port / Conexión | Function / Función | Thread / Rosca |
|-----------------|--|-------------------|
| 1 | Supply from air compressor / Alimentación desde el compresor | M22x1,5 |
| 1-2 | Tire inflation device / Dispositivo de inflado de neumáticos | M16x1,5 |
| 21 | Delivery to air dryer / Salida al secador | M22x1,5 |
| 22 | Auxiliary supply / Alimentación auxiliar | Closed / Taponada |
| 3 | Exhaust / Escape | - |

Purpose / Propósito:

Regulation of air pressure in the air reservoirs. When air reservoirs reach enough pressure, send a signal to the air dryer to start with the regeneration phase and the filter cleaning./

Regulación de la presión de aire en los depósitos de aire comprimido. Cuando los depósitos de aire comprimido tienen una presión suficiente, manda una señal a la válvula secadora para empezar con la etapa de regeneración y limpieza del filtro.

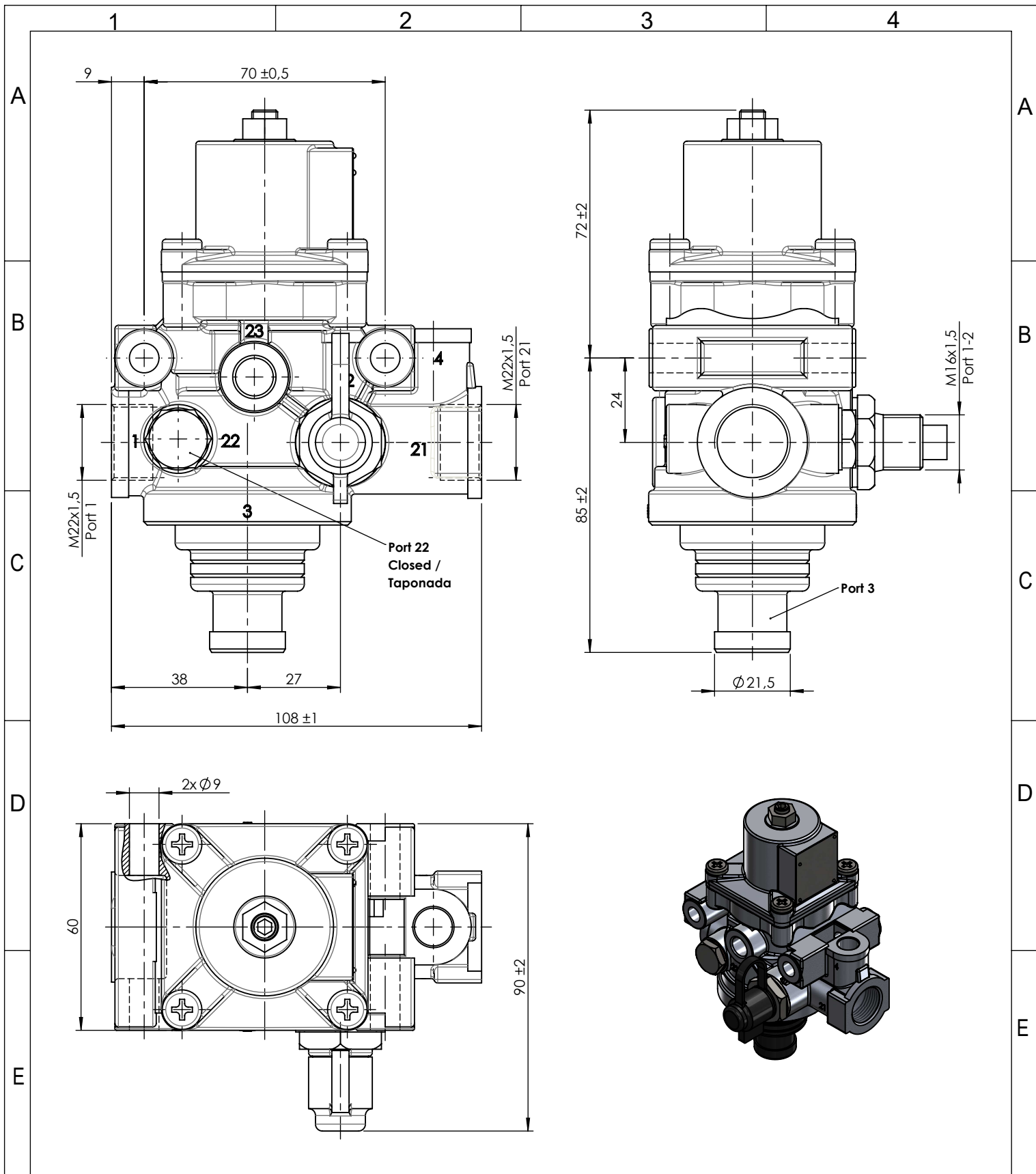
E

Installation requirements / Requisitos para la instalación:

The unloader valve should be installed so that the exhaust port points downwards. Mounting is accomplished with two M8 screws. / El regulador debe instalarse de forma que el escape quede orientado hacia abajo. El montaje se realiza con dos tornillos M8.

F

| | | | | | | | |
|--------------|----|----------|------|--------|-------------------|---------------|----------------|
| Modification | 4 | | | | Drawn | | |
| | 3 | | | | 17/09/14 A.U. | | |
| | 2 | | | | Checked | | |
| | 1 | | | | 17/09/14 A.L. | | |
| | nº | Modified | Date | Reason | General Tolerance | | Assembly |
| Comments | | | | | - | Part name | Unloader valve |
| | | | | | Material | ID. Reference | 2328110 |
| | | | | | - | Scale: - | |
| | | | | | - | Review: 0 | |



| | | | | | | | | | |
|------------------|--------------|----|----------|------|--------|-------------------|--------------|---------------|----------------|
| F | Modification | 4 | | | | Drawn | | F | |
| | | 3 | | | | 17/09/14 A.U. | | | |
| | | 2 | | | | Checked | | | |
| | | 1 | | | | 17/09/14 A.L. | | | |
| F | Comments | nº | Modified | Date | Reason | General Tolerance | Assembly | - | |
| | | | | | | | ISO 2768 c-K | Part name | Unloader valve |
| | | | | | | | Material | ID. Reference | 2328110 |
| | | | | | | | - | Scale: 2/3 | |
| | | | | | | Review: 0 | | | |
| PG/18/02 rev.1 1 | | 2 | | | 3 | | | 4 | |