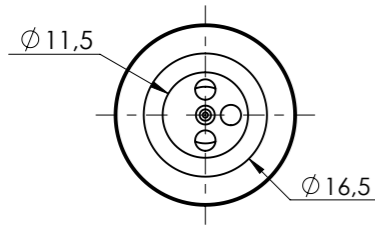
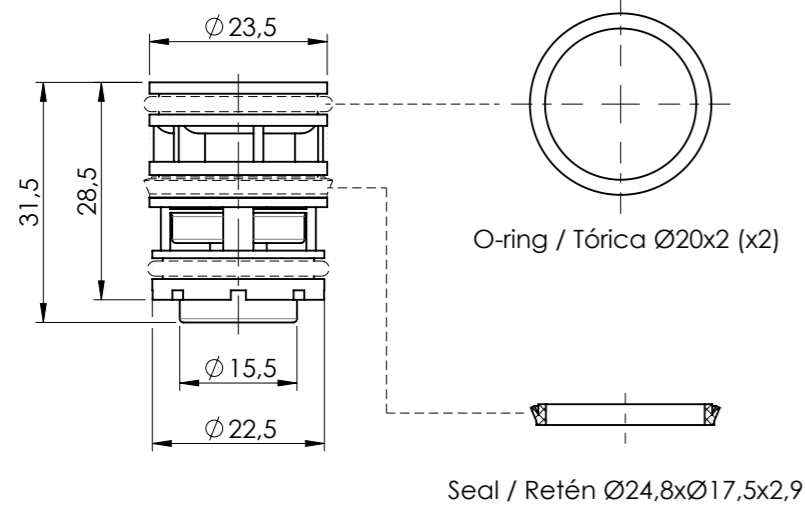


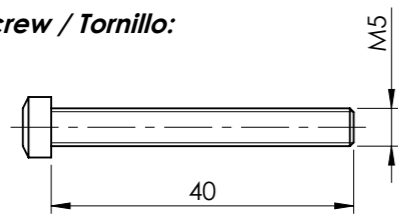
Technical data / Datos técnicos:

Permissible medium / Medio de funcionamiento	Air / Aire
Weight / Peso	500 g

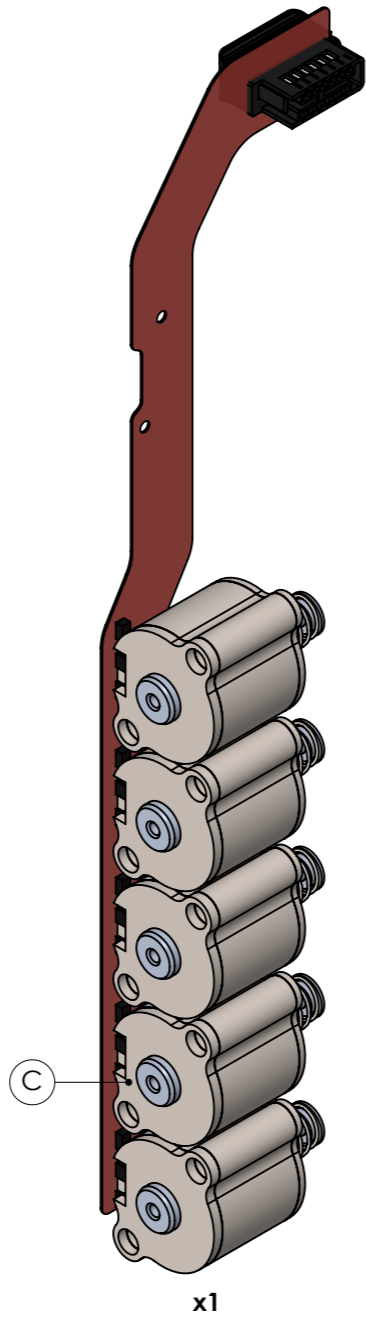
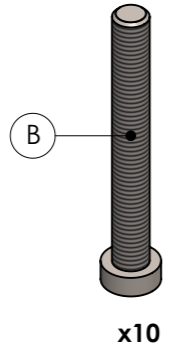
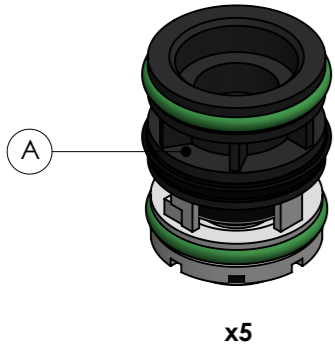
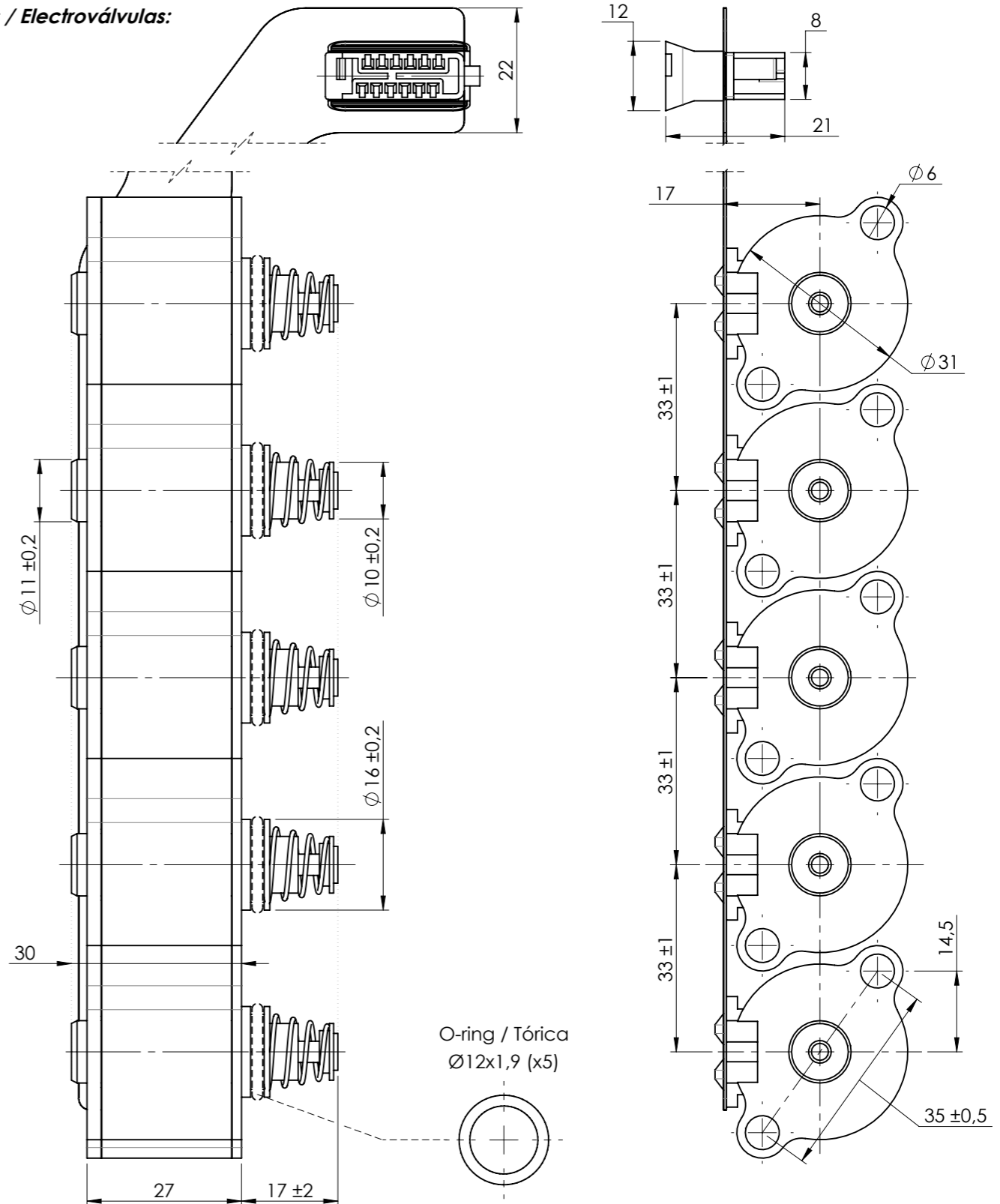
(A) Valve / Válvula:



(B) Screw / Tornillo:



(C) Solenoid valves / Electroválvulas:



Modification	4			Drawn	
	3			02/06/26 J.S.	
	2			Checked	
	1			02/06/26 JA.B.	
	nº	Modified	Date	Reason	
Comments				ISO 2768 c-K	Assembly
				Material	Part name
					ID. Reference
					Scale: 1/1
					Review: 0
					Sheet 1/1

