

1

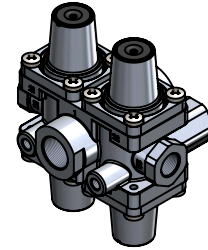
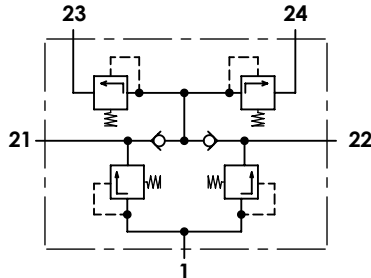
2

3

4

Technical sheet / Datos técnicos:

| | |
|--|--------------------|
| Part number adaptable to / Referencia adaptable a | 9347023000 |
| Operating pressure / Presión de trabajo | max. 20 bar |
| Permissible medium / Medio de funcionamiento | Air / Aire |
| Operating temperature range / Rango de temperatura | -40°C to / a +90°C |
| Weight / Peso | 1000 gr |



| Port / Conexión | Function / Función | | | | Thread / Rosca |
|---|---|----------|----------------------------------|----------------------|----------------|
| 1 | Supply / Alimentación | | | | M22x1,5 |
| 21 | Delivery to service brake circuit 1 / Salida al circuito del freno de servicio 1 | | | | M16x1,5 |
| 22 | Delivery to service brake circuit 2 / Salida al circuito del freno de servicio 2 | | | | M16x1,5 |
| 23 | Delivery to parking brake circuit and trailer / Salida al circuito del trailer y del freno de parking | | | | M16x1,5 |
| 24 | Delivery to auxiliary circuit / Salida al circuito de auxiliares | | | | M16x1,5 |
| Circuit / Circuito | 1 | 2 | 3 | 4 | |
| Port / Conexión | 21 | 22 | 23 | 24 | |
| Opening pressure / Presión de apertura (bar) | 7,0 ⁰ _{-0,3} | | 7,0 ⁰ _{-0,3} | | |
| Closing pressure static / Presión de cierre estática (bar) | 0 | ≥ 4,5 | ≥ 6,7 | | |
| | ≥ 4,5 | 0 | ≥ 6,7 | | |
| | 4,5 ^{+0,7%} | | 0 | 4,5 ^{+0,7%} | |
| | 4,5 ^{+0,7%} | | 4,5 ^{+0,7%} | 0 | |

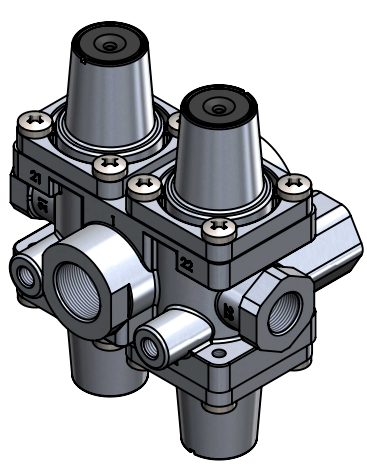
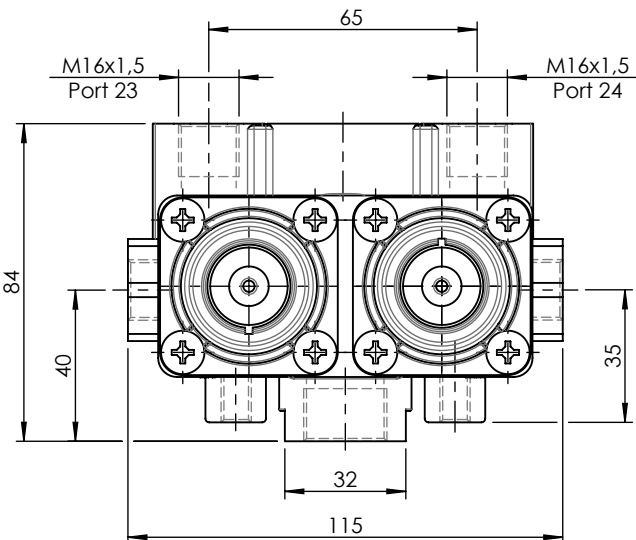
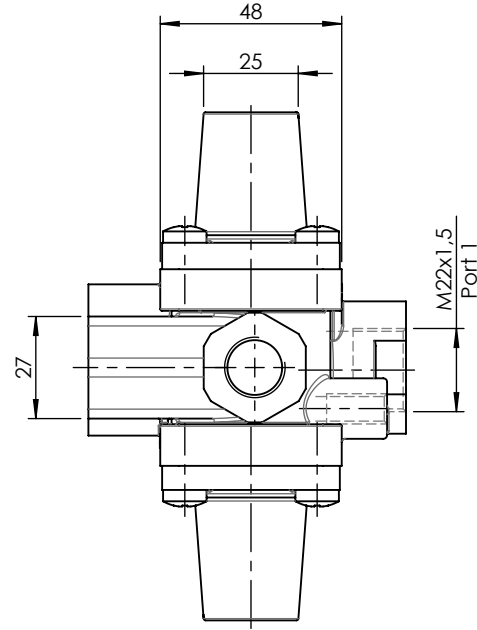
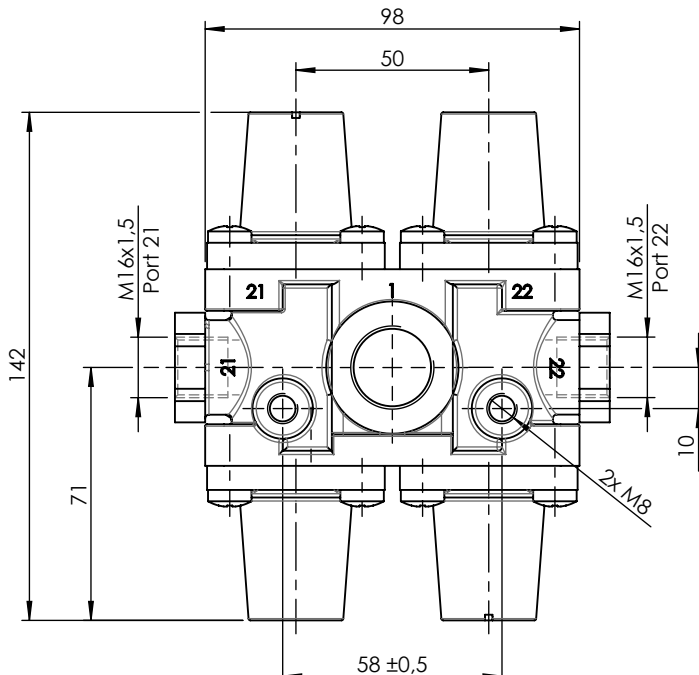
Purpose / Propósito:


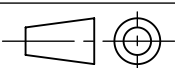
To distribute clean and dry air from the air dryer to different pneumatic circuits. Ensure pressure in brake circuits in case of leaks or breakage in any circuit. / Distribuir el aire limpio y seco proveniente del secador a los diferentes circuitos neumáticos. Asegurar la presión en los circuitos de freno en caso de fuga o rotura en cualquier circuito.

E Installation requirements / Requisitos para la instalación:

The protection valve may be installed into the piping in any position. Mounting is accomplished by using two screws M8. / La válvula de protección puede instalarse en las tuberías en cualquier posición. El montaje se realiza mediante dos tornillos M8.

| | | | | | | | | |
|--------------|----|----------|----------|------------------------|-------------------|-----------|--------------------------|-----------|
| Modification | 4 | | | | Drawn | | | |
| | 3 | | | | 05/09/13 O.V. | | | |
| | 2 | | | | Checked | | | |
| | 1 | J.S. | 02/06/21 | Change of sheet format | 05/09/13 A.L. | | | |
| | nº | Modified | Date | Reason | General Tolerance | | Assembly | |
| Comments | | | | | - | Part name | Protection circuit valve | |
| | | | | | - | Material | ID. Reference | 222236 |
| | | | | | - | Scale: - | | Sheet 1/2 |
| | | | | | - | Review: 1 | | |



| | | | | | | | | |
|---|--------------------|---|------|-------------------|------------------------|---|---|---|
| F | Modification n° | 4 | | | | Drawn |  | F |
| | | 3 | | | | 05/09/13 O.V. | | |
| | | 2 | | | | Checked | | |
| | | 1 | J.S. | 02/06/21 | Change of sheet format | 05/09/13 A.L. | | |
| | | | | | | | | |
| | Comments | | | General Tolerance | Assembly | - | | |
| | | | | ISO 2768 c-K | Part name | Protection circuit valve | | |
| | | | | Material | ID. Reference | 2222236 | | |
| | | | | - | Scale: 1/2 |  | Sheet 2/2 | |
| | | | | | Review: 1 | | | |