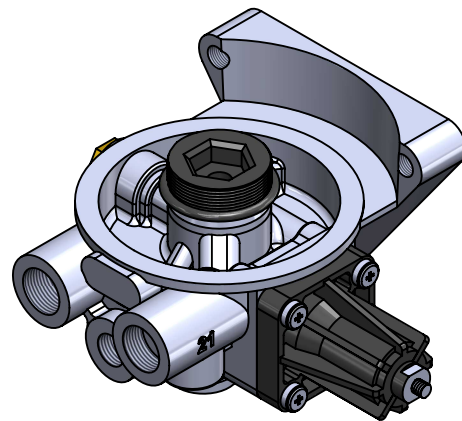
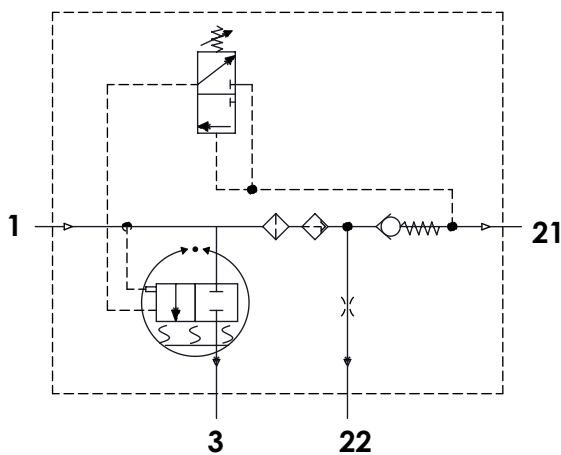


**Technical Sheet / Datos Técnicos:**

|   |                        |
|---|------------------------|
| Part number adaptable to / Referencia adaptable a:  | 432 410 116 0          |
| Working pressure / Presión de trabajo:              | Max = 13 bar           |
| Unloader / Regulador de presión:                    | Integrated / Integrado |
| Cut-out pressure / Presión de corte:                | 10±0.3 bar             |
| Heating / Calentador:                               | 100W / 24 V            |
| Permissible Medium / Medio de funcionamiento:       | Air / Aire             |
| Operating temperature range / Rango de temperatura: | - 40°C a / to +80°C    |
| Cut-in temperature / Temperatura de cierre:         | +7° ± 6°C              |
| Cut-off temperature / Ajuste de la temperatura:     | +29.5° ± 3°C           |
| Weight / Peso:                                      | 1540 gr                |

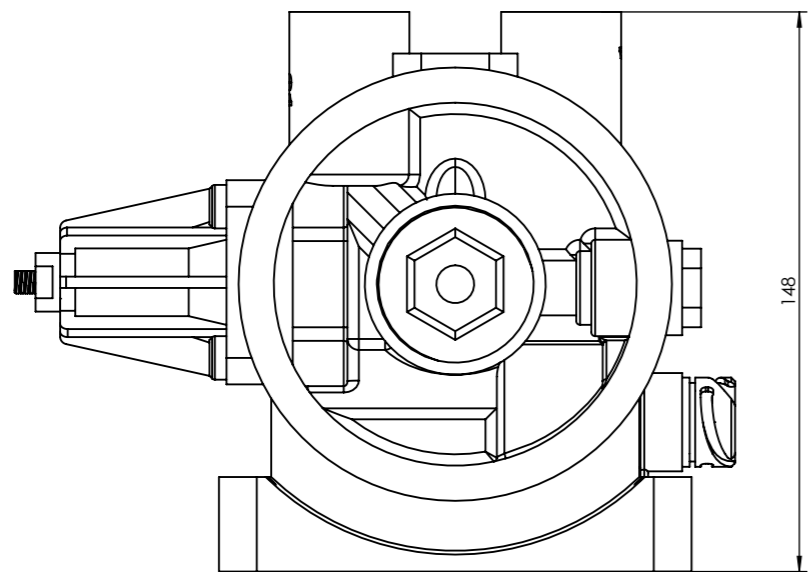
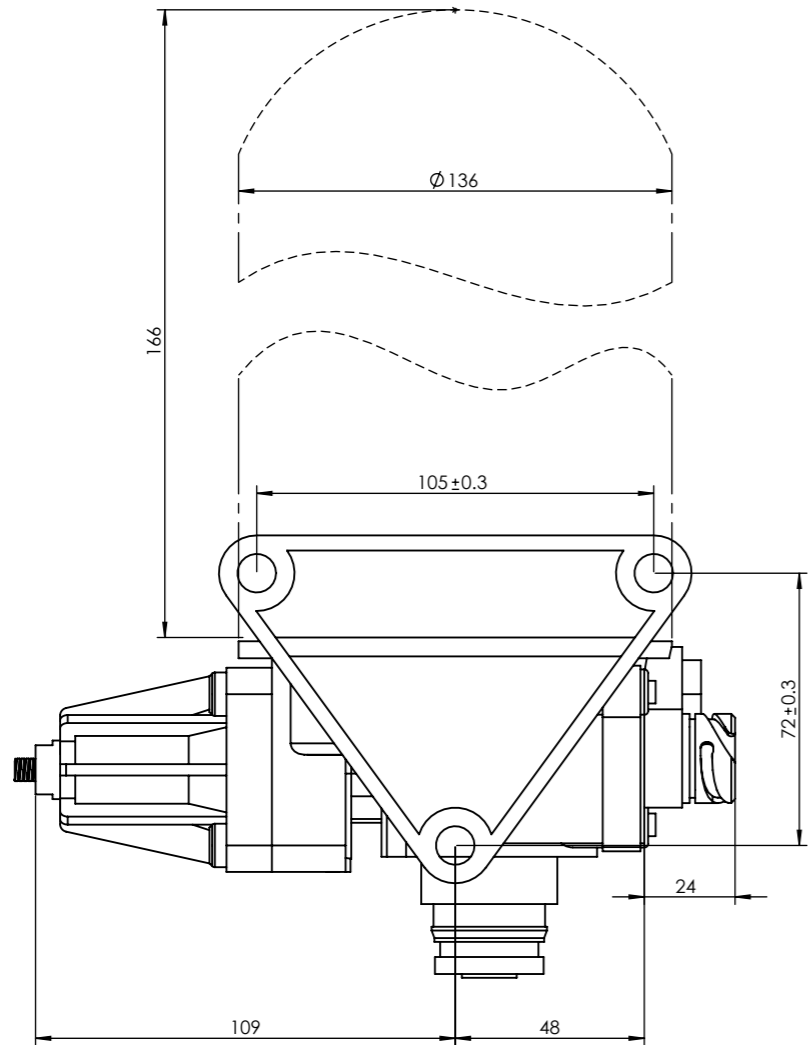


| Port / Conexión | Function / Función   | Thread / Rosca              |
|-----------------|--|-----------------------------|
| 1               | From the compressor / Proveniente del compresor                | M22x1,5 VOSS                |
| 21              | To the reservoirs / A los calderines                           | M22x1,5 VOSS                |
| 22              | To the regenerated air reservoir / Al calderín de regeneración | M16x1,5 VOSS                |
| 3               | Exhaust for compressed air / Escape de aire comprimido         | -                           |
| 6               | Heating / Calentador   | Bayonet<br>DIN 72585 A1-2.1 |

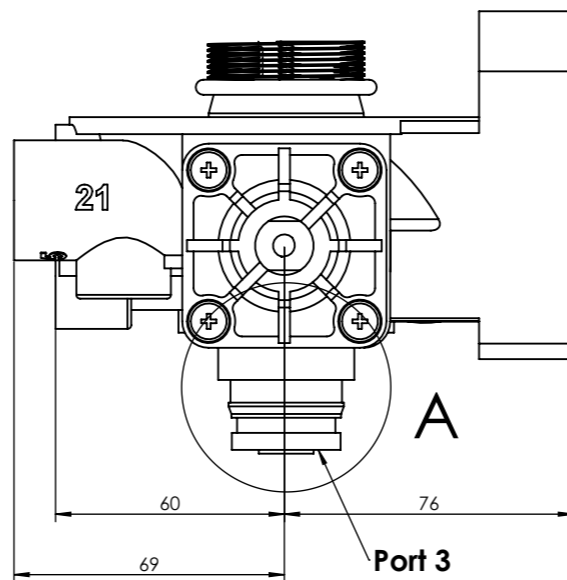
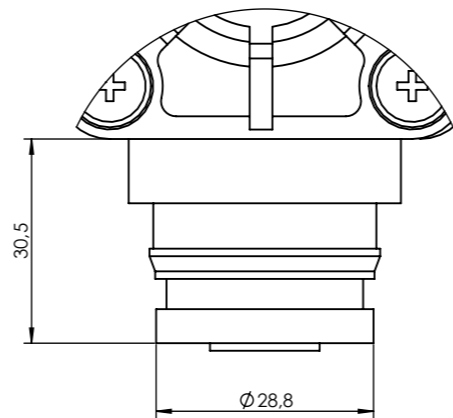
**Purpose / Finalidad:** Drying of the compressed air supplied by the compressor. / Secado del aire comprimido procedente del compresor.

**Installation / Instalación:** Exhaust (3) must look down. / El escape de aire (3) debe estar orientado hacia abajo.

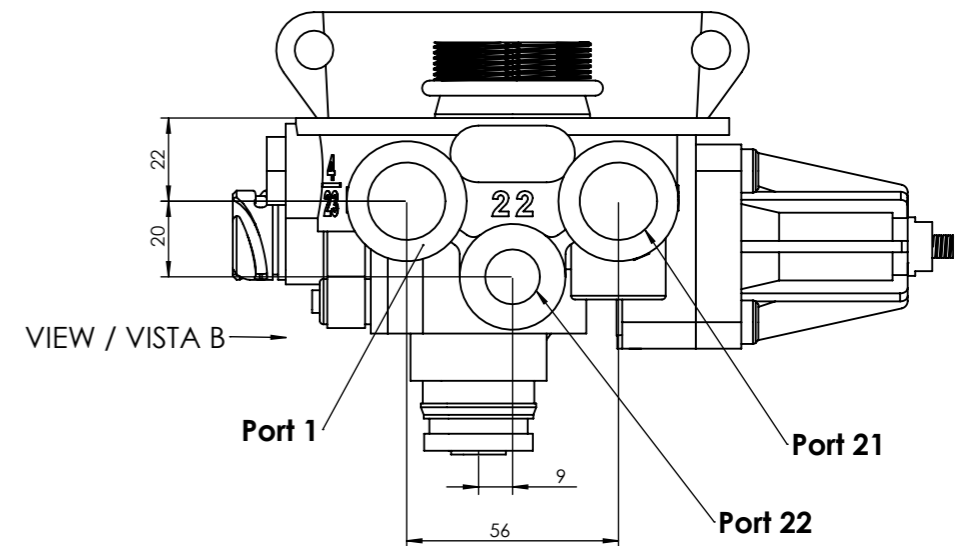
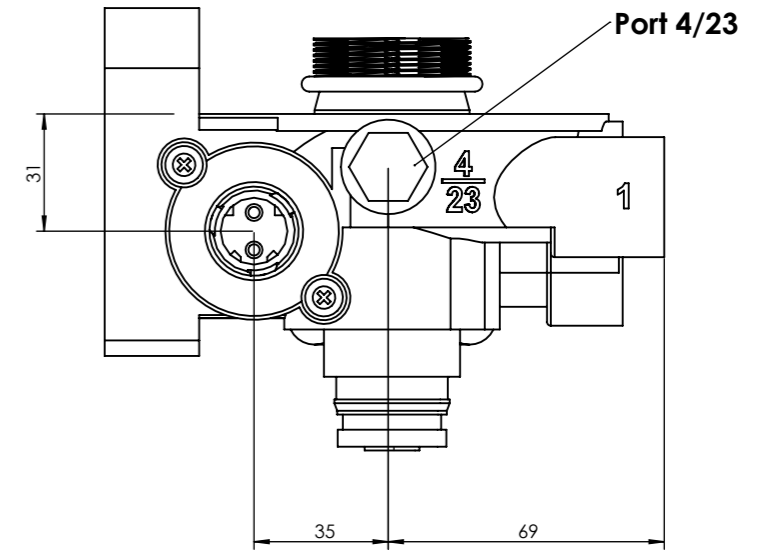
|              |          |          |      |        |                   |           |               |                             |
|--------------|----------|----------|------|--------|-------------------|-----------|---------------|-----------------------------|
| Modification | 4        |          |      |        | Drawn             |           |               |                             |
|              | 3        |          |      |        | 09/06/14 A.U.     |           |               |                             |
|              | 2        |          |      |        | Checked           |           |               |                             |
|              | 1        |          |      |        | 09/06/14 A.L.     |           |               |                             |
| F            | nº       | Modified | Date | Reason | General Tolerance | Assembly  | -             |                             |
|              | Comments |          |      |        |                   | -         | Part name     | Air Dryer / Secador de aire |
|              |          |          |      |        |                   | Material  | ID. Reference | 2210162                     |
|              |          |          |      |        |                   | -         | Scale: -      |                             |
|              |          |          |      |        | -                 | Review: 0 | Sheet 1/2     |                             |





DETAIL / DETALLE A  
SCALE / ESCALA 1 : 1



VIEW / VISTA B



|              |             |      |        |                   |   |   |
|--------------|-------------|------|--------|-------------------|---|---|
| Modification | 4           |      |        | Drawn             |  |   |
|              | 3           |      |        | 09/06/14 A.U.     |   |   |
|              | 2           |      |        | Checked           |   |   |
|              | 1           |      |        | 09/06/14 A.L.     |   |   |
|              | nº Modified | Date | Reason | General Tolerance | Assembly  | -   |
| Comments     |             |      |        | ISO 2768 c-K      | Part name   | Air Dryer / Secador de aire   |
|              |             |      |        | Material          | ID. Reference   | 2210162   |
|              |             |      |        |                   | Scale: 1/2  |  |
|              |             |      |        |                   | Review: 0   |   |