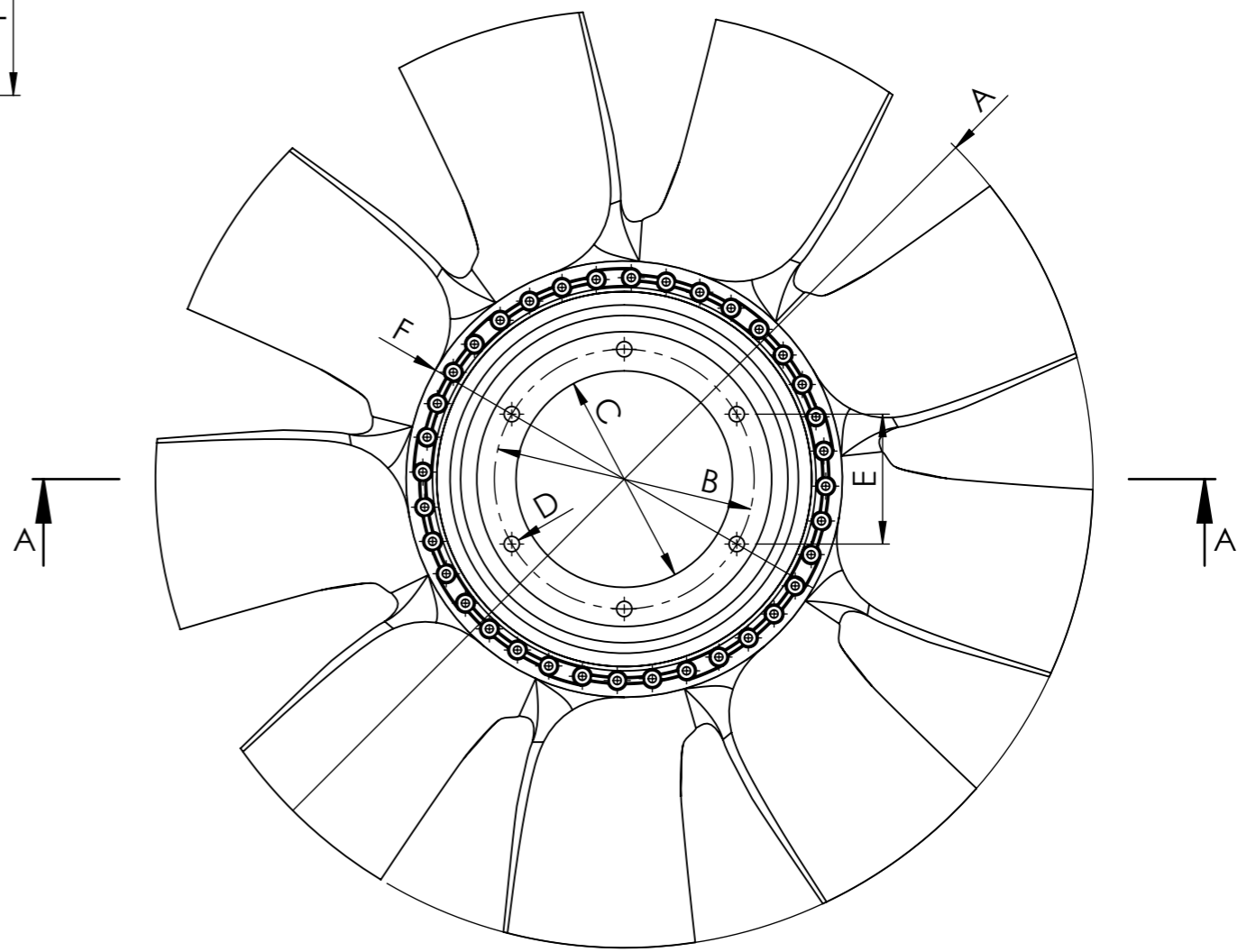
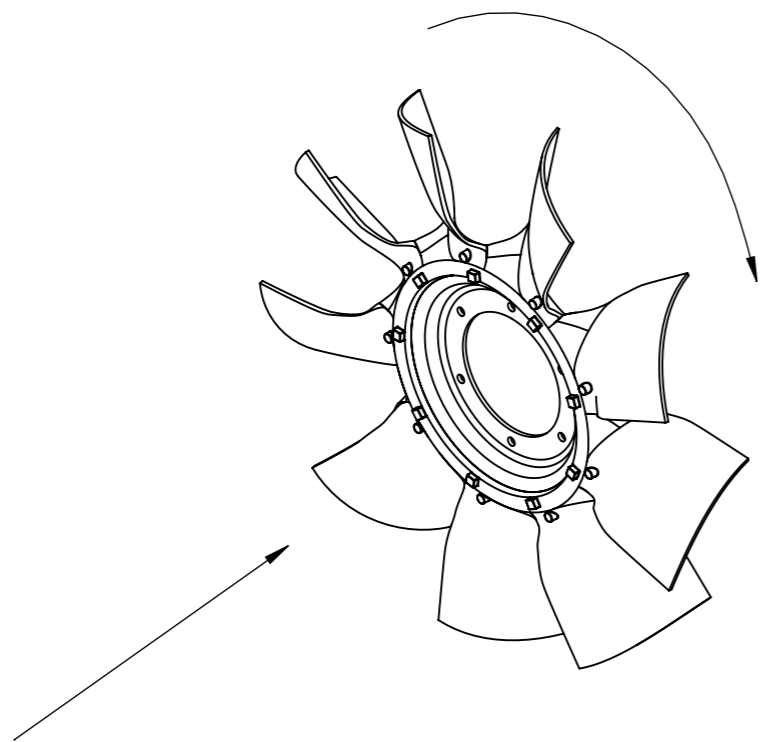


SECCIÓN A-A



FAN WHEEL			
Ref.nº	Value	Ref.nº	Value
A	$\phi 550 \pm 3$ mm	G	25.5 ± 3 mm
B	$\phi 152.4$ mm	H	34.5 ± 3 mm
C	$\phi 127 +0.30$ mm	I	88.2 ± 3 mm
D	6x $\phi 9$ mm		
E	76.2 mm		
F	$\phi 256 \pm 3$ mm		
Number of blades		9	Configuration
			CW

Modification nº	Modified	Date	Reason	Comments
3				
2				
1				

Drawn	09/06/20 A.G.	
Checked	09/06/20 R.U.	
General Tolerance	ISO 2768 c-K	Assembly Part name Technical sheet
Material		ID. Reference Fan wheel
Scale: 1/4		Review: 0
		Sheet 1/1

