

1

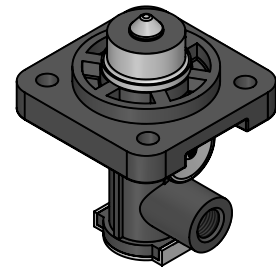
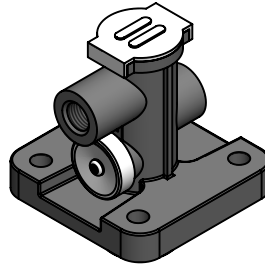
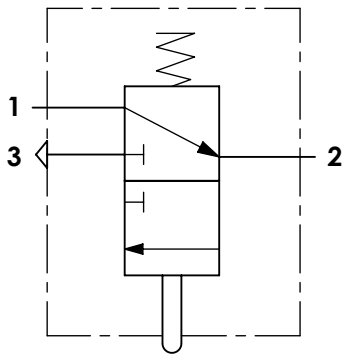
2

3

4

## A Technical sheet / Datos técnicos:

Part number adaptable to / Referencia adaptable a	1068952
Operating pressure / Presión de trabajo	max. 10 bar
Permissible medium / Medio de funcionamiento	Air / Aire
Operating temperature range / Rango de temperatura	-25°C to / a +120°C
Weight / Peso	200 gr

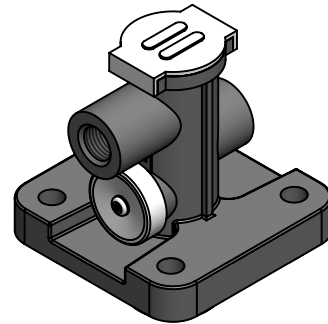
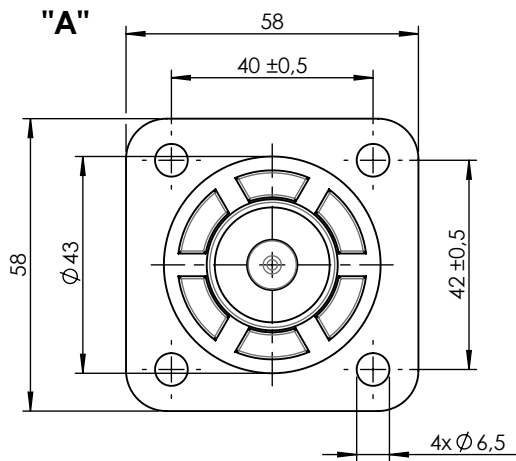
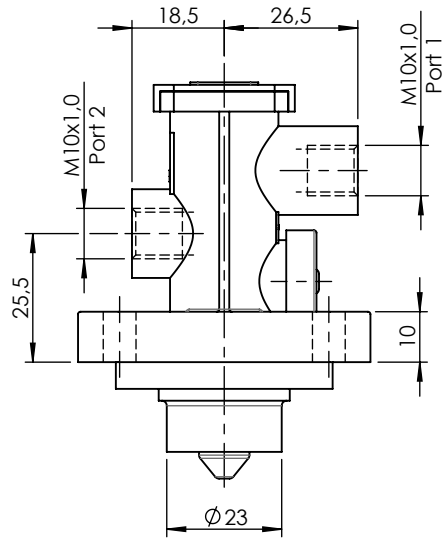
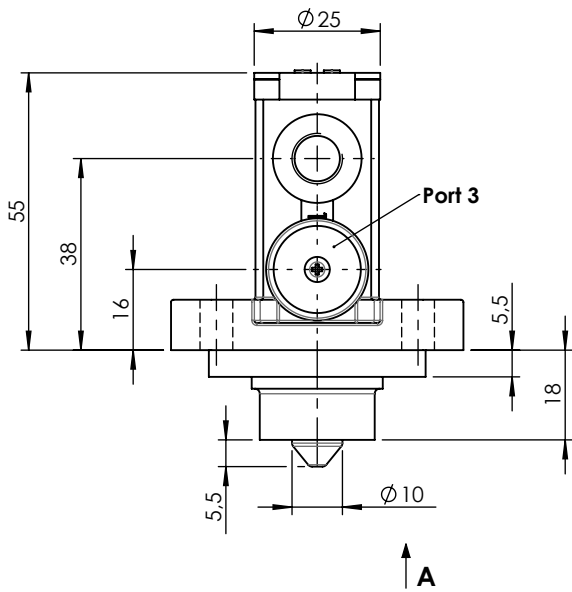


Port / Conexión	Function / Función	Thread / Rosca
1	Supply / Alimentación	M10x1,0
2	Delivery / Salida	M10x1,0
3	Exhaust / Escape	-

## E Installation requirements / Requisitos para la instalación:

Mounting is accomplished with four screws M6. / El montaje se realiza mediante cuatro tornillos M6.

Modification	4				Drawn		
	3				10/09/20 J.S.		
	2				Checked		
	1				10/09/20 O.V.		
F	nº	Modified	Date	Reason	General Tolerance	Assembly	-
	Comments				-	Part name	Gearbox valve
					Material	ID. Reference	2880239
					-	Scale: -	
				-	Review: 0		



F	Modification	4				Drawn		F
		3				10/09/20 J.S.		
		2				Checked		
		1				10/09/20 O.V.		
	nº	Modified	Date	Reason	General Tolerance	Assembly		
Comments					ISO 2768 c-K	Part name	Gearbox valve	
					Material	ID. Reference	2880239	
					-	Scale: 2/3		Sheet 2/2
					-	Review: 0		