

1

2

3

4

A

Technical sheet / Datos técnicos:

A

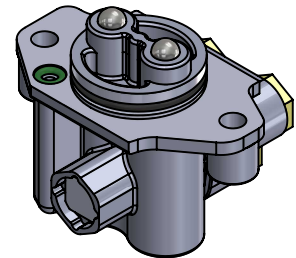
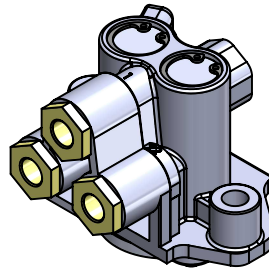
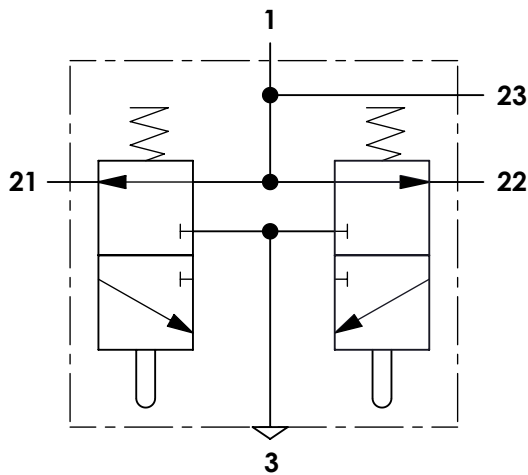
Part number adaptable to / Referencia adaptable a	0022606157
Operating pressure / Presión de trabajo	max. 10 bar
Permissible medium / Medio de funcionamiento	Air / Aire
Operating temperature range / Rango de temperatura	-25°C to / a +120°C
Weight / Peso	450 gr

B

B

C

C



D

D

Port / Conexión	Function / Función	Thread / Rosca
1	Supply / Alimentación	M16x1,5 + Adapter/Adaptador VOSS-230 NG8
21	Delivery / Salida	M16x1,5 + Adapter/Adaptador VOSS-230 NG8
22	Delivery / Salida	M16x1,5 + Adapter/Adaptador VOSS-230 NG8
23	Delivery / Salida	Ø4,5 mm
3	Exhaust / Escape	-

E

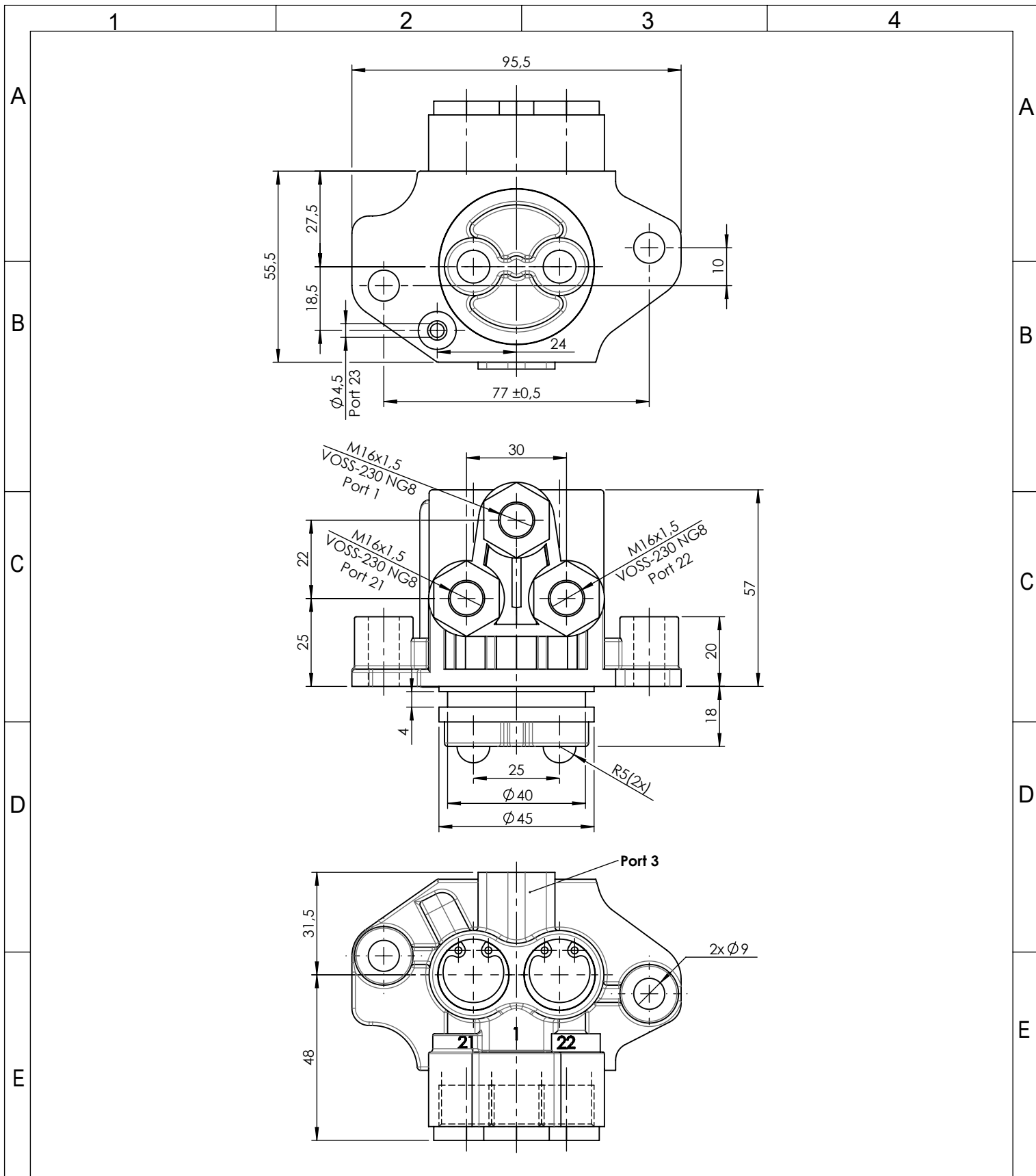
Installation requirements / Requisitos para la instalación:


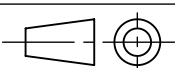
Mounting is accomplished with two screws M8. / El montaje se realiza mediante dos tornillos M8.

F

F

Modification	4				Drawn			
	3				19/05/20 R.A.			
	2				Checked			
	1				19/05/20 O.V.			
	nº	Modified	Date	Reason	General Tolerance		Assembly	-
Comments					-	Part name	Gearbox valve	
					Material	ID. Reference	2880196	
					-	Scale: -		Sheet 1/2
					-	Review: 0		



F	Modification	4				Drawn		F
		3				19/05/20 R.A.		
		2				Checked		
		1				19/05/20 O.V.		
	n°	Modified	Date	Reason	General Tolerance	Assembly		
Comments					ISO 2768 c-K	Part name	Gearbox valve	
					Material	ID. Reference	2880196	
					-	Scale: 2/3		Sheet 2/2
						Review: 0		
PG/18/02 rev.1 1					2	3	4	