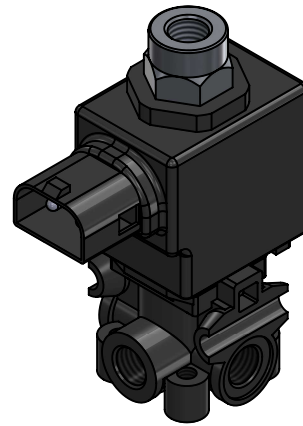
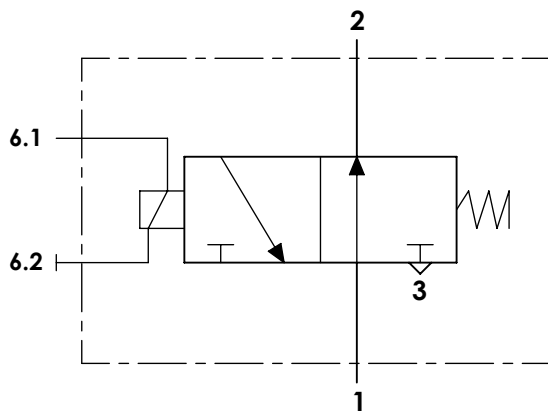


Technical sheet / Datos técnicos:

Part number adaptable to / Referencia adaptable a	8143019
Operating pressure / Presión de trabajo	max. 9 bar
Voltage / Voltaje	24 V
Permissible medium / Medio de funcionamiento	Air / Aire
Operating temperature range / Rango de temperatura	-40°C to / a +80°C
Weight / Peso	350 gr



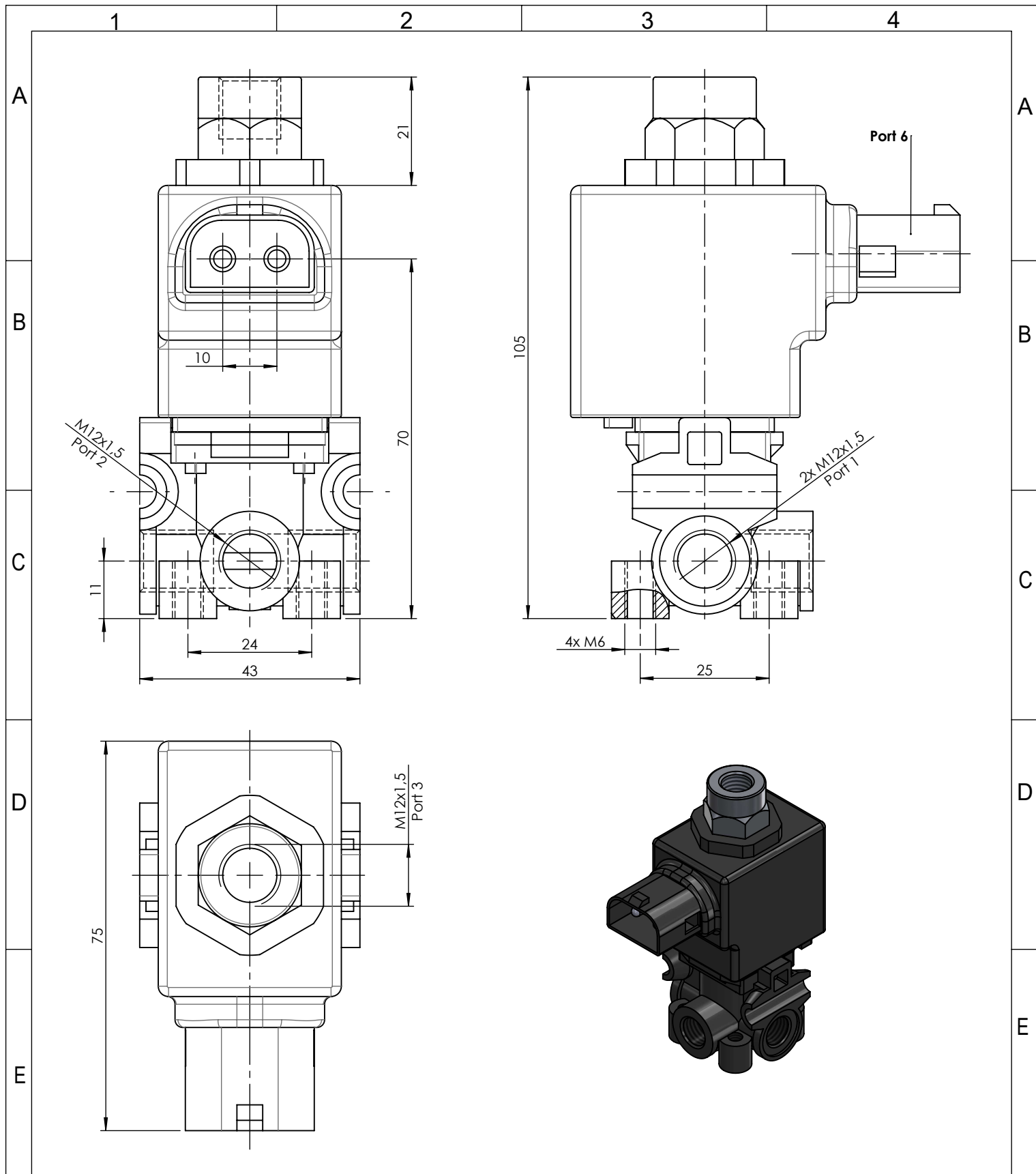
Port / Conexión	Function / Función	Thread / Rosca
1	Supply / Alimentación	2x M12x1,5
2	Delivery / Salida	M12x1,5
3	Exhaust / Escape	M12x1,5
6	Electric connection / Conexión eléctrica	Conector 2 pin

Installation requirements / Requisitos para la instalación:

Mounting is accomplished with four screws M6. / El montaje se realiza mediante cuatro tornillos M6.

Modification	4				Drawn		
	3				09/04/18 S.Y.		
	2				Checked		
	1				09/04/18 O.V.		
	nº	Modified	Date	Reason	General Tolerance	Assembly	
Comments					-	Part name	Gearbox valve
					Material	ID. Reference	2880124
					-	Scale: -	
					-	Review: 0	

cojali



F	Modification	4				Drawn		F
		3				09/04/18 S.Y.		
		2				Checked		
		1				09/04/18 O.V.		
	n°	Modified	Date	Reason	General Tolerance	Assembly	-	
Comments					ISO 2768 c-K	Part name	Gearbox valve	
					Material	ID. Reference	2880124	
					-	Scale: 1/1		Sheet 2/2
						Review: 0		
PG/18/02 rev.1 1					2	3	4	