

1

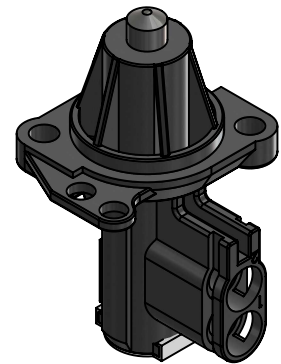
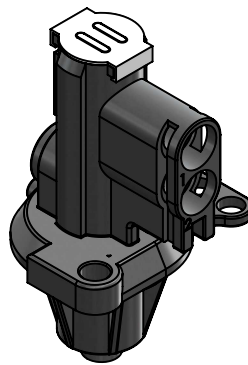
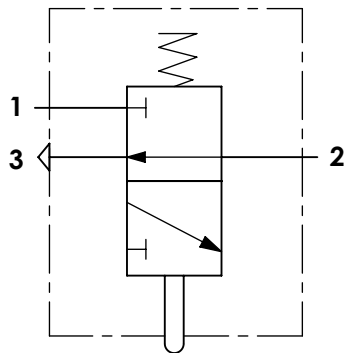
2

3

4

A Technical sheet / Datos técnicos:

Part number adaptable to / Referencia adaptable a	1672231
Operating pressure / Presión de trabajo	max. 10 bar
Permissible medium / Medio de funcionamiento	Air / Aire
Operating temperature range / Rango de temperatura	-25°C to / a +120°C
Weight / Peso	250 gr



Port / Conexión	Function / Función	Thread / Rosca
1	Supply / Alimentación	Ø10 mm
2	Delivery / Salida	Ø10 mm
3	Exhaust / Escape	-

E Installation requirements / Requisitos para la instalación:

Mounting is accomplished with four screws M8. / El montaje se realiza mediante cuatro tornillos M8.

F	Modification	4				Drawn	
		3				09/04/18 S.Y.	
		2				Checked	
		1				09/04/18 O.V.	
		nº	Modified	Date	Reason	General Tolerance	
Comments					-	Part name	Gearbox valve
					Material	ID. Reference	2880122
					-	Scale: -	
					-	Review: 0	

1 2 3 4

A

A

B

B

C

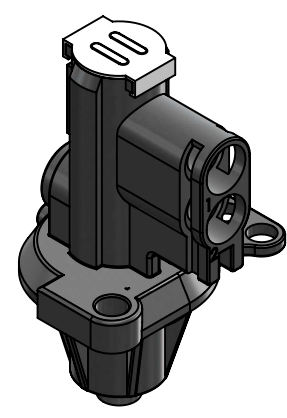
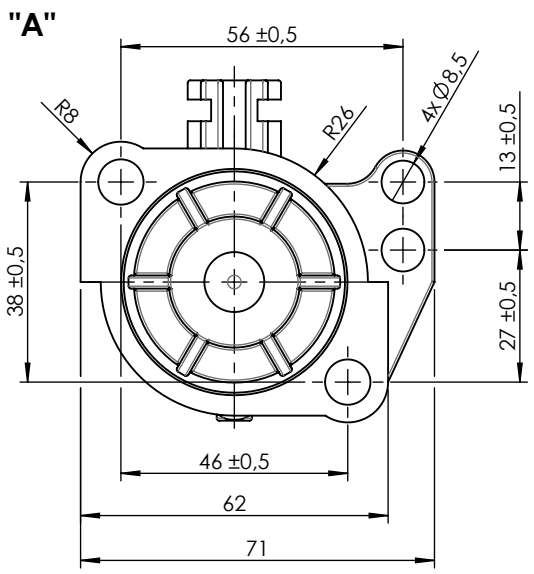
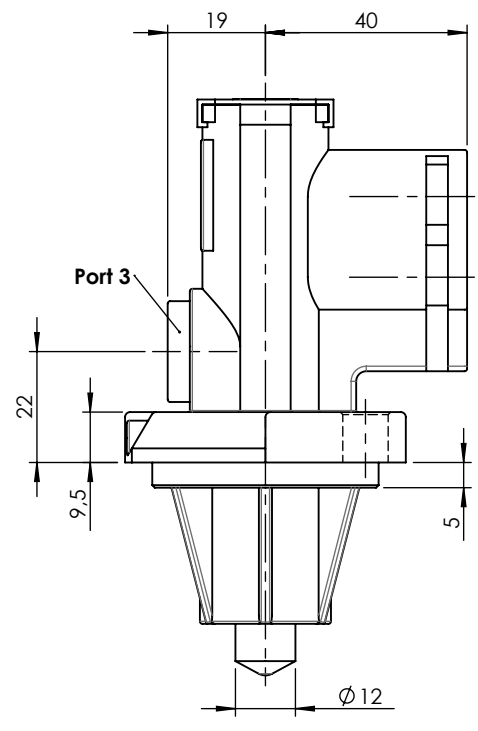
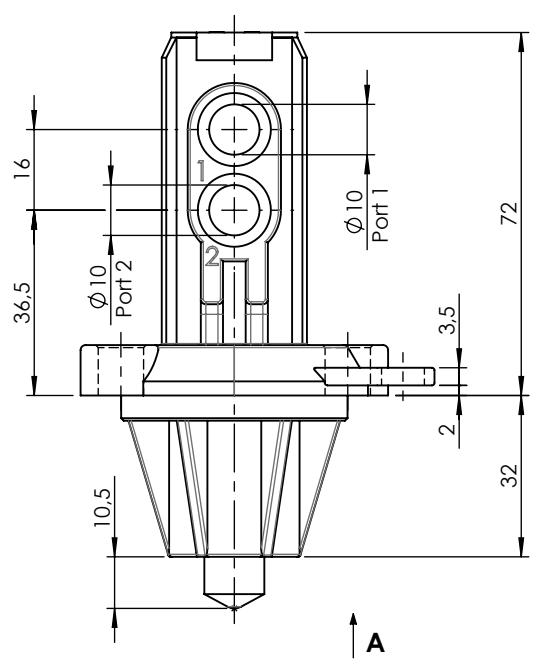
C

D

D

E

E



F	Modification	4				Drawn		F
		3				09/04/18 S.Y.		
		2				Checked		
		1				09/04/18 O.V.		
	nº	Modified	Date	Reason	General Tolerance	Assembly		
Comments					ISO 2768 c-K	Part name	Gearbox valve	
					Material	ID. Reference	2880122	
					-	Scale: 2/3		Sheet 2/2
					-	Review: 0		