

1

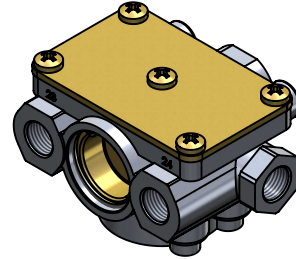
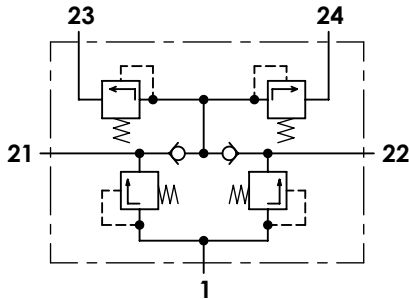
2

3

4

**Technical sheet / Datos técnicos:**

|  |                      |
|--|----------------------|
| Part number adaptable to / Referencia adaptable a  | VPS41AY              |
| Operating pressure / Presión de trabajo            | max. 15 bar          |
| Permissible medium / Medio de funcionamiento       | Air / Aire           |
| Operating temperature range / Rango de temperatura | -40 °C to / a +80 °C |
| Weight / Peso                                      | 750 gr               |



| Port / Conexión   | Function / Función  |          |                                  |          | Thread / Rosca |
|---|---|----------|----------------------------------|----------|----------------|
| <b>1</b>  | Supply / Alimentación   |          |                                  |          | M22x1,5        |
| <b>21</b>   | Delivery to service brake circuit 1 / Salida al circuito del freno de servicio 1                      |          |                                  |          | M16x1,5        |
| <b>22</b>   | Delivery to service brake circuit 2 / Salida al circuito del freno de servicio 2                      |          |                                  |          | M16x1,5        |
| <b>23</b>   | Delivery to parking brake circuit and trailer / Salida al circuito del trailer y del freno de parking |          |                                  |          | M16x1,5        |
| <b>24</b>   | Delivery to auxiliary circuit / Salida al circuito de auxiliares                                      |          |                                  |          | M16x1,5        |
| <b>Circuit / Circuito</b>   | <b>1</b>  | <b>2</b> | <b>3</b>                         | <b>4</b> |                |
| <b>Port / Conexión</b>  | 21  | 22       | 23                               | 24       |                |
| <b>Opening pressure / Presión de apertura (bar)</b>               | 7,5 <sup>+0,3</sup> <sub>0</sub>  |          | 7,5 <sup>+0,3</sup> <sub>0</sub> |          |                |
| <b>Closing pressure static / Presión de cierre estática (bar)</b> | 0   | ≥ 5,2    | ≥ 5,2                            |          |                |
|   | ≥ 5,2   | 0        | ≥ 5,2                            |          |                |
|   | ≥ 5,2   |          | 0                                | ≥ 5,2    |                |
|   | ≥ 5,2   |          | ≥ 5,2                            | 0        |                |

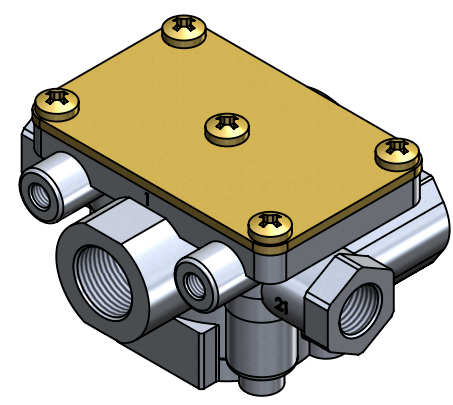
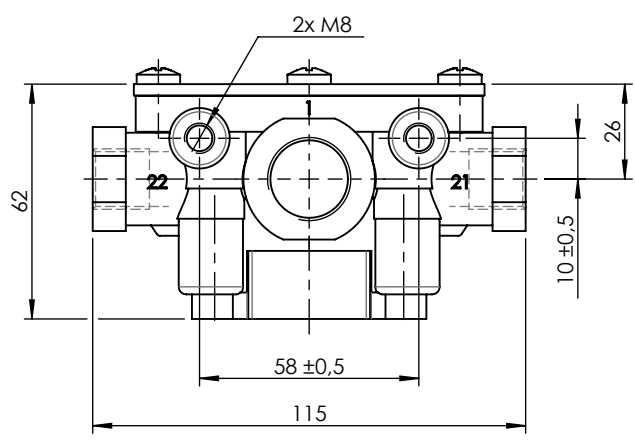
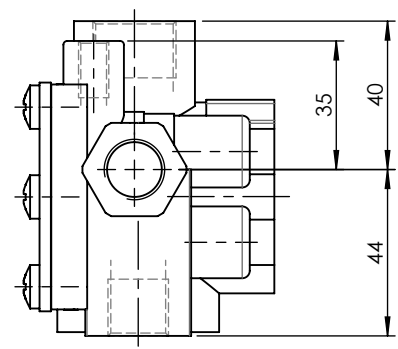
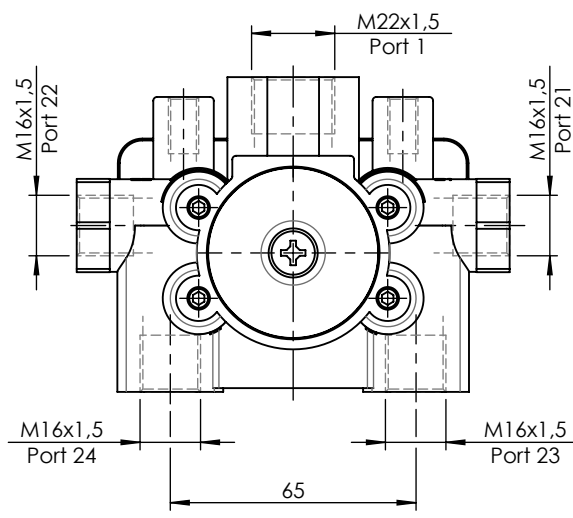
**Purpose / Propósito:**


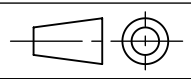
To distribute clean and dry air from the air dryer to different pneumatic circuits. Ensure pressure in brake circuits in case of leaks or breakage in any circuit. / Distribuir el aire limpio y seco proveniente del secador a los diferentes circuitos neumáticos. Asegurar la presión en los circuitos de freno en caso de fuga o rotura en cualquier circuito.

**Installation requirements / Requisitos para la instalación:**

The protection valve may be installed into the piping in any position. Mounting is accomplished by using two screws M8. / La válvula de protección puede instalarse en las tuberías en cualquier posición. El montaje se realiza mediante dos tornillos M8.

|              |    |          |          |                        |                   |                          |           |
|--------------|----|----------|----------|------------------------|-------------------|--------------------------|-----------|
| Modification | 4  |          |          |                        | Drawn             |                          |           |
|              | 3  |          |          |                        | 30/08/13 A.U.     |                          |           |
|              | 2  |          |          |                        | Checked           |                          |           |
|              | 1  | J.S.     | 02/06/21 | Change of sheet format | 30/08/13 A.L.     |                          |           |
|              | nº | Modified | Date     | Reason                 | General Tolerance |                          | Assembly  |
| Comments     |    |          |          |                        | Part name         | Protection circuit valve |           |
|              |    |          |          |                        | Material          | ID. Reference            | 2319200   |
|              |    |          |          |                        | Scale: -          |                          | Sheet 1/2 |
|              |    |          |          |                        | Review: 1         |                          |           |



|   |                    |   |      |                   |                        |   |   |   |
|---|--------------------|---|------|-------------------|------------------------|---|---|---|
| F | Modification<br>n° | 4 |      |                   |                        | Drawn   |  | F |
|   |                    | 3 |      |                   |                        | 30/08/13 A.U.   |   |   |
|   |                    | 2 |      |                   |                        | Checked   |   |   |
|   |                    | 1 | J.S. | 02/06/21          | Change of sheet format | 30/08/13 A.L.   |   |   |
|   |                    |   |      |                   |                        |   |   |   |
|   | Comments           |   |      | General Tolerance | Assembly               | -   |   |   |
|   |                    |   |      | Material          | Part name              | Protection circuit valve  |   |   |
|   |                    |   |      |                   | ID. Reference          | 2319200   |   |   |
|   |                    |   |      |                   | Scale: 1/2             |  | Sheet 2/2   |   |
|   |                    |   |      |                   | Review: 1              |   |   |   |