

A

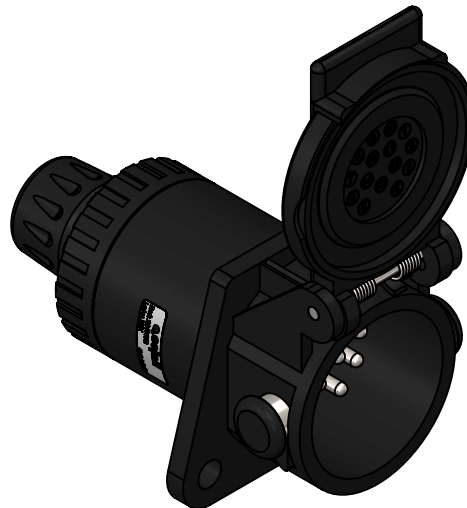
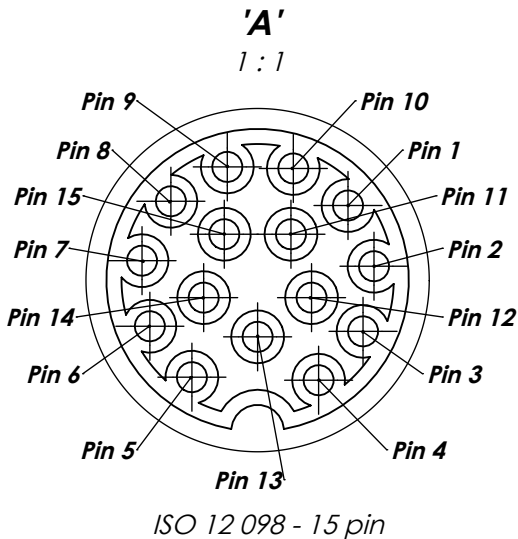
Technical sheet / Datos técnicos:

Part number adaptable to / Referencia adaptable a	8JB007242021
Weight / Peso	280 gr

A

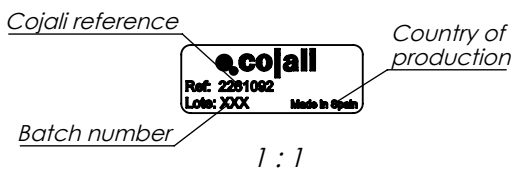
B

B



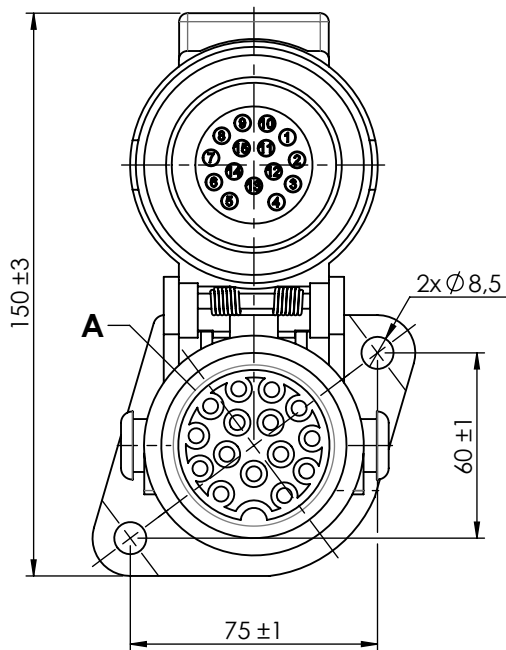
C

C



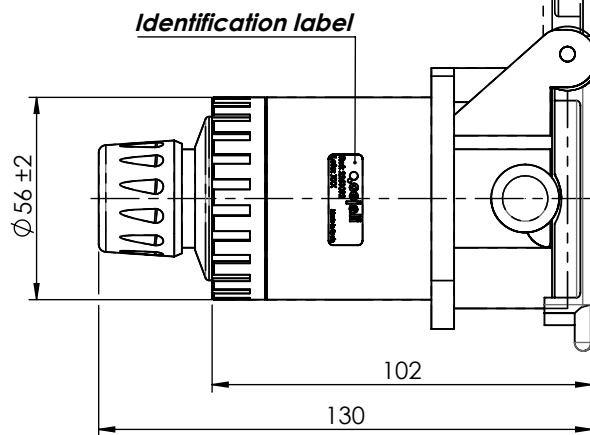
D

D



E

E



F

F

Modification	4				Drawn			
	3				08/06/22 J.S.			
	2				Checked			
	1				08/06/22 O.V.			
	nº	Modified	Date	Reason	General Tolerance	Assembly		
Comments					ISO 2768 v-K	Part name	Coil connector	
					Material	ID. Reference	2261092	
						Scale: 1/2		Sheet 1/1
						Review: 0		

