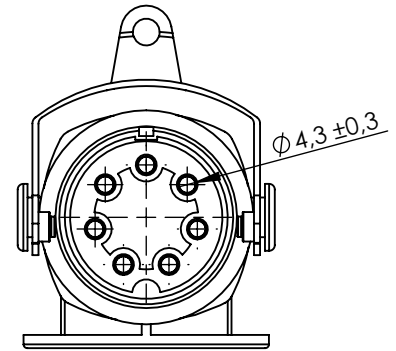
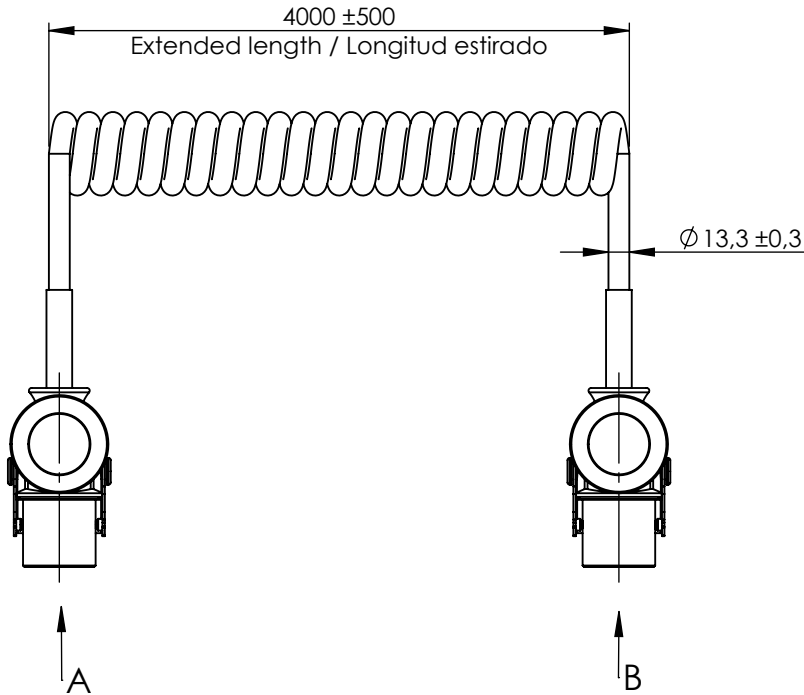
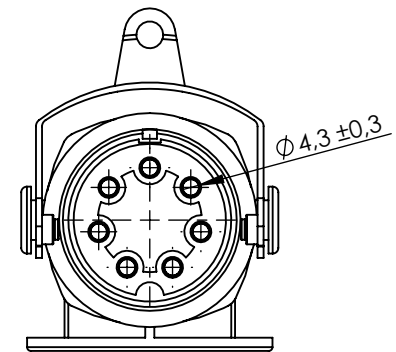
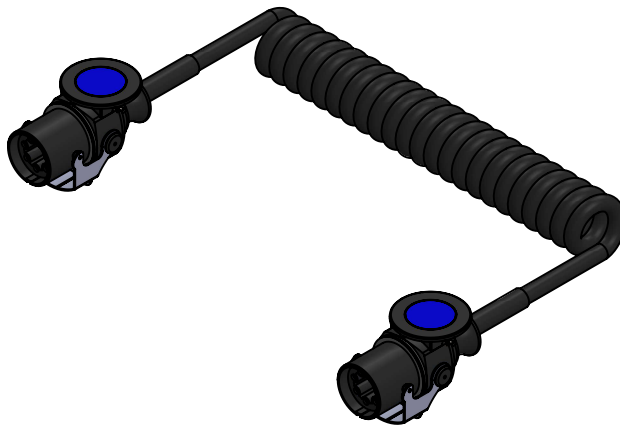


Technical data/ Datos técnicos:

| | |
|--|-----------------|
| Part number adaptable to / Referencia adaptable a | 4460082430 |
| Operating temperature range / Rango de temperatura | -40°C a/to 80°C |
| Weight / Peso | 1500 gr |



VIEW / VISTA A
7 PIN ISO (1)



VIEW / VISTA B
7 PIN ISO (2)

| | | | | | | | |
|--------------|----|----------|----------|--------------------------------------|-------------------|---------------|---|
| Modification | 4 | | | | Drawn | | |
| | 3 | | | | 25/08/20 S.F. | | |
| | 2 | | | | Checked | | |
| | 1 | S.F. | 02/08/23 | Add table of continuity between pins | 25/08/20 E.L. | | |
| | nº | Modified | Date | Reason | General Tolerance | Assembly | |
| Comments | | | | | ISO 2768 c-K | Part name | Serpentine 7Pin EBS ISO7638/ Serpentina 7Pin EBS ISO7638 |
| | | | | | Material | ID. Reference | 2260113 |
| | | | | | - | Scale: 1/5 | |
| | | | | | - | Review: 1 | |



1

2

3

4

A

A

Continuity between pins / Continuidad entre pines

7 PIN ISO (1)

7 PIN ISO (2)

1

1

2

2

3

3

4

4

5

5

6

6

7

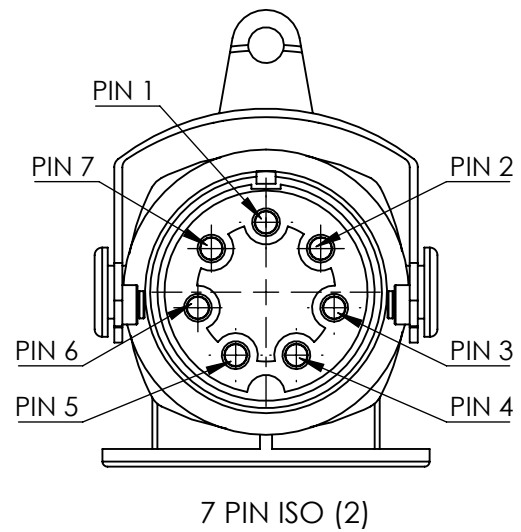
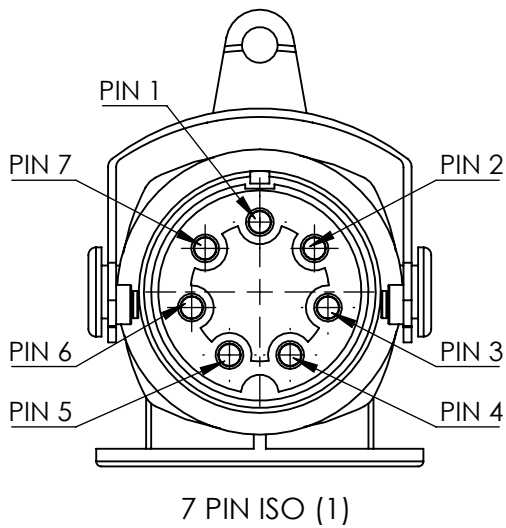
7

B

B

C

C



D


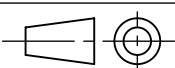
D

E

E

F

F

| | | | | | | |
|--------------|----|----------|----------|--------------------------------------|-------------------|---|
| Modification | 4 | | | | Drawn |  |
| | 3 | | | | 25/08/20 S.F. | |
| | 2 | | | | Checked | |
| | 1 | S.F. | 02/08/23 | Add table of continuity between pins | 25/08/20 E.L. | |
| | nº | Modified | Date | Reason | General Tolerance | |
| Comments | | | | ISO 2768 c-K | Part name | Serpentine 7Pin EBS ISO7638/ Serpentina 7Pin EBS ISO7638 |
| | | | | Material | ID. Reference | 2260113 |
| | | | | | Scale: 1/5 |  |
| | | | | | Review: 1 | |