

1

2

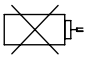
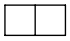


3

4

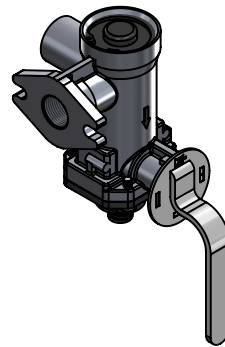
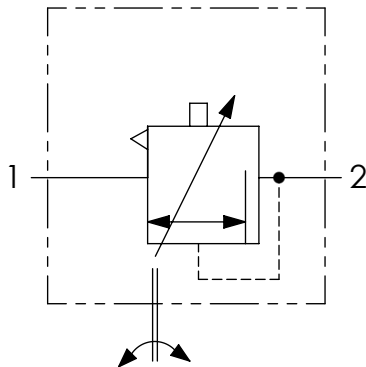
Technical sheet / Datos técnicos:

| | |
|--|--------------------|
| Part number adaptable to / Referencia adaptable a | 4756040410 |
| Operating pressure / Presión de trabajo | max. 10 bar |
| Permissible medium / Medio de funcionamiento | Air / Aire |
| Operating temperature range / Rango de temperatura | -40°C to / a +80°C |
| Weight / Peso | 650 gr |

Pressure regulation / Regulación de presión


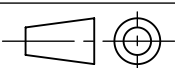
| Symbol / Símbolo | Description / Descripción | Range of adjustment / Rango de ajuste (bar) | Adjusted to / Ajustado a (bar) |
|---|--|---|--------------------------------|
|  | Release position / Posición de reposo | | |
|  | Empty position / Posición vacío | 1.4 ... 2.8 | 2.1 (-0.2) |
|  | Half load position / Posición media carga | 3.4 ... 4.3 | 4.0 (-0.2) |
|  | Full load position / Posición carga completa | | |

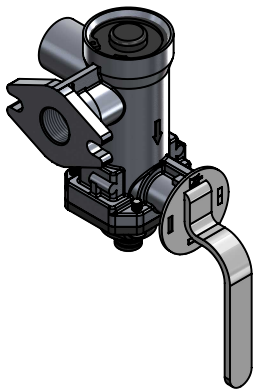
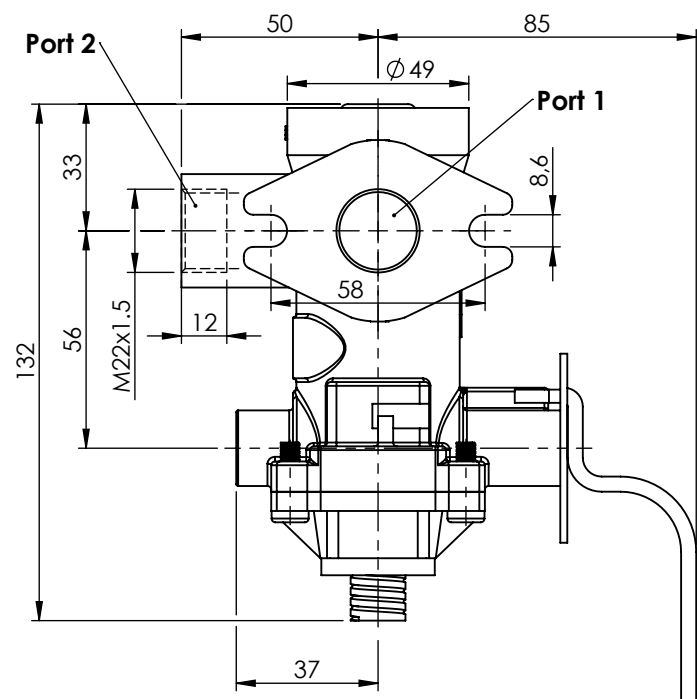
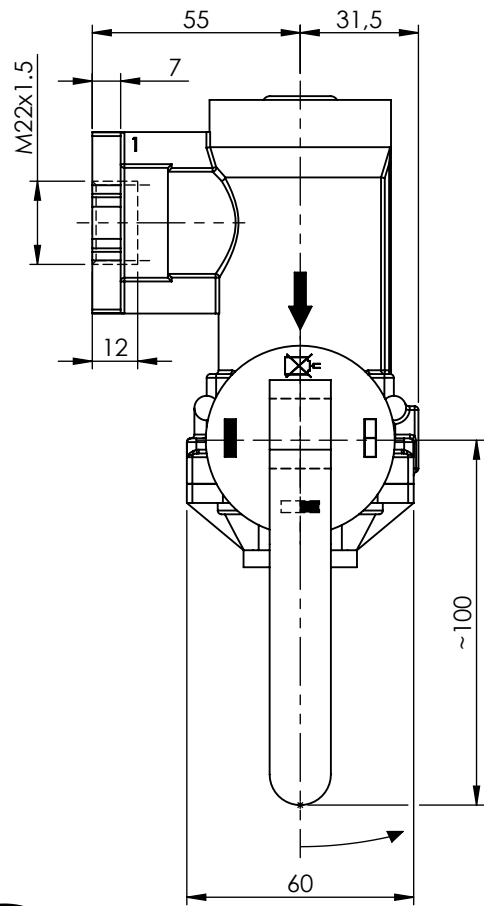
| Port / Conexión | Function / Función | Thread / Rosca |
|-----------------|-----------------------|----------------|
| 1 | Supply / Alimentación | M22x1.5 |
| 2 | Output / Salida | M22x1.5 |



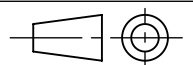
Purpose / Propósito: To regulate the pressure in the brake line of a trailer in relation to the load carrying. / Regular la presión en la línea de frenos de un trailer en relación a la carga que lleva.

Installation requirements / Requisitos para la instalación: The control valve must be attached directly to the relay emergency with the sealing. / La válvula de regulación debe unirse directamente a la válvula de emergencia relé con el anillo de cierre.

| | | | | | | | |
|--------------|----|----------|------|--------|-------------------|---|---|
| Modification | 4 | | | | Drawn |  | |
| | 3 | | | | 17/02/11 A.U. | | |
| | 2 | | | | Checked | | |
| | 1 | | | | 17/02/11 A.L. | | |
| | nº | Modified | Date | Reason | General Tolerance | | Assembly |
| Comments | | | | | - | Part name | ALB |
| | | | | | Material | ID. Reference | 2225104 |
| | | | | | - | Scale: - |  |
| | | | | | - | Review: 0 | |



| | | | | | | |
|--------------|----|----------|------|--------|-------------------|---------------|
| Modification | 4 | | | | Drawn | |
| | 3 | | | | 17/02/11 A.U. | |
| | 2 | | | | Checked | |
| | 1 | | | | 17/02/11 A.L. | |
| | nº | Modified | Date | Reason | General Tolerance | |
| Comments | | | | | ISO 2768 c-K | Assembly |
| | | | | | Material | Part name |
| | | | | | | ID. Reference |
| | | | | | | Scale: 1/2 |
| | | | | | | Review: 0 |



Sheet
2/2