

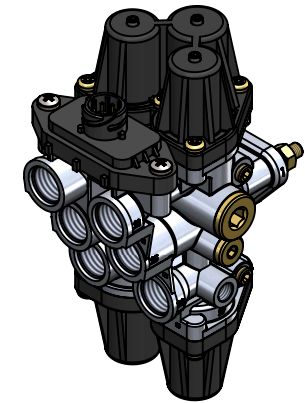
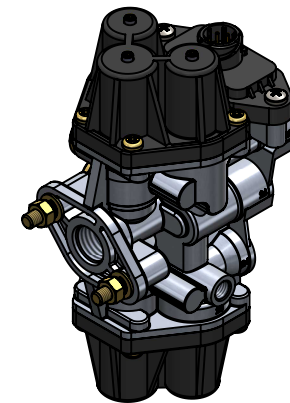
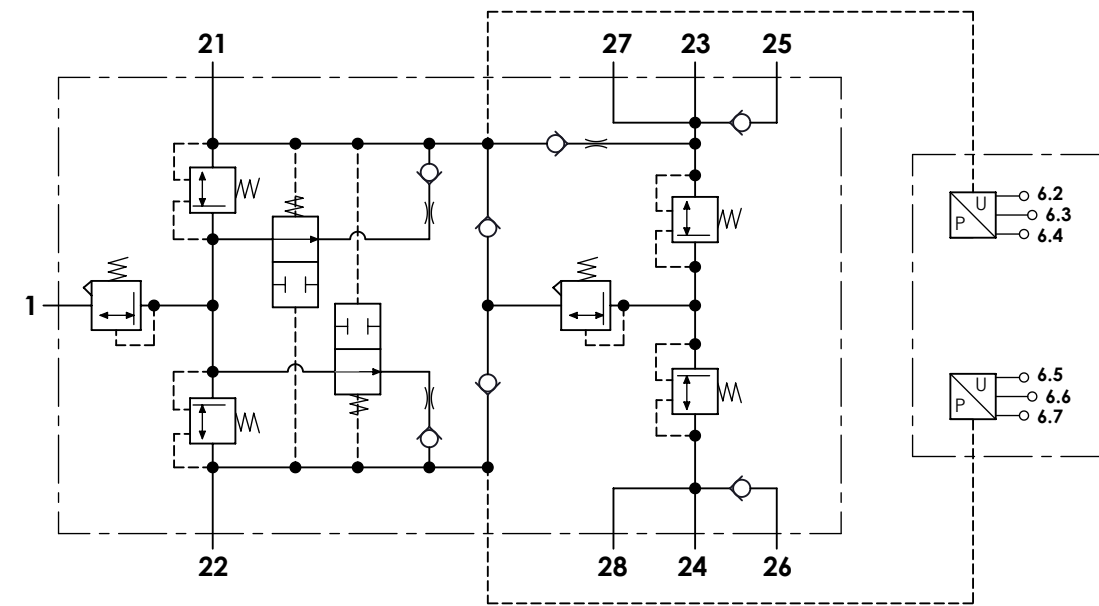
Technical sheet / Datos técnicos:

| | |
|--|----------------------|
| Part number adaptable to / Referencia adaptable a | 9347050080 |
| Operating pressure / Presión de trabajo | max. 13 bar |
| Permissible medium / Medio de funcionamiento | Air / Aire |
| Operating temperature range / Rango de temperatura | -40 °C to / a +80 °C |
| Weight / Peso | 1750 gr |

| Port / Conexión | Function / Función | Thread / Rosca |
|-----------------|--|------------------------|
| 1 | Supply / Alimentación | M22x1,5 VOSS |
| 21 | Delivery / Salida | M22x1,5 VOSS |
| 22 | Delivery / Salida | M22x1,5 VOSS |
| 23 | Delivery / Salida | M22x1,5 VOSS |
| 24 | Delivery / Salida | M22x1,5 VOSS |
| 25 | Delivery / Salida | M22x1,5 VOSS |
| 26 | Delivery / Salida | M22x1,5 VOSS |
| 27 | Delivery / Salida | M12x1,5 |
| 28 | Delivery / Salida | M12x1,5 |
| 6 | Electric connection / Conexión eléctrica | Bayonet DIN 72585 A1-6 |

| Circuit / Circuito | 1 | 2 | 3 | 4 |
|---|----------------------------------|----|----------------------------------|----------|
| Port / Conexión | 21 | 22 | 23 25 27 | 24 26 28 |
| Opening pressure / Presión de apertura (bar) | 9,0 ⁰ _{-0,3} | | 7,5 ⁰ _{-0,3} | |
| Closing pressure dynamic / Presión de cierre dinámica (bar) | ≥ 7,0 | | ≥ 4,5 | |
| Pressure limiting / Presión de limitación (bar) | 10 ± 0,2 | | 8,6 ⁰ _{-0,4} | |

| Circuit / Circuito | 1 | | | 2 | | |
|--------------------|-----------------|-------|-----|-----------------|-------|-----|
| Contact / Contacto | 6.2 | 6.3 | 6.4 | 6.5 | 6.6 | 6.7 |
| Function / Función | Output / Salida | +24 V | GND | Output / Salida | +24 V | GND |



Purpose / Propósito:

To distribute clean and dry air from the air dryer to different pneumatic circuits. Ensure pressure in brake circuits in case of leaks or breakage in any circuit. It includes a sensor to measure the supply pressures of service brake circuits. / Distribuir el aire limpio y seco proveniente del secador a los diferentes circuitos neumáticos. Asegurar la presión en los circuitos de freno en caso de fuga o rotura en cualquier circuito. Incorpora un sensor para medir las presiones de alimentación de los circuitos de freno de servicio.

Installation requirements / Requisitos para la instalación:

Mounting is accomplished by using two mounting bolts M8. / El montaje se realiza mediante dos pernos M8.

| | | | | | |
|--------------|---|------|----------|------------------------|---------------|
| Modification | 4 | | | Drawn | |
| | 3 | | | 12/08/15 A.U. | |
| | 2 | | | Checked | |
| | 1 | J.S. | 09/06/21 | Change of sheet format | |
| Comments | | | | General Tolerance | Assembly |
| | | | | - | Part name |
| | | | | Material | ID. Reference |
| | | | | - | 2222304 |
| | | | | Scale: - | |
| | | | | Review: 1 | |

1 2 3 4 5 6 7 8

A

B

C

D

E

F

A

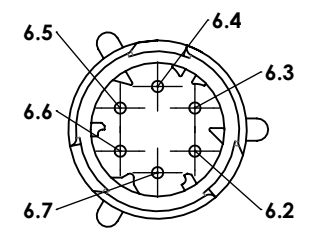
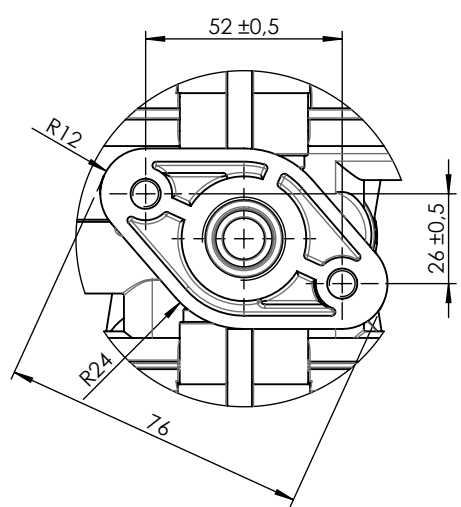
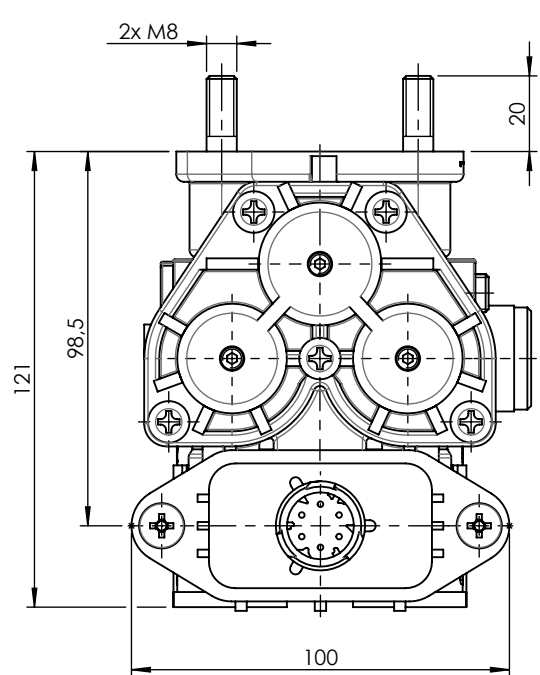
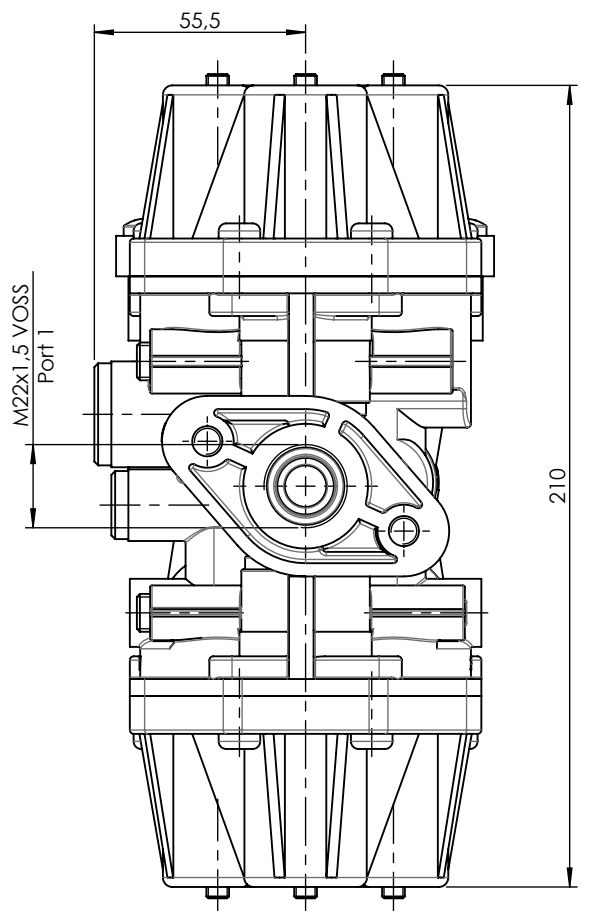
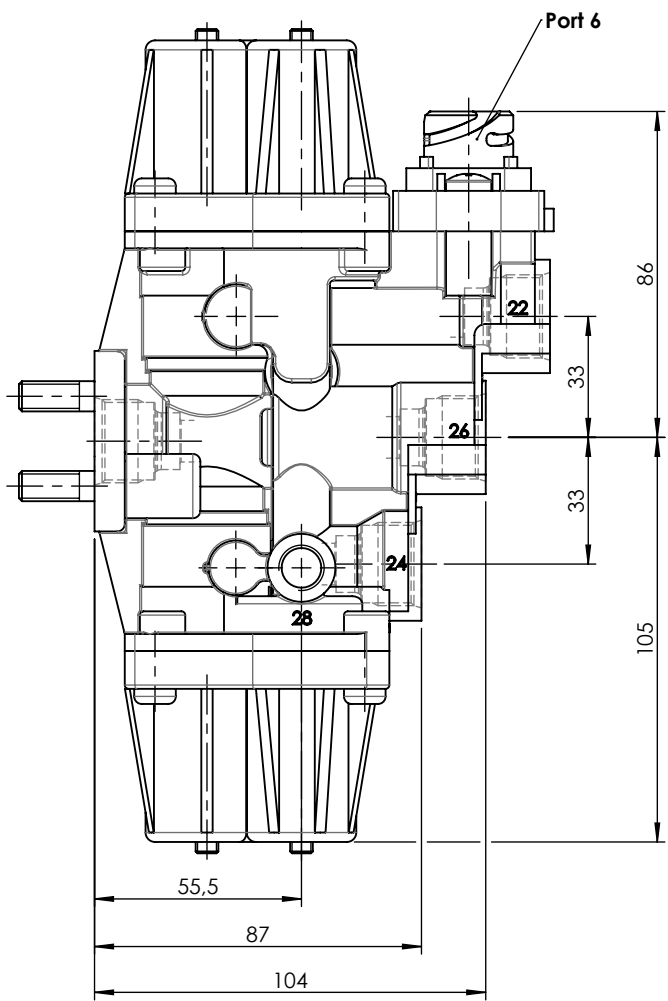
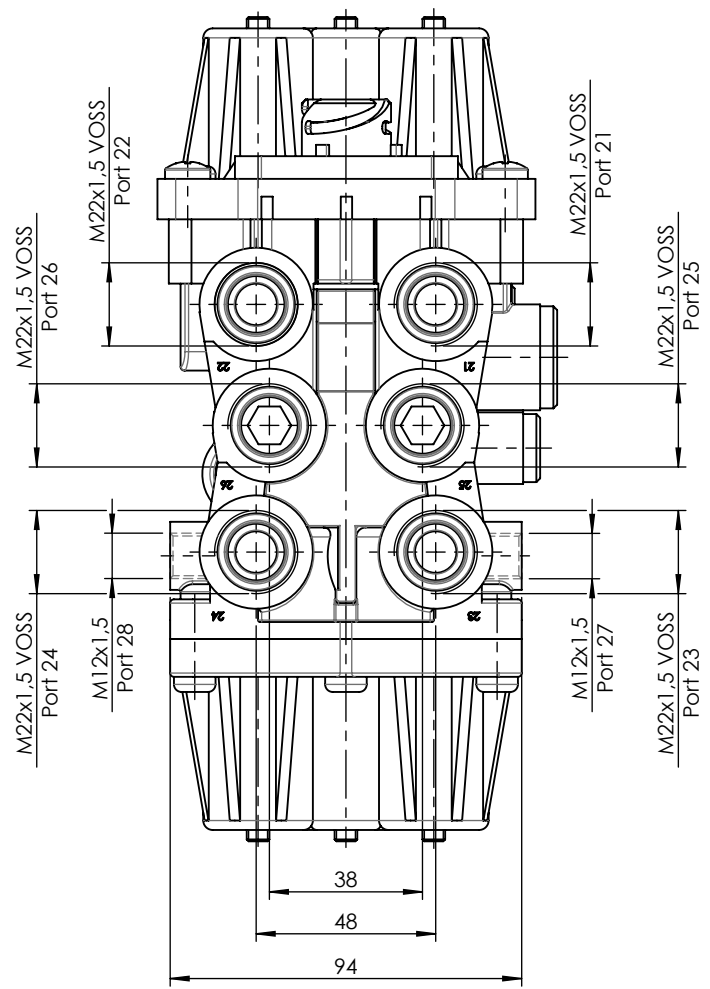
B

C

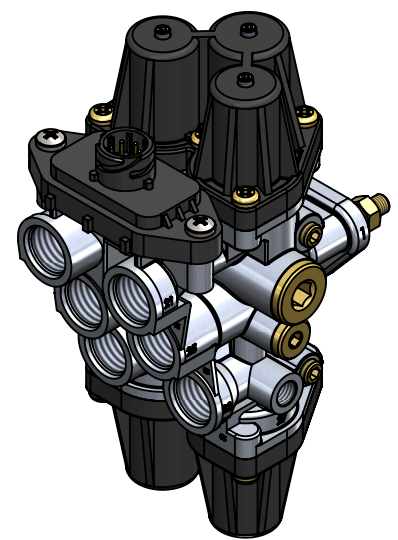
D



E

F



SCALE / ESCALA 1 : 1



| | | | | | | |
|--------------|-------------|------|----------|------------------------|---|---|
| Modification | 4 | | | Drawn |  | |
| | 3 | | | 12/08/15 A.U. | | |
| | 2 | | | Checked | | |
| | 1 | J.S. | 09/06/21 | Change of sheet format | | 12/08/15 A.L. |
| | nº Modified | Date | Reason | General Tolerance | Assembly | |
| Comments | | | | ISO 2768 c-K | Part name | - |
| | | | | Material | ID. Reference | 2222304 |
| | | | | - | Scale: 1/2 |  |
| | | | | - | Review: 1 | |

1 2 3 4 5 6 7 8