

1

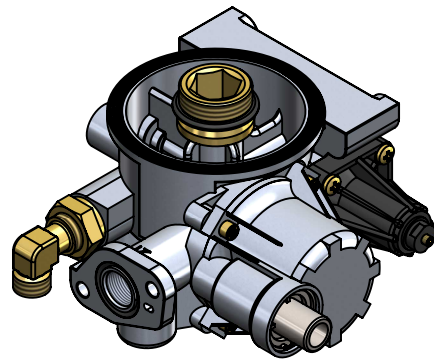
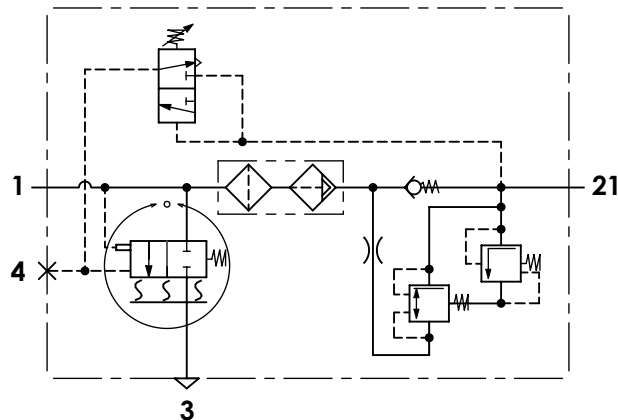
2

3

4

Technical sheet / Datos técnicos:

| | |
|---|------------------------|
| Part number adaptable to / Referencia adaptable a | 43241 50520 |
| Opening pressure of safety valve / Presión de apertura válvula de seguridad | 16 bar |
| Unloader / Regulador de presión | Integrated / Integrado |
| Cut-out pressure / Presión de corte | 9,3 ± 0,5 bar |
| Heating / Calentador | 100 W/ 24 V |
| Cut-in temperature / Temperatura de cierre | +7 ± 6 °C |
| Cut-off temperature / Ajuste de la temperatura | +29,5 ± 3 °C |
| Permissible medium / Medio de funcionamiento | Air / Aire |
| Operating temperature range / Rango de temperatura | -40 °C to / a +65 °C |
| Weight / Peso | 4750 gr |



| Port / Conexión | Function / Función | Thread / Rosca |
|-----------------|--|---|
| 1 | Supply from air compressor / Alimentación desde el compresor de aire | M22x1,5 + Adaptor/Adaptador 90° M22x1,5 |
| 21 | Delivery to air reservoirs / Salida a calderines de aire | M22x1,5 |
| 4 | Control to air compressor / Pilotaje al compresor de aire | Closed / Taponada |
| 3 | Exhaust / Escape | - |
| 6 | Heating / Calentador | Bayonet DIN 72585 A1-2 |

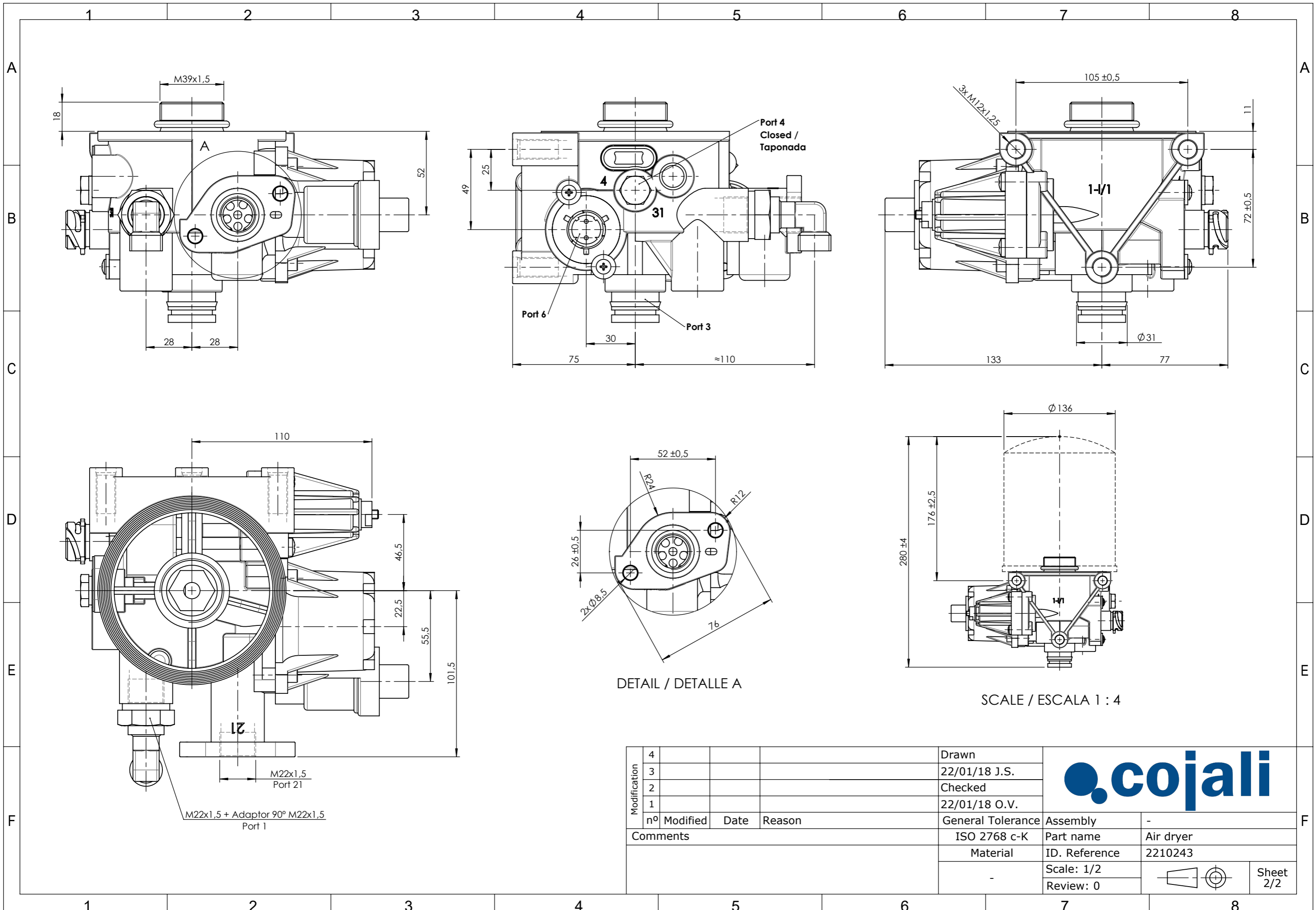
Purpose / Propósito:

Drying of the compressed air supplied by the compressor. / Secado del aire comprimido procedente del compresor.

Installation requirements / Requisitos para la instalación:


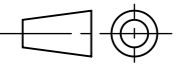
Exhaust (3) must look down. / El escape (3) debe estar orientado hacia abajo.

| | | | | | | | |
|--------------|----|----------|------|--------|-------------------|---------------|-----------|
| Modification | 4 | | | | Drawn | | |
| | 3 | | | | 22/01/18 J.S. | | |
| | 2 | | | | Checked | | |
| | 1 | | | | 22/01/18 O.V. | | |
| | nº | Modified | Date | Reason | General Tolerance | | Assembly |
| Comments | | | | | - | Part name | Air dryer |
| | | | | | Material | ID. Reference | 2210243 |
| | | | | | - | Scale: - | |
| | | | | | - | Review: 0 | |



DETAIL / DETALLE A

SCALE / ESCALA 1 : 4

| | | | | | | |
|--------------|----|----------|------|---------------|---|---|
| Modification | 4 | | | Drawn |  | |
| | 3 | | | 22/01/18 J.S. | | |
| | 2 | | | Checked | | |
| | 1 | | | 22/01/18 O.V. | | |
| | nº | Modified | Date | Reason | General Tolerance | |
| Comments | | | | ISO 2768 c-K | Assembly | - |
| | | | | Material | Part name | Air dryer |
| | | | | | ID. Reference | 2210243 |
| | | | | | Scale: 1/2 |  |
| | | | | | Review: 0 | |