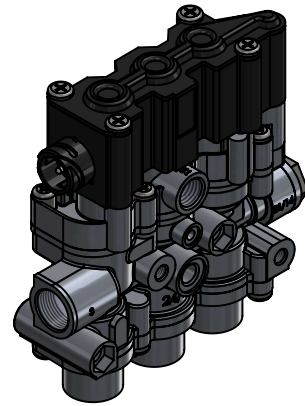
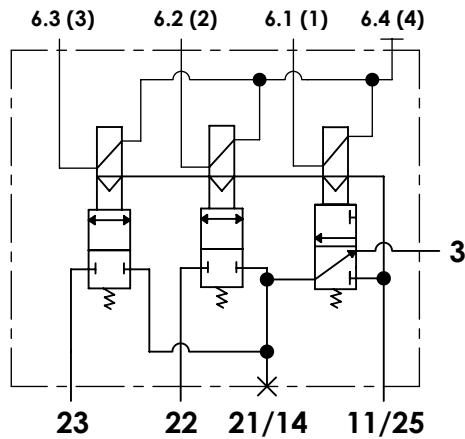


**Technical sheet / Datos técnicos:**

|  |                    |
|--|--------------------|
| Part number adaptable to / Referencia adaptable a  | 4729000620         |
| Operating pressure / Presión de trabajo            | max. 13 bar        |
| Voltage / Voltaje                                  | 24 V               |
| Permissible medium / Medio de funcionamiento       | Air / Aire         |
| Operating temperature range / Rango de temperatura | -40°C to / a +80°C |
| Weight / Peso                                      | 2350 gr            |



| Port / Conexión | Function / Función                       | Thread / Rosca         |
|-----------------|--|------------------------|
| 11/25           | Supply / Alimentación                    | M22x1,5 VOSS           |
| 21/14           | Delivery / Salida                        | Closed / Taponada      |
| 22              | Delivery / Salida                        | M22x1,5 VOSS           |
| 23              | Delivery / Salida                        | M22x1,5 VOSS           |
| 3               | Exhaust / Escape                         | M22x1,5                |
| 6               | Electric connection / Conexión eléctrica | Bayonet DIN 72585 A1-4 |

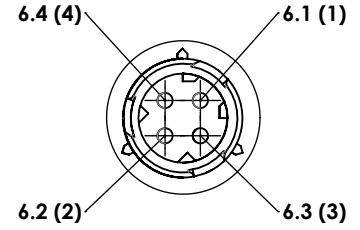
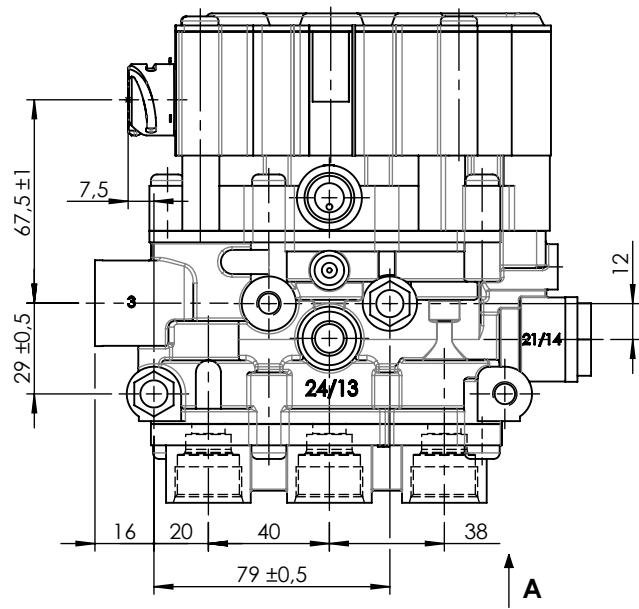
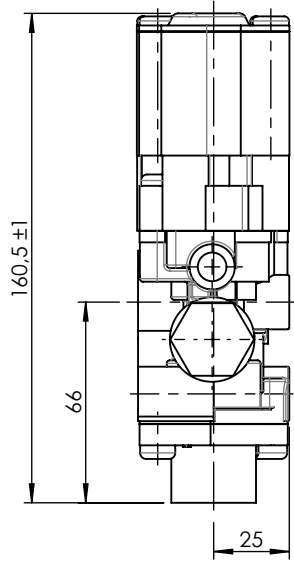
**Purpose / Propósito:**

Pressure regulation of the suspension bellows through the activation of solenoids valves according to suspension ECU electric signal. / Regulación de la presión en los colchones de suspensión mediante la activación de solenoides a través de las señales eléctricas de la ECU de suspensión.

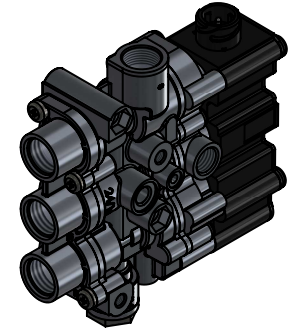
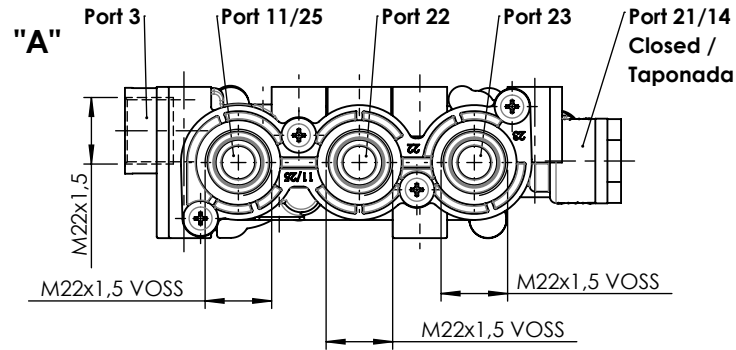
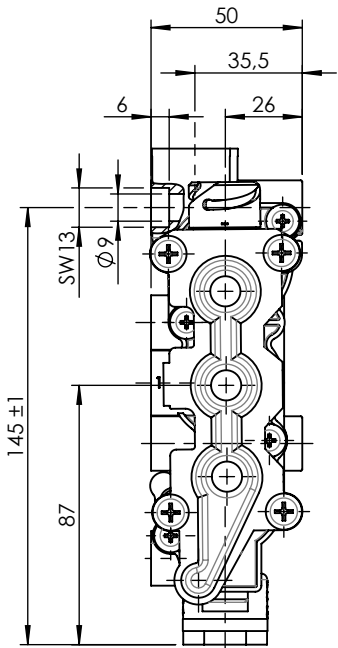
**Installation requirements / Requisitos para la instalación:**

The valve must be installed so that the exhaust port is horizontal position. Mounting is accomplished with two M8 mounting bolts. / La válvula se debe instalar de forma que el escape esté en posición horizontal. El montaje se realiza mediante dos pernos de montaje M8.

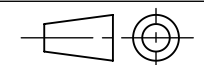
|              |    |          |      |        |                   |               |                     |           |
|--------------|----|----------|------|--------|-------------------|---------------|---------------------|-----------|
| Modification | 4  |          |      |        | Drawn             |               |                     |           |
|              | 3  |          |      |        | 27/08/18 A.I.     |               |                     |           |
|              | 2  |          |      |        | Checked           |               |                     |           |
|              | 1  |          |      |        | 27/08/18 O.V.     |               |                     |           |
|              | nº | Modified | Date | Reason | General Tolerance |               | Assembly            | -         |
| Comments     |    |          |      |        | -                 | Part name     | Solenoid valve ECAS |           |
|              |    |          |      |        | Material          | ID. Reference | 2209407             |           |
|              |    |          |      |        | -                 | Scale: -      |                     | Sheet 1/2 |
|              |    |          |      |        | -                 | Review: 0     |                     |           |



SCALE / ESCALA 2 : 3



|              |          |      |        |                   |               |               |
|--------------|----------|------|--------|-------------------|---------------|---------------|
| Modification | 4        |      |        |                   | Drawn         |               |
|              | 3        |      |        |                   | 27/08/18 A.I. |               |
|              | 2        |      |        |                   | Checked       |               |
|              | 1        |      |        |                   | 27/08/18 A.U. |               |
| nº           | Modified | Date | Reason | General Tolerance | Assembly      |               |
| Comments     |          |      |        |                   | ISO 2768 c-K  | Part name     |
|              |          |      |        |                   | Material      | ID. Reference |
|              |          |      |        |                   |               | Scale: 2/5    |
|              |          |      |        |                   |               | Review: 0     |



Sheet 2/2