

1

2

3

4

A

**Technical Data/ Datos Técnicos:**

A

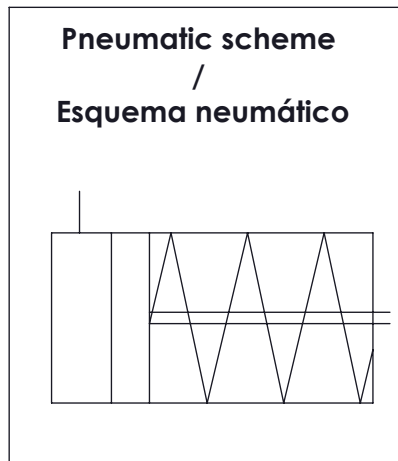
Part number adaptable to/ Referencia adaptable a:	4214100250
Hydraulic fluid/ Fluido hidráulico:	Air/Aire
Thermal range/ Rango de temperatura:	-40 °C to/ a 80 °C
Supply pressure/ Presión de alimentación:	max. 8 bar
Stroke/ Carrera:	25 mm
Weight/ Peso:	211 gr

B

B

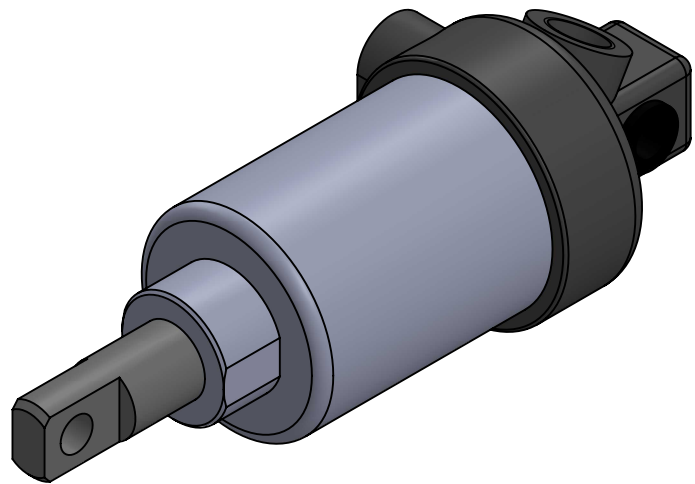
C

C




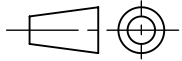
D

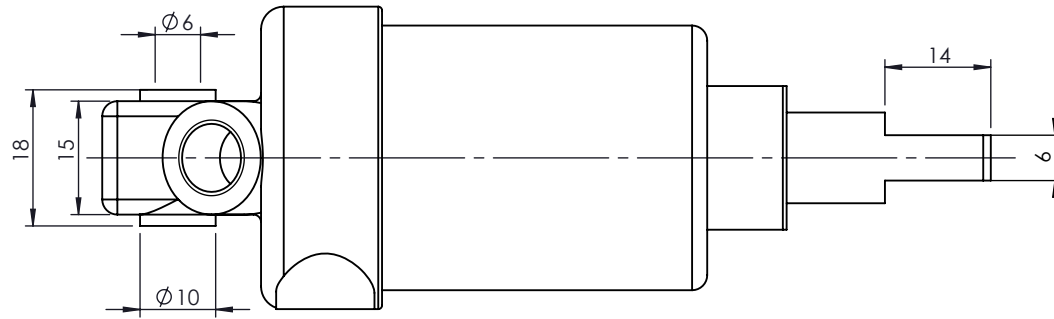
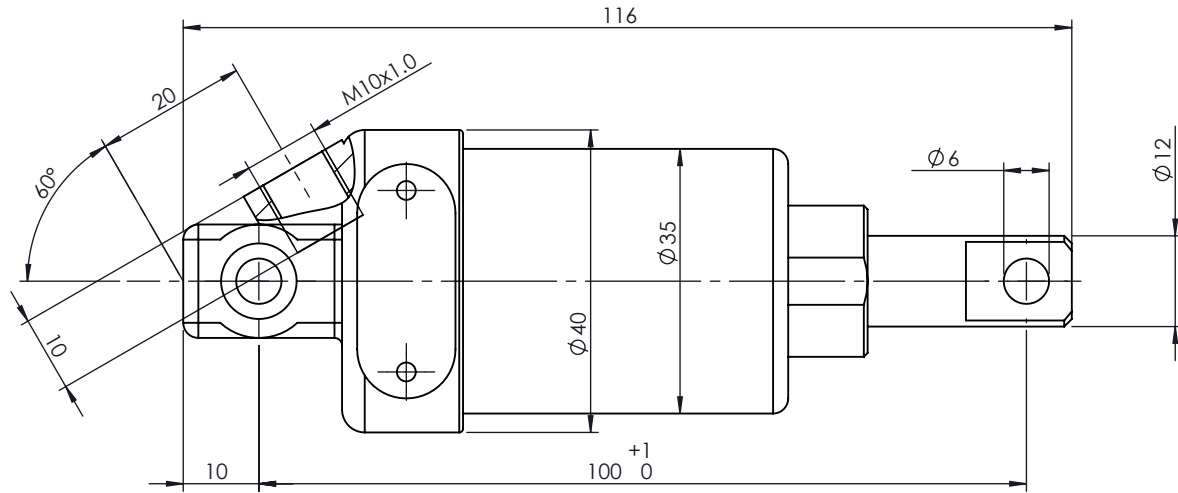
D



E

E

F	Modification nº	4				Drawn		F
		3				02/09/20 S.F.		
		2				Checked		
		1				02/09/20 O.V.		
			Modified	Date	Reason	General Tolerance		
Comments					-	Part name	Operating cylinder/Cilindro operacional	
					Material	ID. Reference	2201100	
					-	Scale: -		Sheet 1/2
					-	Review: 0		



Modification	4				Drawn	
	3				02/09/20 S.F.	
	2				Checked	
	1				02/09/20 O.V.	
	nº	Modified	Date	Reason	General Tolerance	
Comments					-	Assembly
					-	Part name
					-	ID. Reference
					-	Scale: -
					-	Review: 0

**cojali**

-

Operating cylinder/Cilindro operacional

2201100

Sheet 2/2