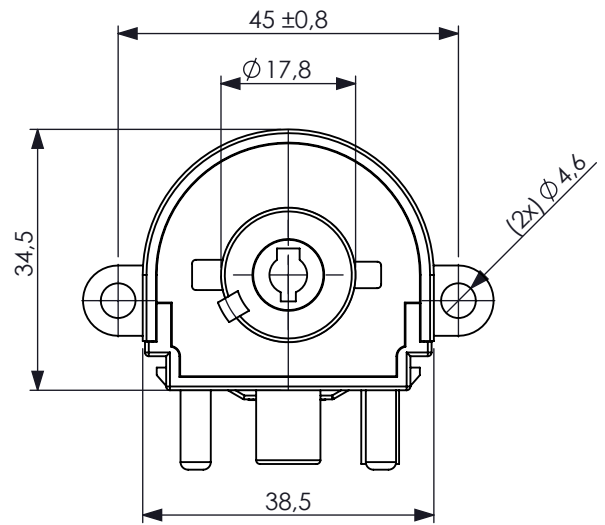
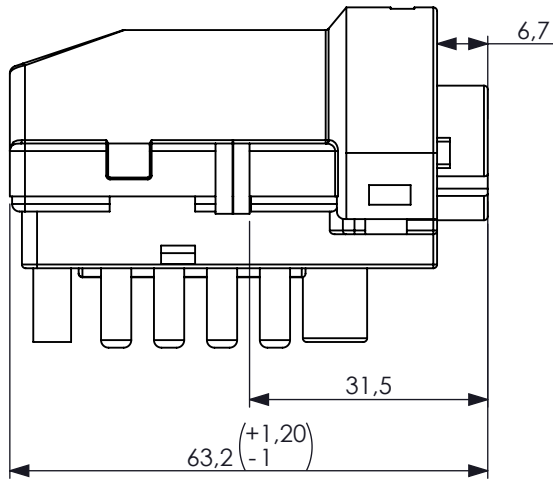
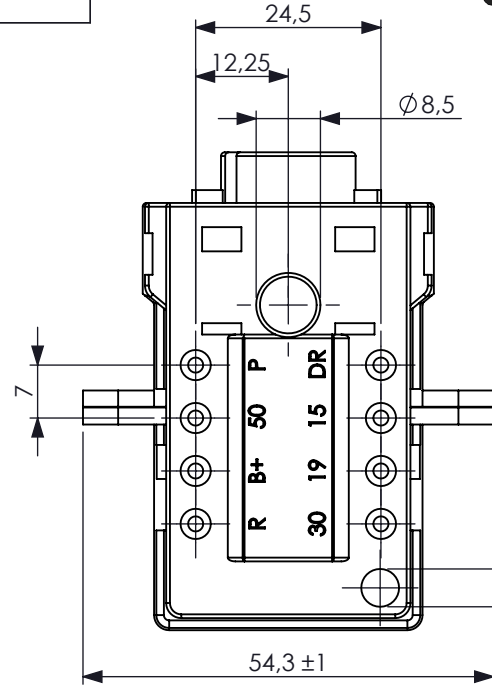
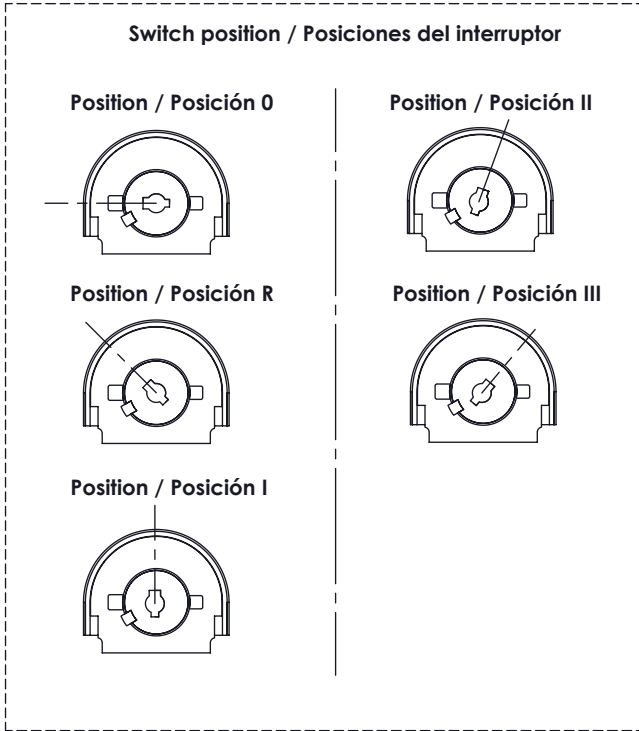
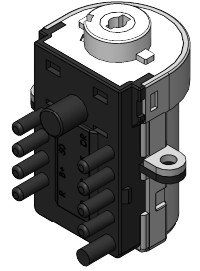


Technical Data/ Datos Técnicos

Part number adaptable to / Referencia adaptable a:	8159904
Voltage / Voltaje:	24 V
Thermal range of application / Rango de temperatura:	-40 °C to/ a +100 °C
Weight/ Peso:	90.5 gr



Modification	4				Drawn			
	3				10/11/14 A.U.			
	2				Checked			
	1				10/11/14 O.V.			
	nº	Modified	Date	Reason	General Tolerance		Assembly	
Comments					ISO 2768 c-K	Part name	Combination Switch/Interruptor de columna	
					Material	ID. Reference	2260233	
					-	Scale: 1/1		Sheet 1/1
					-	Review: 0		