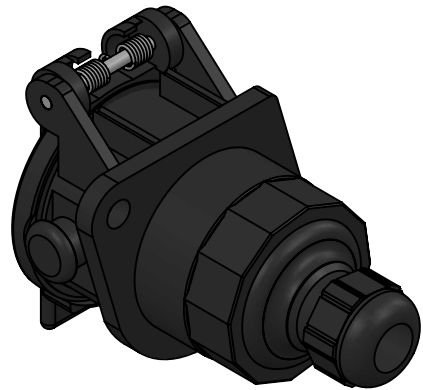
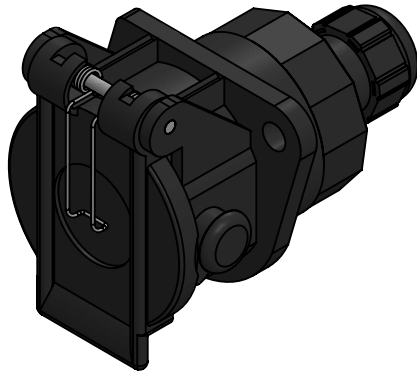
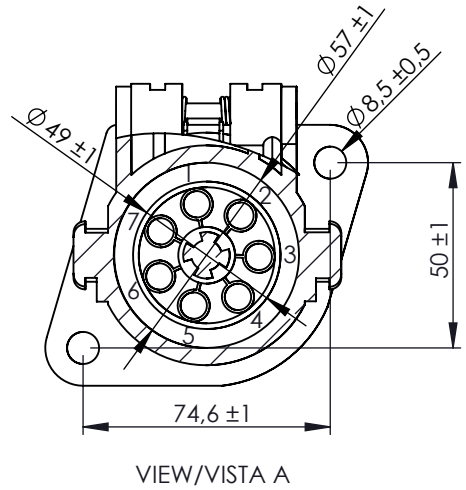
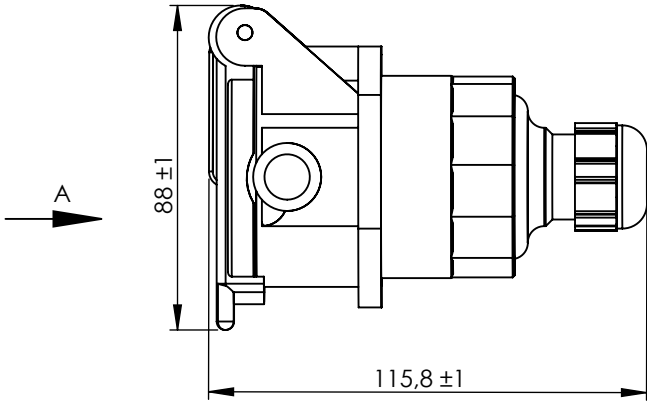

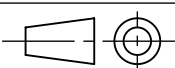


Technical data/ Datos técnicos:

According to/ En referencia a:	4490084042
Operating temperature range/ Rango de temperatura:	-40°C a/to 80°C
Weight/ Peso:	227,7 gr



F	Modification	4				Drawn	
		3				25/08/20 S.F.	
		2				Checked	
		1				25/08/20 E.L.	
		nº	Modified	Date	Reason	General Tolerance	
Comments					ISO 2768 c-K	Part name	Serpentine connector/Conector de serpentina
					Material	ID. Reference	2260114
					-	Scale: 1/2	
					-	Review: 0	