

1

2

3

4

A

**Technical data/ Datos técnicos:**

|   |                 |
|---|-----------------|
| According to/ En referencia a:                    | 8143371         |
| Operating temperature range/Rango de temperatura: | -40°C a/to 80°C |
| Weight/Peso:                                      | 135 gr          |

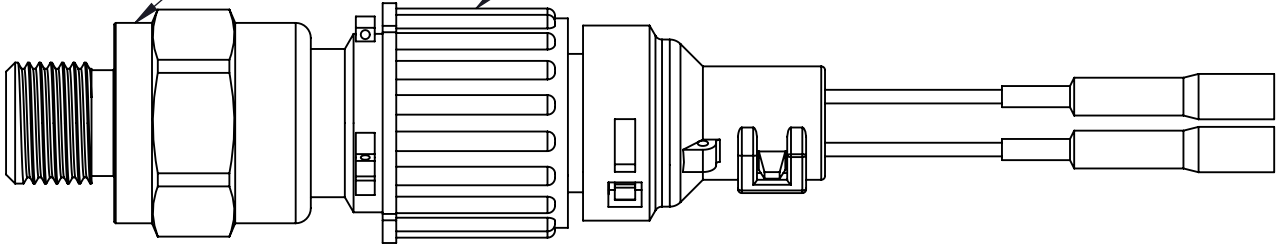
A

B

**1.- Pressure Switch/ Conmutador de Presión****2.- Sensor connection/ Conexión de sensor**

B

C



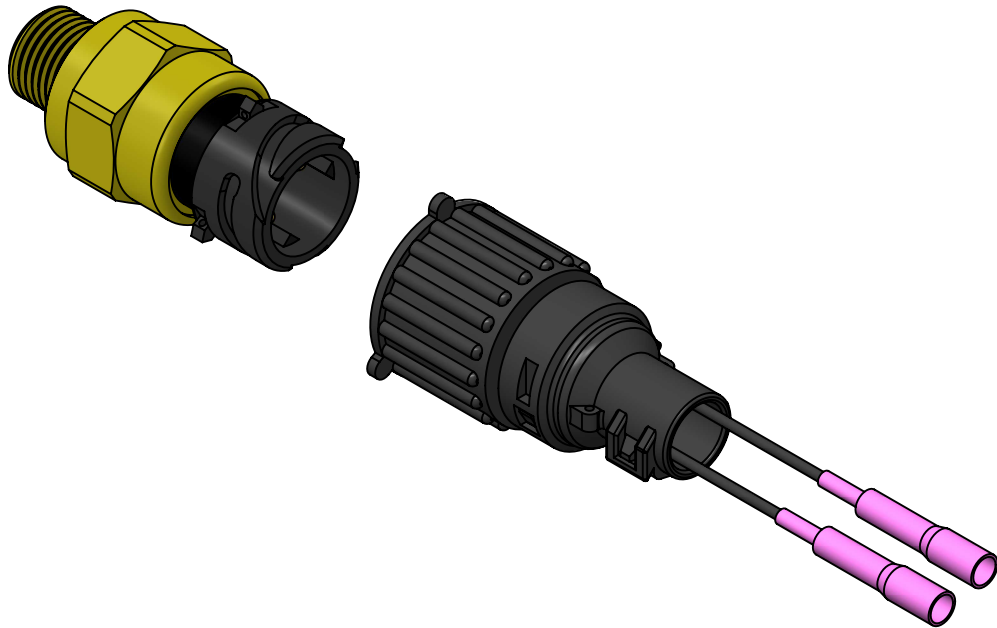
C

D

D

E

E



E

F

F

Modification

4  
3  
2  
1

Drawn

08/07/20 S.F.

Checked

08/07/20 E.L.

nº

Modified

Date

Reason

General Tolerance

Assembly

-

Comments

ISO 2768 c-K

Part name

Pressure switch/Sensor de presión

Material

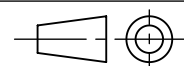
ID. Reference

2260083

-

Scale: 1/1

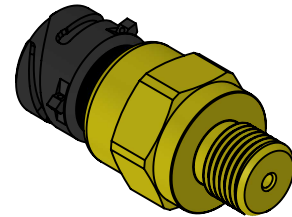
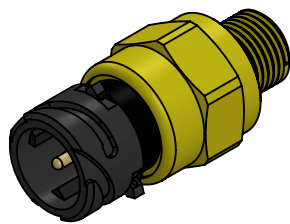
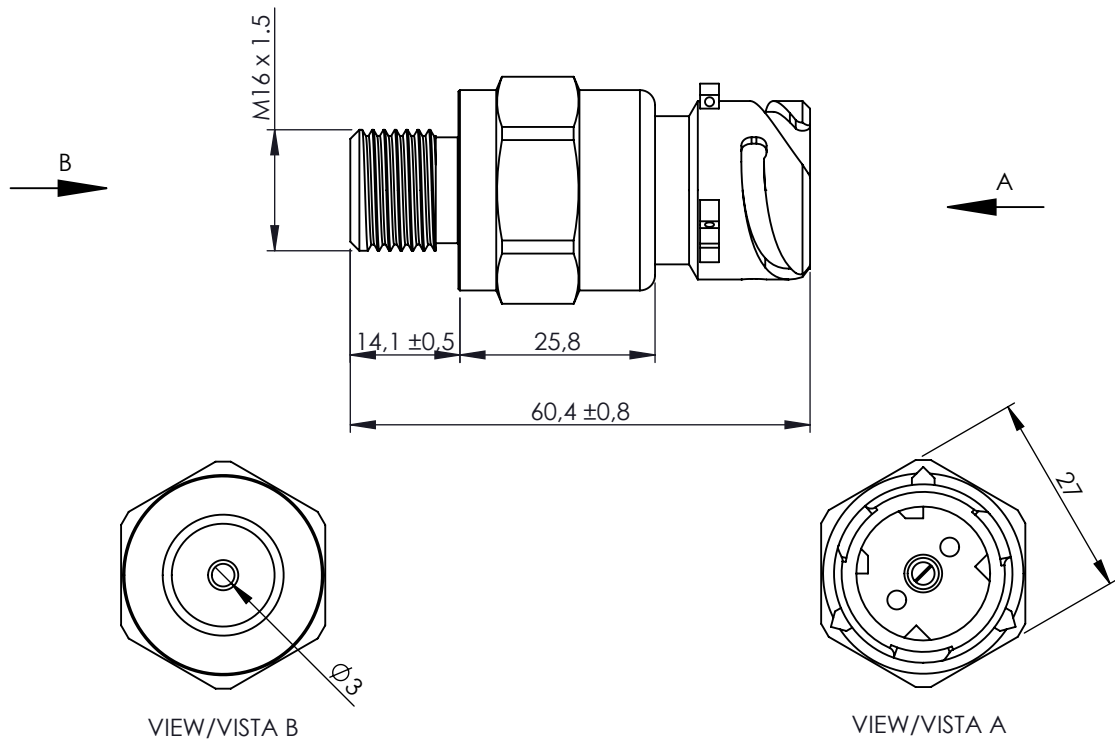
Review: 0

Sheet  
1/3

# 1.- Pressure Switch/ Conmutador de Presión

## Technical data/ Datos técnicos:

|   |                            |
|---|----------------------------|
| According to/ En referencia a:                    | 20382513                   |
| Measuring range/ Campo de medida:                 | 0 - 7 bar                  |
| Operating temperature range/Rango de temperatura: | -40°C a/to 80°C            |
| Switching pressure/ Presión de conmutación:       | 6,4 -0,7 bar (5,7-6,4 bar) |
| Weight/ Peso:                                     | 105 gr                     |



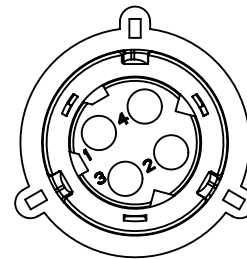
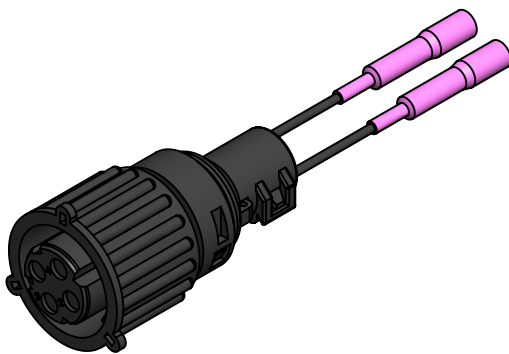
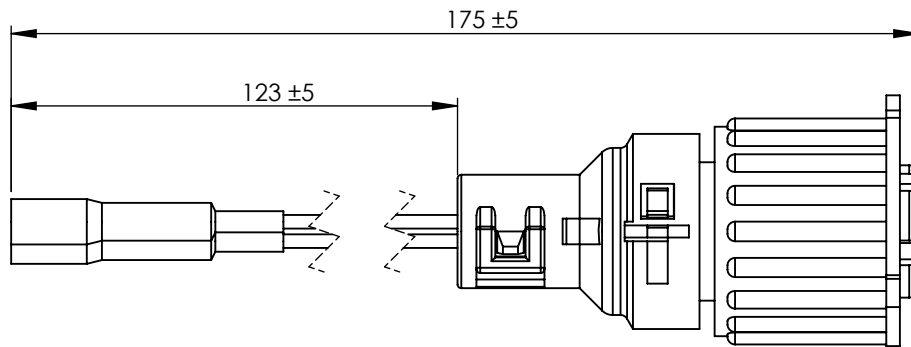
|              |    |          |      |        |                   |               |                                   |           |
|--------------|----|----------|------|--------|-------------------|---------------|-----------------------------------|-----------|
| Modification | 4  |          |      |        | Drawn             |               |                                   |           |
|              | 3  |          |      |        | 08/07/20 S.F.     |               |                                   |           |
|              | 2  |          |      |        | Checked           |               |                                   |           |
|              | 1  |          |      |        | 08/07/20 E.L.     |               |                                   |           |
|              | nº | Modified | Date | Reason | General Tolerance | Assembly      |                                   |           |
| Comments     |    |          |      |        | ISO 2768 c-K      | Part name     | Pressure switch/Sensor de presión |           |
|              |    |          |      |        | Material          | ID. Reference | 2260083                           |           |
|              |    |          |      |        | -                 | Scale: 1/1    |                                   | Sheet 2/3 |
|              |    |          |      |        | -                 | Review: 0     |                                   |           |

**cojali**

## 2.- Sensor conection/ Conexión de sensor

### Technical data/ Datos técnicos:

|   |                 |
|---|-----------------|
| According to/ En referencia a:                    | 1741865         |
| Operating temperature range/Rango de temperatura: | -40°C a/to 80°C |
| Weight/ Peso:                                     | 30 gr           |



VIEW/VISTA C

|          |              |    |          |      |              |                   |                                   |           |
|----------|--------------|----|----------|------|--------------|-------------------|-----------------------------------|-----------|
| F        | Modification | 4  |          |      |              | Drawn             |                                   |           |
|          |              | 3  |          |      |              | 08/07/20 S.F.     |                                   |           |
|          |              | 2  |          |      |              | Checked           |                                   |           |
|          |              | 1  |          |      |              | 08/07/20 E.L.     |                                   |           |
|          |              | nº | Modified | Date | Reason       | General Tolerance |                                   | Assembly  |
| Comments |              |    |          |      | ISO 2768 c-K | Part name         | Pressure switch/Sensor de presión |           |
|          |              |    |          |      | Material     | ID. Reference     | 2260083                           |           |
|          |              |    |          |      | -            | Scale: 1/1        |                                   | Sheet 3/3 |
|          |              |    |          |      | -            | Review: 0         |                                   |           |