

Technical Data / Datos Técnicos:

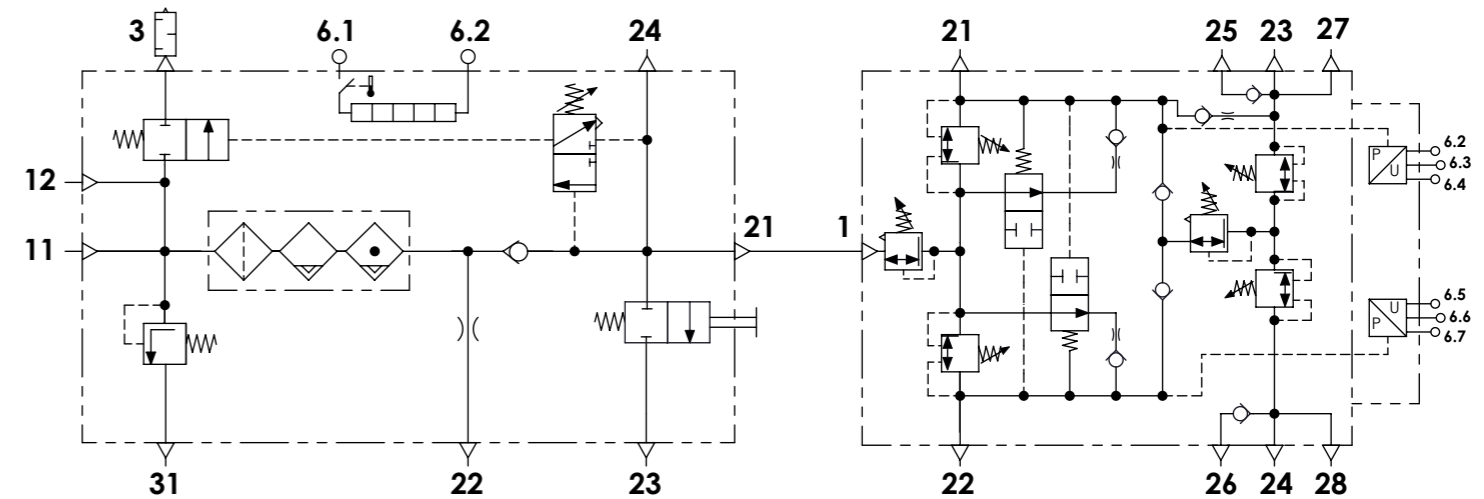
| | |
|--|------------------------|
| Part number adaptable to / Referencia adaptable a | 9325000070 |
| Operating pressure / Presión de trabajo | max. 13 bar |
| Safety valve pressure / Presión válvula de seguridad | 14.5 bar |
| Unloader / Regulador de presión | Integrated / Integrado |
| Unloader cut-out pressure / Presión de corte del regulador | 12.0 ± 0.3 bar |
| Heating / Calentador | 100 W / 24V |
| Cut-in temperature / Temperatura de cierre | +7° ± 6°C |
| Cut-off temperature / Ajuste de la temperatura | +29.5° ± 3°C |
| Pressure sensor / Sensor de presión | 5 V |
| Permissible medium / Medio de funcionamiento | Air / Aire |
| Operating temperature range / Rango de temperatura | -40° to / a +65°C |
| Weight / Peso | 3300 gr |

Air dryer / Secador de aire (Ref: 2210501)

| Port / Conexión | Function / Función | Thread / Rosca |
|-----------------|---|----------------------------------|
| 11 | From the air compressor / Proveniente del compresor | M22x1.5 |
| 12 | External filling / Llenado exterior | M12x1.5 |
| 21 | To protection valve / A la válvula de protección | M22x1.5 |
| 22 | To reservoir for regeneration air / Al calderín de regeneración | M16x1.5 |
| 23 | The inflation device / Dispositivo de inflado de neumáticos | M16x1.5 |
| 24 | To reservoir for air suspension / Al calderín de suspensión | M22x1.5 |
| 3 | Exhaust for compressor idling / Escape del compresor en ralentí | - |
| 31 | Exhaust of the safety valve / Salida de la válvula de seguridad | M22x1.5 |
| 4/25 | Control port / Puerto de control | Closed / Taponada |
| 6 | Heating / Calentador | Bayonet DIN 72585 A1-2.1-1-Sn/K2 |

Protection circuit valve / Válvula de protección de circuito (Ref: 2222303)

| Port / Conexión | Function / Función | Thread / Rosca | Circuit / Circuito |
|-----------------|---|------------------------|--------------------|
| 1 | From air dryer / Procedente del secador | M22x1.5 VOSS | - |
| 21 | Service brake / Freno de servicio | M22x1.5 VOSS | 1 |
| 22 | Service brake / Freno de servicio | M22x1.5 VOSS | 2 |
| 23 | Trailer brake / Sistema de freno de trailer | M22x1.5 VOSS | 3 |
| 25 | Parking brake / Freno de parking | M22x1.5 VOSS | |
| 27 | Pressure switch / Interruptor de presión | M12x1.5 | 4 |
| 24 | Accessory loads / Cargas accesorias | M22x1.5 VOSS | |
| 26 | Clutch / Embrague | M22x1.5 VOSS | |
| 28 | Pressure switch / Interruptor de presión | M12x1.5 | |
| 6 | Pressure sensor / Sensor de presión | Bayonet DIN 72585 A1-6 | 1/2 |

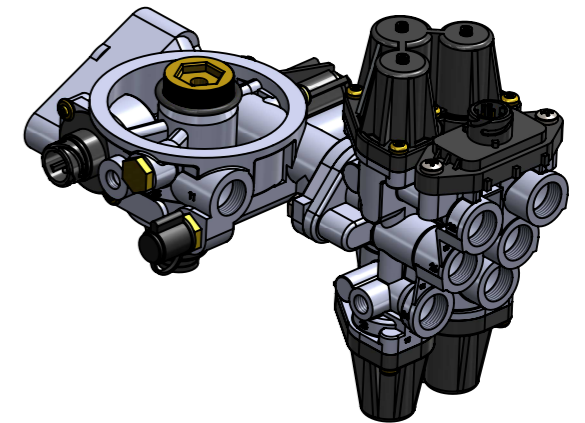


Protection circuit valve / Válvula de protección de circuito

| | Port / Conexión | | | | | | | |
|---|-----------------|----|----|------------|----|----|----|----|
| | 21 | 22 | 23 | 25 | 24 | 26 | 27 | 28 |
| Opening pressure / Presión de apertura (bar) | 9.0 (-0.3) | | | 7.5 (-0.3) | | | | |
| Dynamic closing pressure / Presión dinámica de cierre (bar) | ≥7.0 | | | ≥4.5 | | | | |
| Pressure limiting / Presión límite (bar) | 10.0 (±0.2) | | | 8.5 (-0.4) | | | | |

Pressure sensor / Sensor de presión

| Port / Conexión | 21 | | | 22 | | |
|--------------------|-----------------|------|-----|-----------------|------|-----|
| Contact / Contacto | 6.2 | 6.3 | 6.4 | 6.5 | 6.6 | 6.7 |
| Function / Función | Output / Salida | +5 V | 0 V | Output / Salida | +5 V | 0 V |



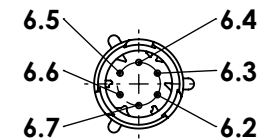
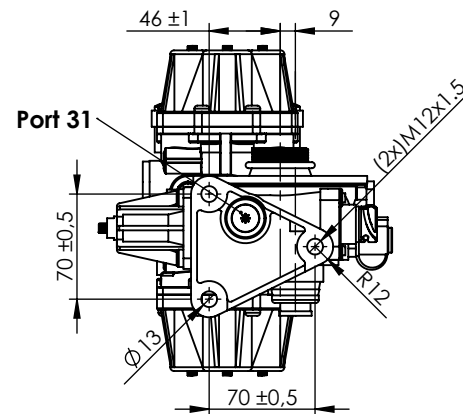
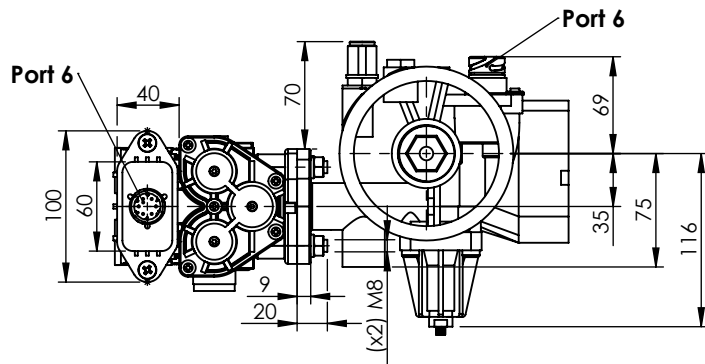
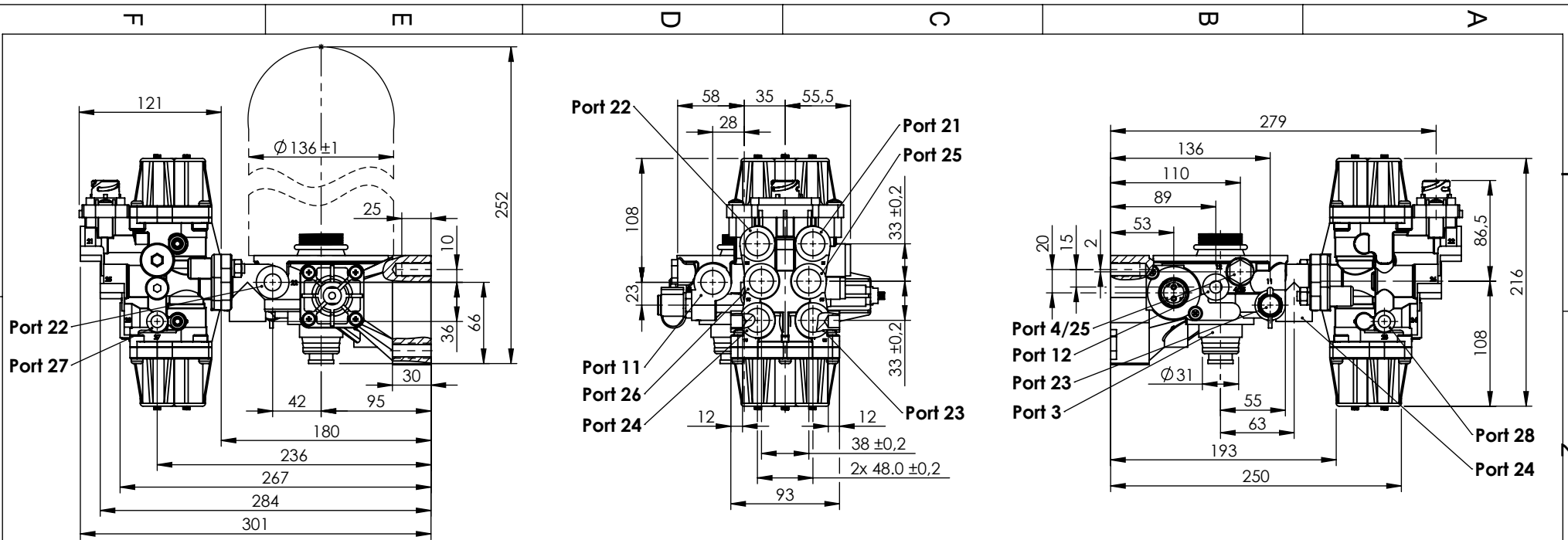
Purpose / Propósito:

Drying of the compressed air supplied by extracting the moisture present in the air. Also retention and staged limitation of pressure in multi-circuit braking systems. / El secador del aire comprimido suministrado por el compresor mediante la extracción de la humedad presente en el aire. También la retención y distribución limitada de presión de aire en sistemas de freno multicircuito.

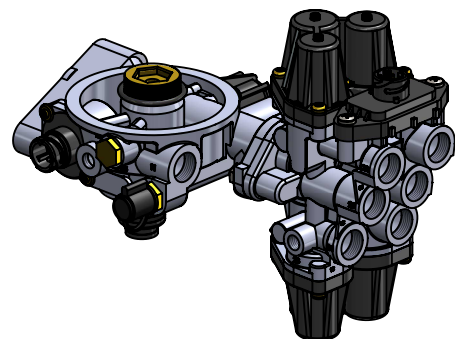
Installation recommendation / Recomendación de instalación:

The air dryer must be fitted in a vertical position, i.e. the filtering jug must be on the top. The air processing unit must be flange-mounted with 2 screws M12. / El secador de aire debe fijarse en una posición vertical, es decir, el filtro debe estar en la parte superior. La unidad de procesamiento de aire debe ser montada con 2 tornillos M12.

| | | | | | | |
|--------------|----|----------|------|--------|-------------------|---------------|
| Modification | 4 | | | | Drawn | |
| | 3 | | | | 02/07/14 A.U. | |
| | 2 | | | | Checked | |
| | 1 | | | | 02/07/14 A.L. | |
| Comments | nº | Modified | Date | Reason | General Tolerance | Assembly |
| | | | | | - | Part name |
| | | | | | - | ID. Reference |
| | | | | | - | 2210604 |
| | | | | | Scale: - | |
| | | | | | Review: 0 | |
| | | | | | | Sheet 1/2 |



SCALE / ESCALA 1 : 2



| Modification | nº | Modified | Date | Reason | General Tolerance | Assembly |
|--------------|----|----------|------|--------|-------------------|---------------------|
| 4 | | | | | ISO 2768 c-K | Drawn |
| 3 | | | | | | 02/07/14 A.U. |
| 2 | | | | | | Checked |
| 1 | | | | | | 02/07/14 A.L. |
| Comments | | | | | Part name | Air processing unit |
| | | | | | Material | ID. Reference |
| | | | | | Scale: 1/5 | 2210604 |
| | | | | | Review: 0 | |



Sheet
2/2