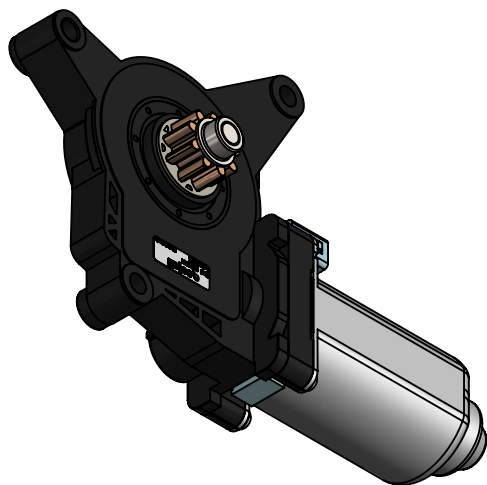
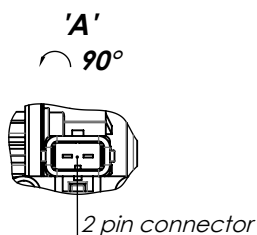
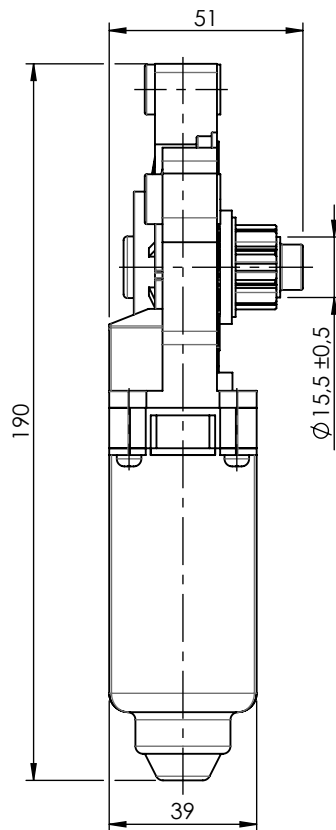
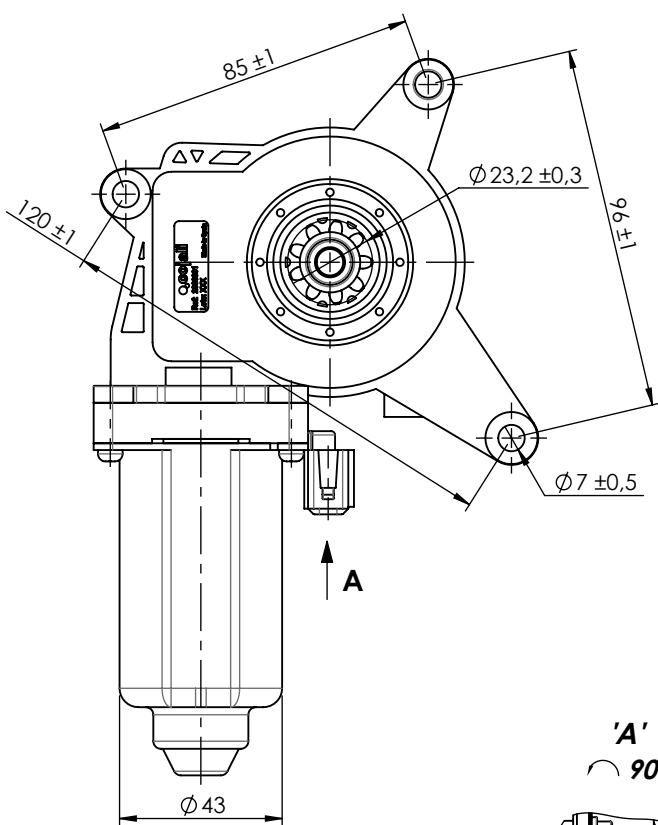
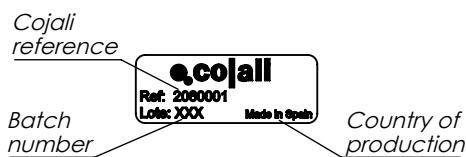


Technical sheet/ Datos técnicos:

Voltage / Voltaje	24 V
No-load current consumption / Consumo de corriente en vacío	máx. 2,5 A
Weight / Peso	650 g



**Identification label /
Etiqueta de identificación:**



Scale 1 : 1

Modification	4				Drawn		
	3				16/02/24 J.S.		
	2				Checked		
	1				16/02/24 O.V.		
F	nº	Modified	Date	Reason	General Tolerance	Assembly	
	Comments				ISO 2768 v-K	Part name	Window motor
					Material	ID. Reference	2060001
					-	Scale: 1/2	
					Review: 0	Sheet 1/1	