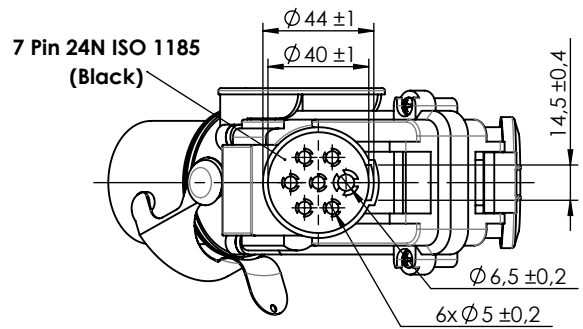
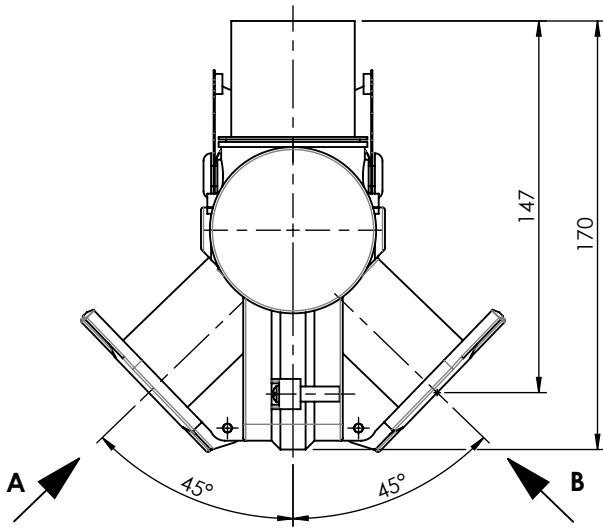
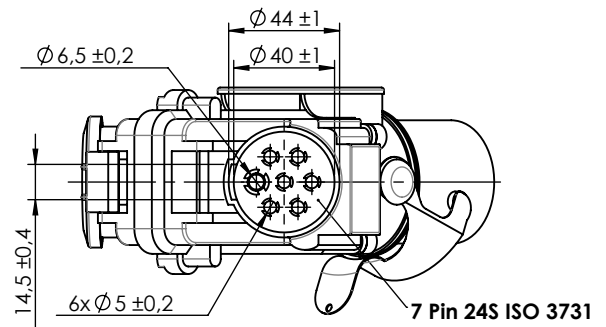
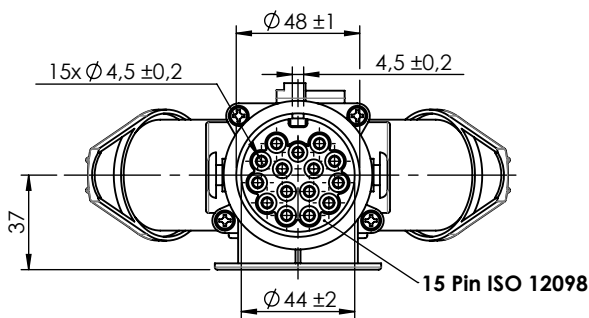


**Technical data/ Datos técnicos:**

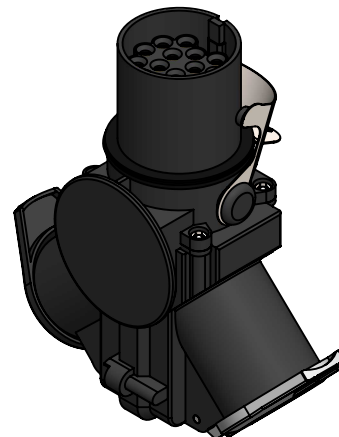
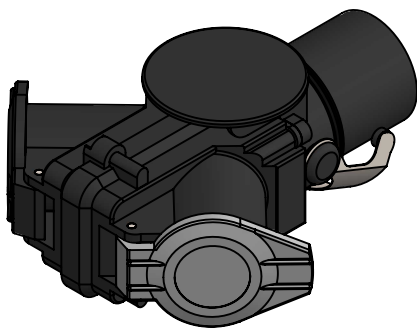
Operating temperature range/ Rango de temperatura:	-40°C to/a 80°C
Weight/ Peso:	465 gr



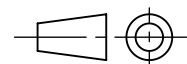
VIEW / VISTA A



VIEW / VISTA B



Modification	4				Drawn	
	3				11/11/20 J.S.	
	2				Checked	
	1				11/11/20 E.L.	
	nº	Modified	Date	Reason	General Tolerance	Assembly
Comments				ISO 2768 c-K	Part name	-
				Material	ID. Reference	Serpentine adapter 15Terminal to 7S/7N truck / Adaptador serpentina 15PIN a 7S/7N tractora
				-	Scale: 1/3	2260110
					Review: 0	Sheet 1/2



1

2

3

4

A

A

Continuity between pins / Continuidad entre pines		
15 Pin ISO 12098	7 Pin 24N ISO 1185 (Black)	7 Pin 24S ISO 3731 (White)
1	5	-
2	3	-
3	-	7
4	1	1
5	6	-
6	2	-
7	4	-
8	-	5
9	-	2, 4
10	7	-
11	-	6
12	-	3
13	-	-
14	-	-
15	-	-

B

B

C

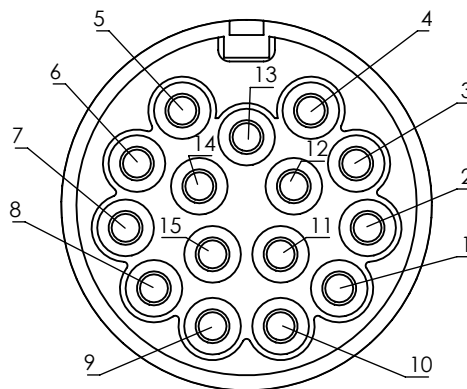
C

D

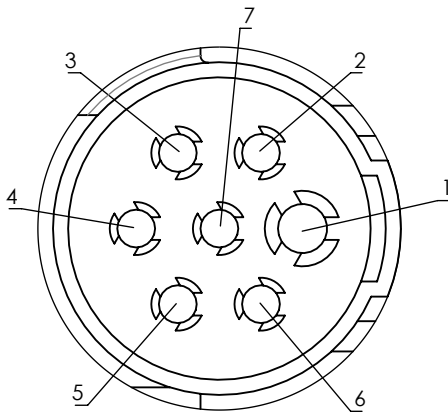
D

E

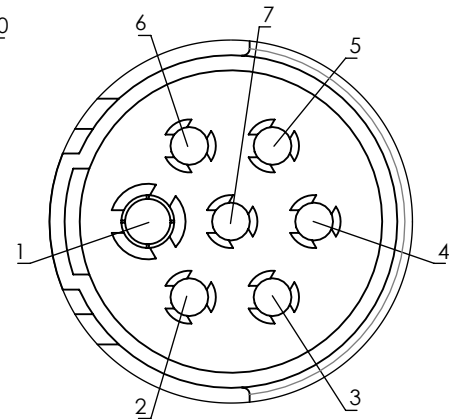
E



15 Pin ISO 12098



7 Pin 24N ISO 1185 (Black)



7 Pin 24S ISO 3731 (White)

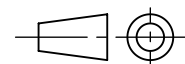
F

F

Modification	4				Drawn
	3				11/11/20 J.S.
	2				Checked
	1				11/11/20 E.L.
nº	Modified	Date	Reason	General Tolerance	Assembly
Comments				ISO 2768 c-K	Part name
				Material	ID. Reference
				-	Scale: 1/1
					Review: 0

Serpentine adapter 15Terminal to 7S/7N truck /  
Adaptador serpentina 15PIN a 7S/7N tractora

2260110

Sheet  
2/2