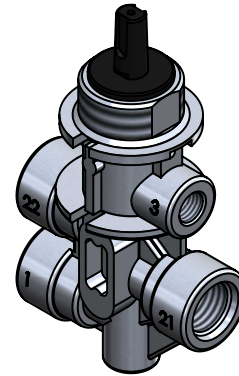
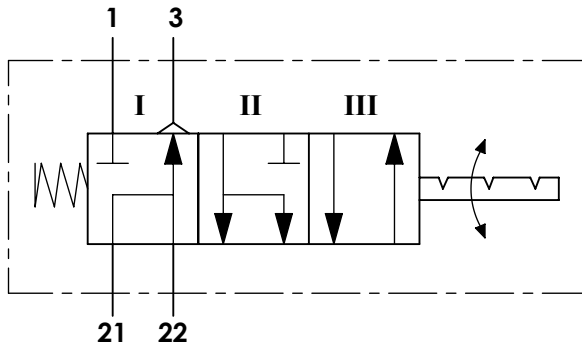


Technical sheet / Datos técnicos:

Part number adaptable to / Referencia adaptable a	4630372010
Operating pressure / Presión de trabajo	max. 10 bar
Permissible medium / Medio de funcionamiento	Air / Aire
Operating temperature range / Rango de temperatura	-25°C to / a +80°C
Weight / Peso	300 gr



Port / Conexión	Function / Función	Thread / Rosca
1	Supply / Alimentación	M16x1,5 VOSS
21	Delivery / Salida	M16x1,5 VOSS
22	Delivery / Salida	M16x1,5 VOSS
3	Exhaust / Escape	M10x1,0

Purpose / Propósito:

To ventilate and to purge operating cylinders. / Ventilar y purgar los cilindros operativos.

Installation requirements / Requisitos para la instalación:

Mounting is accomplished with one nut M28. / El montaje se realiza mediante una tuerca M28.

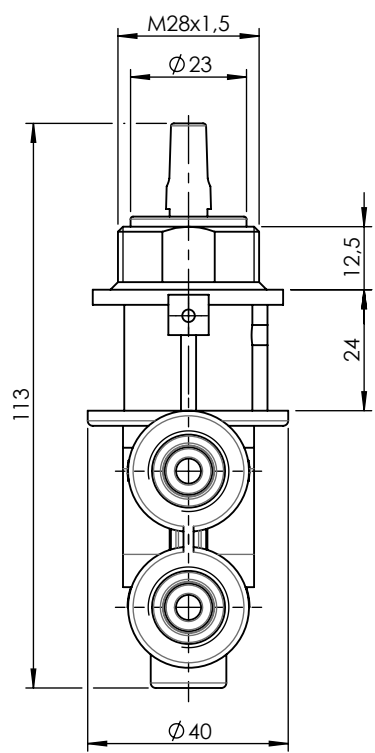
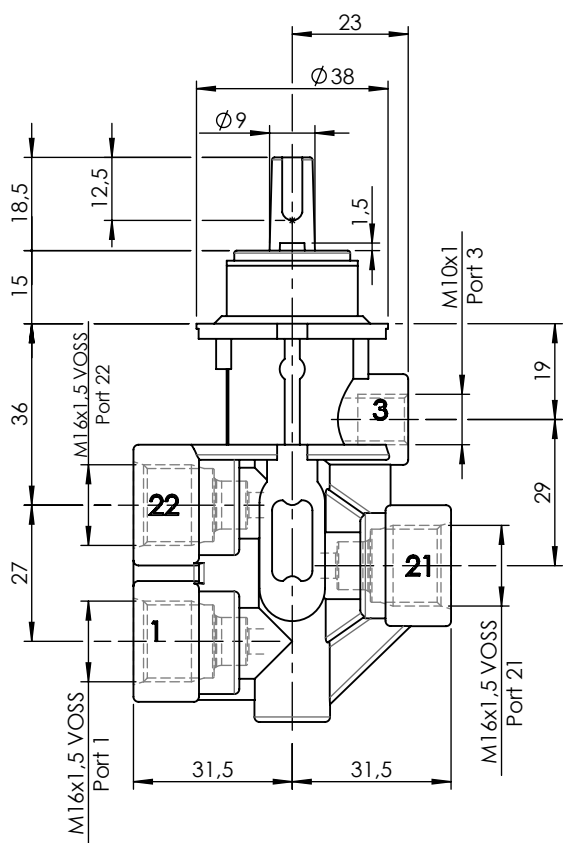
Modification	4				Drawn		
	3				22/01/18 J.S.		
	2				Checked		
	1				22/01/18 O.V.		
F	nº	Modified	Date	Reason	General Tolerance	Assembly	-
	Comments				-	Part name	4/3 ways valve
					Material	ID. Reference	2215220
				-	Scale: -		Sheet 1/2
				-	Review: 0		



1 2 3 4

A

A



B

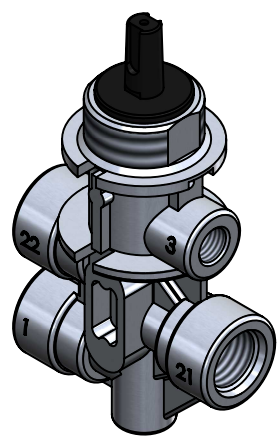
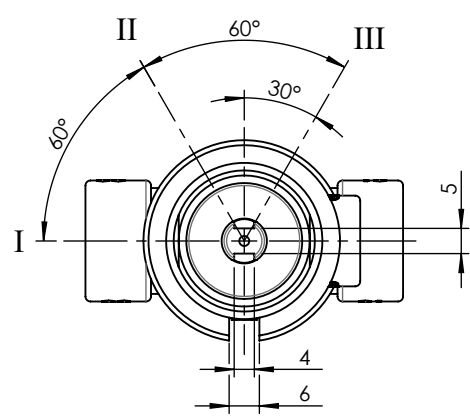
B

C

C

D

D



E

E

F	Modification	4				Drawn		F
		3				22/01/18 J.S.		
		2				Checked		
		1				22/01/18 O.V.		
	nº	Modified	Date	Reason	General Tolerance	Assembly		
Comments					ISO 2768 c-K	Part name	4/3 ways valve	
					Material	ID. Reference	2215220	
					-	Scale: 2/3		Sheet 2/2
					-	Review: 0		