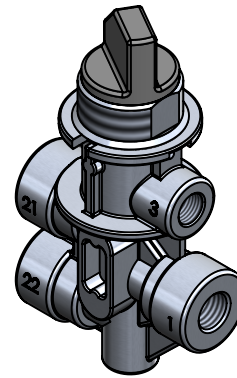
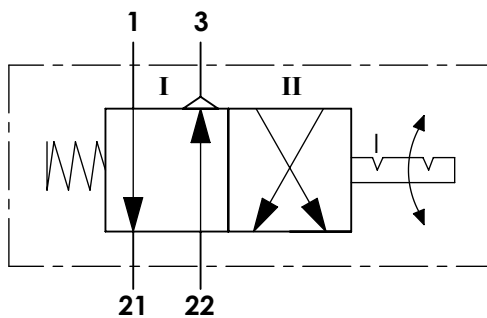


## Technical sheet / Datos técnicos:

Part number adaptable to / Referencia adaptable a	4630371100
Operating pressure / Presión de trabajo	max. 12 bar
Permissible medium / Medio de funcionamiento	Air / Aire
Operating temperature range / Rango de temperatura	-40°C to / a +80°C
Weight / Peso	300 gr



Port / Conexión	Function / Función	Thread / Rosca
1	Supply / Alimentación	M12x1,5
21	Delivery / Salida	M12x1,5
22	Delivery / Salida	M12x1,5
3	Exhaust / Escape	M10x1,0

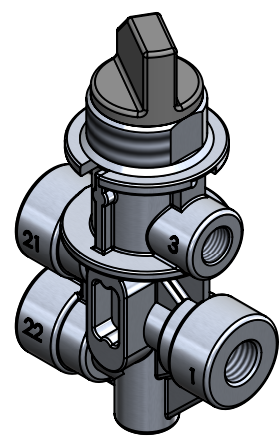
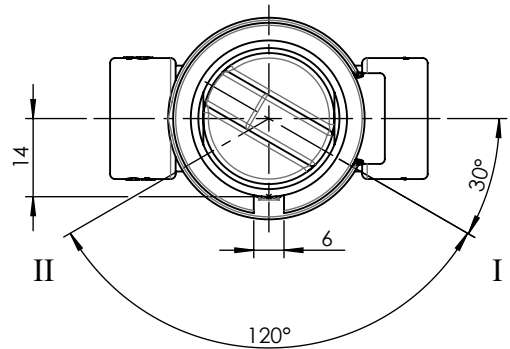
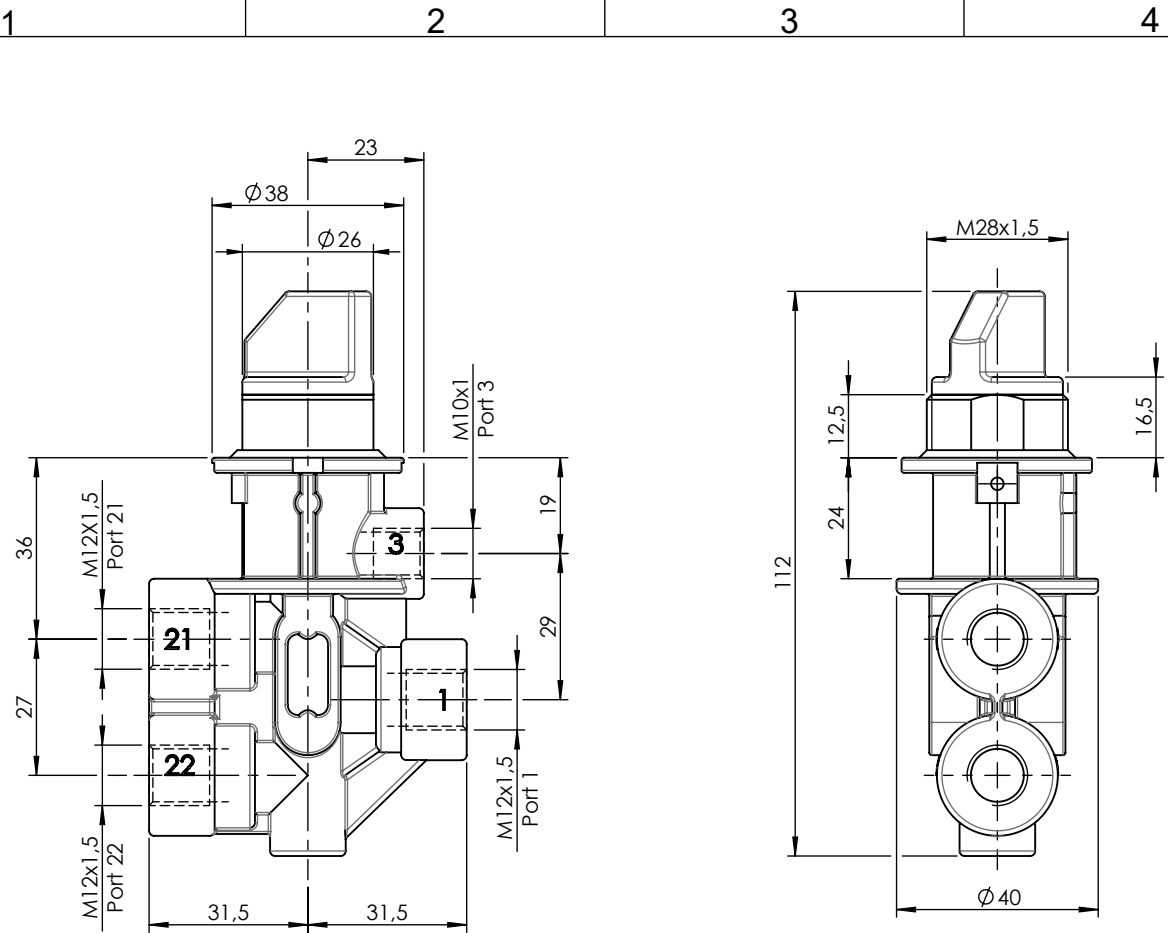
### Purpose / Propósito:

To ventilate and to purge operating cylinders. / Ventilar y purgar los cilindros operativos.

### Installation requirements / Requisitos para la instalación:

Mounting is accomplished with one nut M28. / El montaje se realiza mediante una tuerca M28.

Modification	4				Drawn			
	3				22/01/18 J.S.			
	2				Checked			
	1				22/01/18 O.V.			
F	nº	Modified	Date	Reason	General Tolerance	Assembly	-	
	Comments				-	Part name	4/2 ways valve	
					Material	ID. Reference	2215216	
						Scale: -		Sheet 1/2
						Review: 0		



F	Modification	4				Drawn		F
		3				22/01/18 J.S.		
		2				Checked		
		1				22/01/18 O.V.		
		nº	Modified	Date	Reason	General Tolerance		
	Comments				ISO 2768 c-K	Part name	4/2 ways valve	
					Material	ID. Reference	2215216	
					-	Scale: 2/3		Sheet 2/2
					-	Review: 0		