

1

2

3

4

A

**Technical sheet / Datos técnicos:**

A

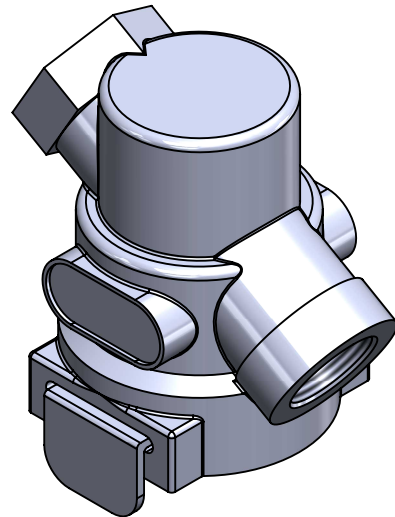
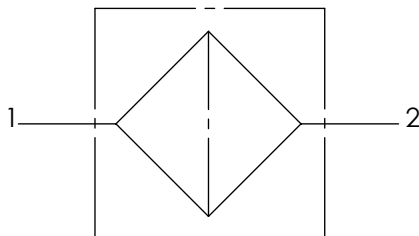
|  |                      |
|--|----------------------|
| Part number adaptable to / Referencia adaptable a  | 4325000030           |
| Working pressure / Presión de trabajo              | max 20 bar           |
| Permissible medium / Medio de funcionamiento       | Air / Aire           |
| Operating temperature range / Rango de temperatura | -40 °C to / a +80 °C |
| Weight / Peso                                      | 270 gr               |

B

B

C

C



D

D

| Port / Conexión | Function / Función    | Thread / Rosca |
|-----------------|-----------------------|----------------|
| 1               | Supply / Alimentación | M22x1.5        |
| 2               | Delivery / Salida     | M22x1.5        |

**Purpose / Propósito:** To protect the pneumatic braking system against dirt. / Proteger el sistema de frenado neumático contra la suciedad.

**Installation requirements / Requisitos para la instalación:** To install the filter in the piping system without being fastened. Make sure there is sufficient space for removing the filter cartridge. / Instalar el filtro en el sistema de tuberías sin fijaciones. Asegurarse de que quede espacio suficiente para retirar el cartucho del filtro.

E

E

F

F

|              |          |      |        |                   |               |               |             |
|--------------|----------|------|--------|-------------------|---------------|---------------|-------------|
| Modification | 4        |      |        |                   | Drawn         |               |             |
|              | 3        |      |        |                   | 22/09/14 A.U. |               |             |
|              | 2        |      |        |                   | Checked       |               |             |
|              | 1        |      |        |                   | 22/09/14 A.L. |               |             |
| nº           | Modified | Date | Reason | General Tolerance | Assembly      | -             |             |
| Comments     |          |      |        |                   | -             | Part name     | Pipe filter |
|              |          |      |        |                   | Material      | ID. Reference | 2204102     |
|              |          |      |        |                   | -             | Scale: -      |             |
|              |          |      |        |                   | -             | Review: 0     |             |

1

2

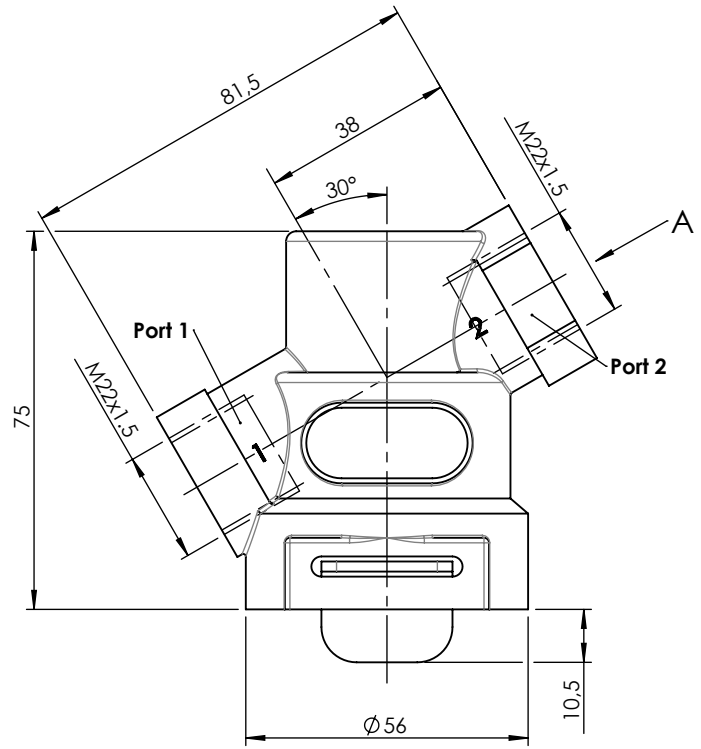
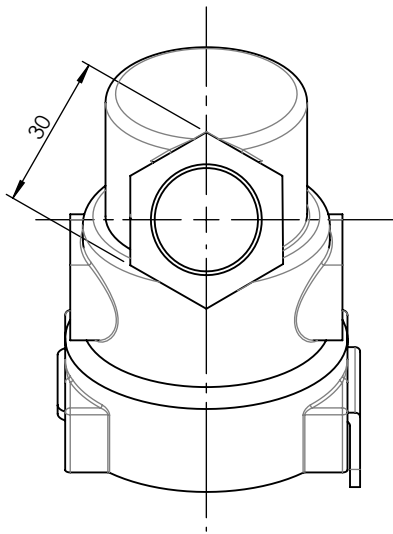
3

4

A

A

VIEW A/ VISTA A



B

B

C

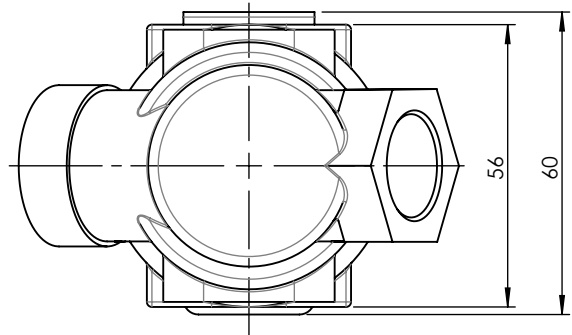
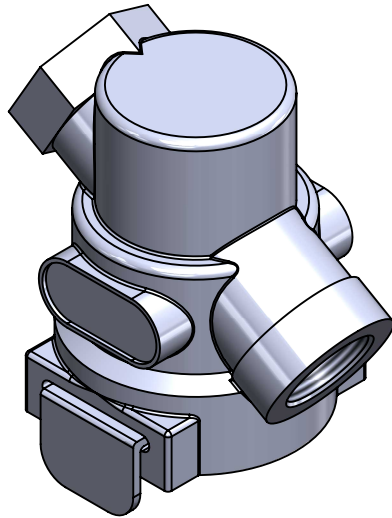
C

D

D

E

E



F

F

|              |          |      |        |                   |               |             |
|--------------|----------|------|--------|-------------------|---------------|-------------|
| Modification | 4        |      |        |                   | Drawn         |             |
|              | 3        |      |        |                   | 22/09/14 A.U. |             |
|              | 2        |      |        |                   | Checked       |             |
|              | 1        |      |        |                   | 22/09/14 A.L. |             |
| nº           | Modified | Date | Reason | General Tolerance | Assembly      |             |
| Comments     |          |      |        | ISO 2768 c-K      | Part name     | Pipe filter |
|              |          |      |        | Material          | ID. Reference | 2204102     |
|              |          |      |        | -                 | Scale: 2/3    |             |
|              |          |      |        | -                 | Review: 0     |             |

Sheet  
2/2